



# WINDROWER

**PICKETT EQUIPMENT**

## **SECTION 5**

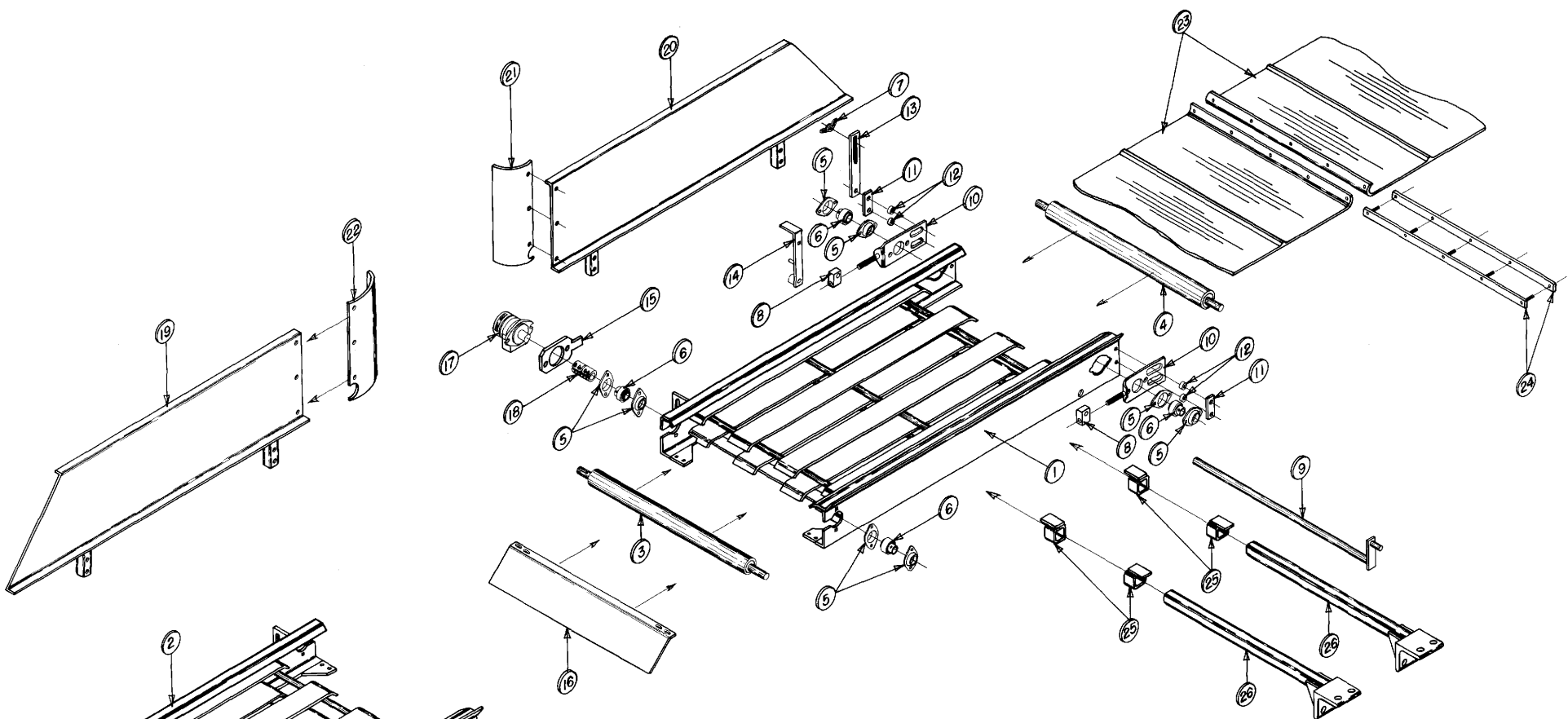
**Center Dump  
Trays**

**Parts Listing  
1995-Present**



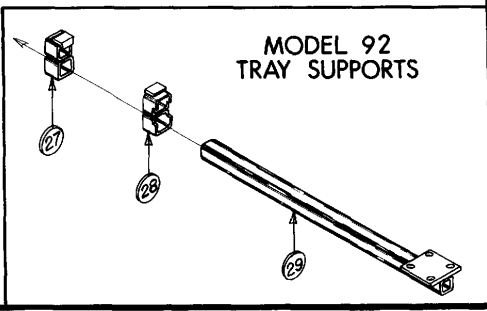
**Pickett Equipment**

976 East Main Street \* Phone: 208-678-0855 \* [www.pickettequipment.com](http://www.pickettequipment.com)  
Burley, Idaho 83318 \* Fax: 208-678-1404 \* [pickett@rvmi.com](mailto:pickett@rvmi.com)



THIS R.H. TRAY USES THE SAME PARTS PACKAGE AS IS SHOWN ON THE L.H. TRAY LAYOUT.

CENTER DUMP ASSEMBLIES



## CENTER DUMP ASSEMBLY 1068 WINDROWER

### (1995–Present) (58” Tray)

#### Parts List

<u>Item No.</u>	<u>Part No.</u>	<u>Description</u>
1.	902234	L.H. Tray
2.	902233	R.H. Tray
3.	901175	Crowned Roller–Keyed
4.	901176	Conveyor Roller–No Key
5.	106013	Flangett, 2-Hole
6.	102005	Bearing, 1” Insert with Lock Collar
7.	106016	Fastener Wing
8.	900313	Swivel Adapter
9.	900386	Crank Tightener
10.	901150	Belt Tightener Bracket
11.	900277	Bearing Bracket Clamp
12.	900498	Bracket Spacer
13.	900199	Belt Tightener
14.	900575	Belt Tightener Lever
15.	900225	Hydraulic Motor Mount
16.	900278	Right End Deflector Tray
17.	113022	Motor, Canvas (MG Series)
18.	103017	Coupler, 1” × 3” Split
19.	902005	R.H. Tray Back
19a.	902285	R.H. Tilted Tray Back (Not Shown)
20.	902004	L.H. Tray Back
20a.	902284	L.H. Tilted Tray Back (Not Shown)
21.	900016	R.H. Deflector Shield
22.	900015	L.H. Deflector Shield
23.	102022	Belt, Center Draper with Bar (114”)
24.	102020	Belt Connector Bar with Bolts
25.	900551	Tray Mount Slide Locks
26.	900583	Tray Support Arm (See Hardware: A,B,C,D)
27.	900231★	Tray Mount Slide Lock–without Notch
28.	900582★	Tray Mount Slide Lock–with Notch
29.	900234★	Tray Support Arm
Not Shown	902236	Complete L.H. Center Dump Tray (hydraulic package not included)
Not Shown	902235	Complete R.H. Center Dump Tray (hydraulic package not included)

★This part is manufactured on a built-to-order basis only. Call Pickett Equipment for availability and lead-time.

This page was  
left blank  
intentionally

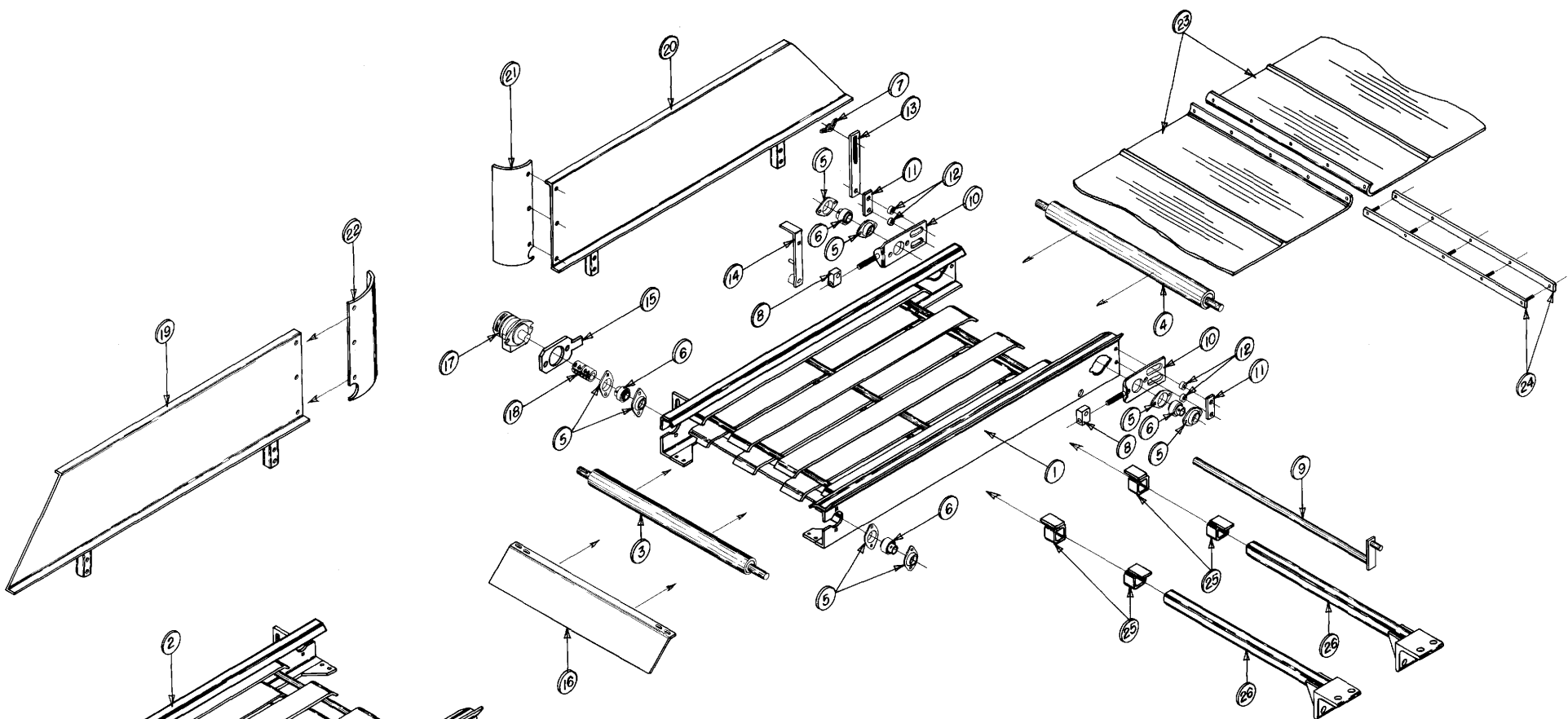
---

## CENTER DUMP ASSEMBLY 1068 WINDROWER

### (1995–Present) (58” Tray)

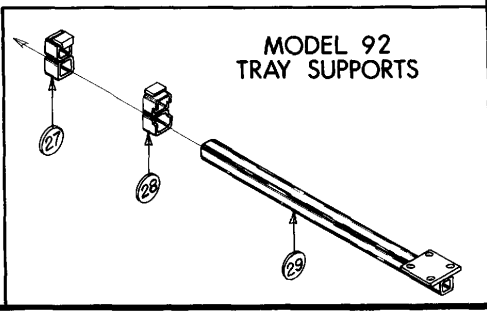
#### Hardware List

<u>Item No.</u>	<u>Part No.</u>	<u>Description</u>
A.	118025	1/2" x 4 1/4" NC Eye Bolt
B.		1/2" x 4 1/2" NC Hex Bolt
C.		1/2" Lock Washer
D.		1/2" NC Hex Nut
E.	121003	U-Bolt, Type D 5/8" x 3" Wide x 4 1/2" Long
F.		5/8" Lock Washer
G.		5/8" NC Hex Nut



THIS R.H. TRAY USES THE SAME PARTS PACKAGE AS IS SHOWN ON THE L.H. TRAY LAYOUT.

CENTER DUMP ASSEMBLIES



## CENTER DUMP ASSEMBLY 1268 WINDROWER

### (1995–Present) (88” Tray)

#### Parts List

<u>Item No.</u>	<u>Part No.</u>	<u>Description</u>
1.	902250	L.H. Tray
2.	902249	R.H. Tray
3.	901175	Crowned Roller–Keyed
4.	901176	Conveyor Roller–No Key
5.	106013	Flangett, 2-Hole
6.	102005	Bearing, 1” Insert with Lock Collar
7.	106016	Fastener Wing
8.	900313	Swivel Adapter
9.	900386	Crank Tightener
10.	901150	Belt Tightener Bracket
11.	900277	Bearing Bracket Clamp
12.	900498	Bracket Spacer
13.	900199	Belt Tightener
14.	900575	Belt Tightener Lever
15.	900225	Hydraulic Motor Mount
16.	900278	Right End Deflector Tray
17.	113022	Motor, Canvas (MG Series)
18.	103017	Coupler, 1” × 3” Split
19.	902057	R.H. Tray Back
19a.	902314	R. H. Tilted Tray Back (Not Shown)
20.	902058	L.H. Tray Back
20a.	902313	L.H. Tilted Tray Back (Not Shown)
21.	900016	R.H. Deflector Shield
22.	900015	L.H. Deflector Shield
23.	102058	Belt, Center Draper with Bar (174”)
24.	102020	Belt Connector Bar with Bolts
25.	900551	Tray Mount Slide Locks
26.	900583	Tray Support Arm (See Hardware: A,B,C,D)
27.	900231*	Tray Mount Slide Lock–without Notch
28.	900582*	Tray Mount Slide Lock–with Notch
29.	900234*	Tray Support Arm (See Hardware: E,F,G)
Not Shown	902252	Complete L.H. Center Dump Tray (hydraulic package not included)
Not Shown	902251	Complete R.H. Center Dump Tray (hydraulic package not included)

\* This part is manufactured on a built-to-order basis only. Call Pickett Equipment for availability and lead-time.

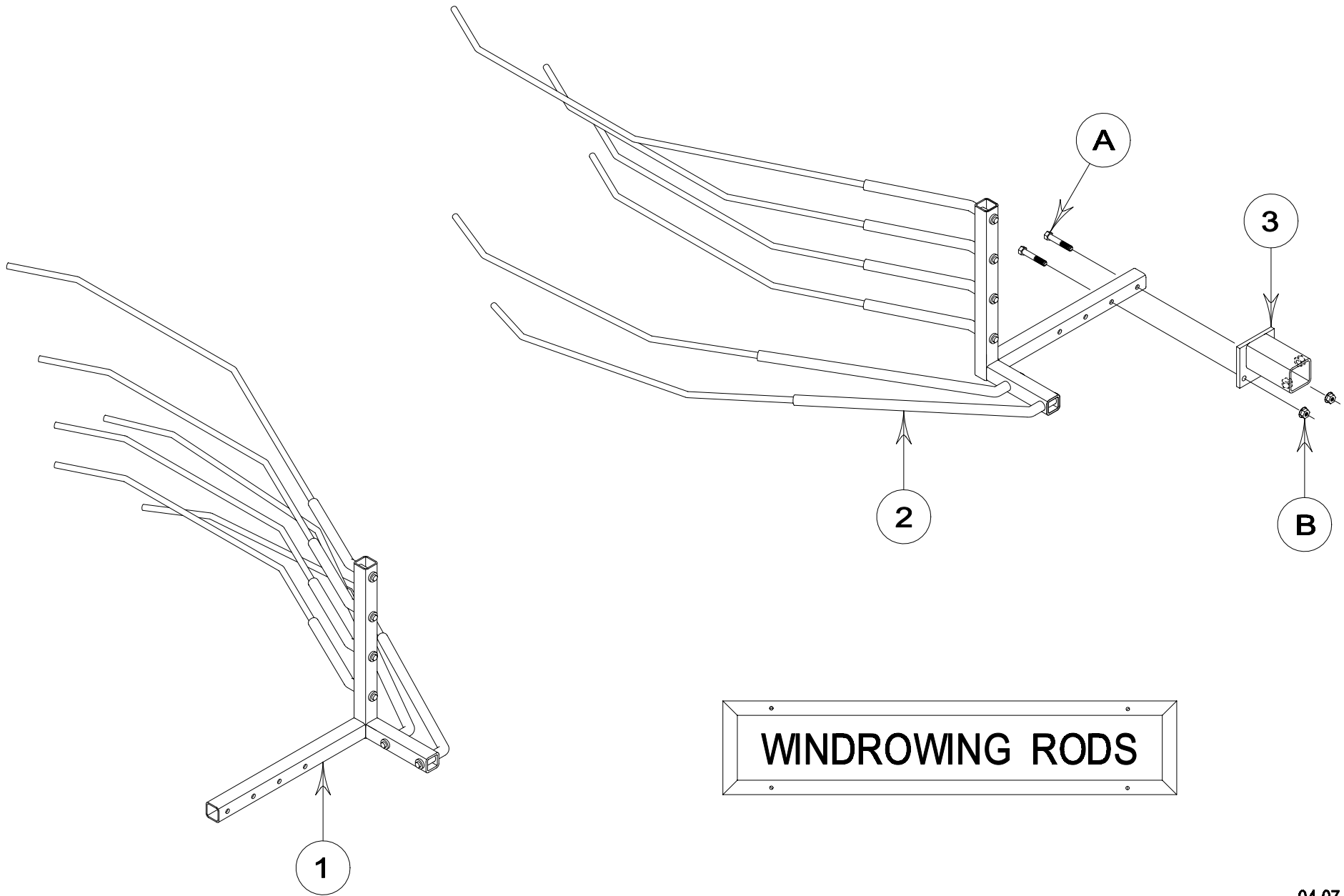
This page was  
left blank  
intentionally



---

**CENTER DUMP ASSEMBLY 1268 WINDROWER****(1995–Present) (88” Tray)****Hardware List**

<u>Item No.</u>	<u>Part No.</u>	<u>Description</u>
A.	118025	1/2" x 4 1/4" NC Eye Bolt
B.		1/2" x 4 1/2" NC Hex Bolt
C.		1/2" Lock Washer
D.		1/2" NC Hex Nut
E.	121003	U-Bolt, Type D 5/8" x 3" Wide x 4 1/2" Long
F.		5/8" Lock Washer
G.		5/8" NC Hex Nut



**WINDROWING RODS**

---

## WINDROWING RODS (1991–Present)

### Parts List

<u>Item No.</u>	<u>Part No.</u>	<u>Description</u>
1.	900395	Center Dump Windrowing Rods, R.H.
2.	900394	Center Dump Windrowing Rods, L.H.
3.	900185	Windrowing Rod Mounts

### Hardware List

<u>Item No.</u>	<u>Part No.</u>	<u>Description</u>
A.		$\frac{7}{16}$ " $\times$ 2 $\frac{1}{2}$ " NC Hex Bolt
B.		$\frac{7}{16}$ " NC Whiz Nut