



WINDROWER

PICKETT EQUIPMENT

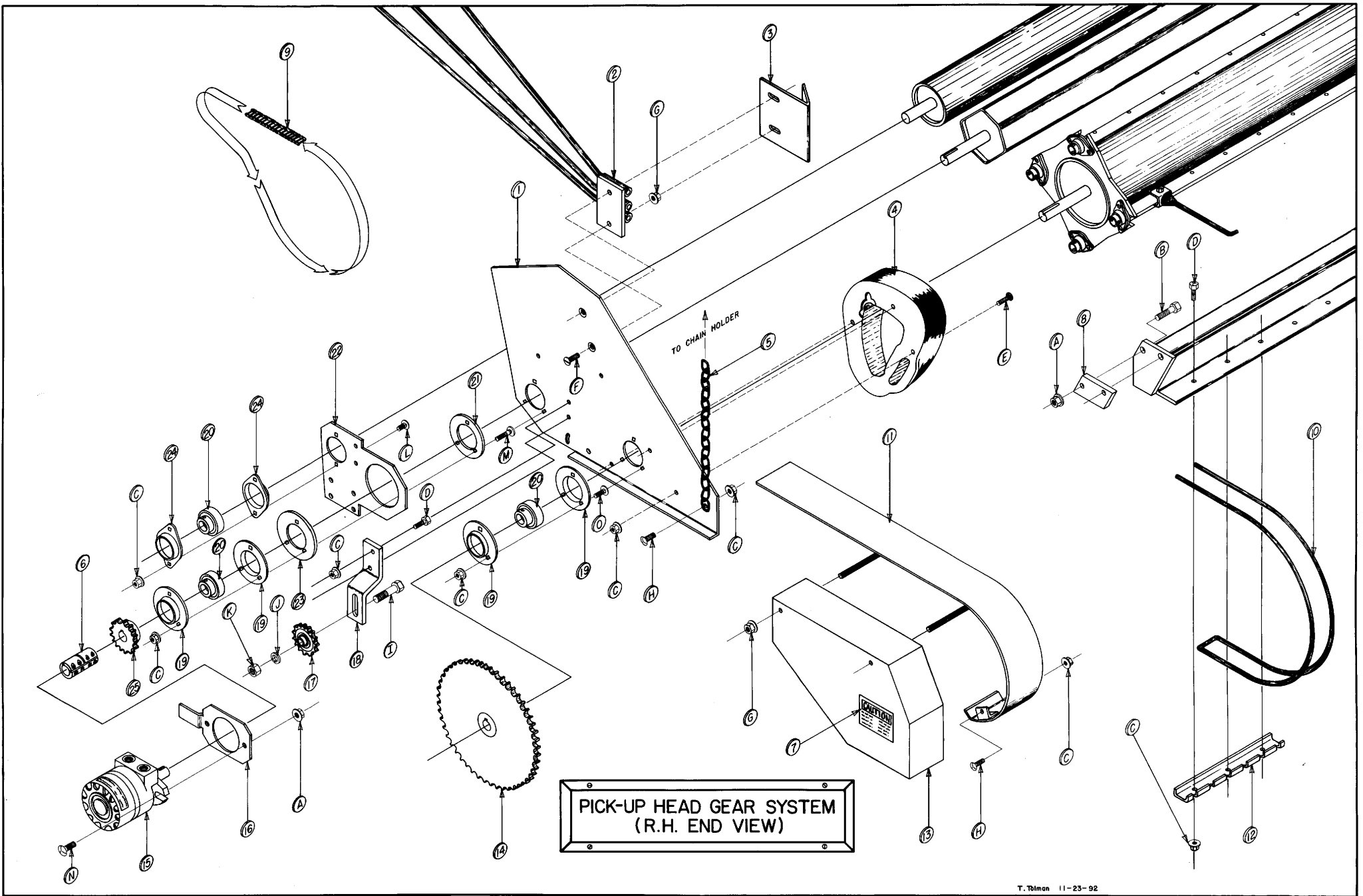
SECTION 3

Pickup Head Layouts Parts Listing 1988-Present



Pickett Equipment

976 East Main Street * Phone: 208-678-0855 * www.pickettequipment.com
Burley, Idaho 83318 * Fax: 208-678-1404 * pickett@rvmi.com



PICK-UP HEAD GEAR SYSTEM
(R.H. END VIEW)

PICKUP HEAD GEAR SYSTEM-RH END VIEW (1988–1998)

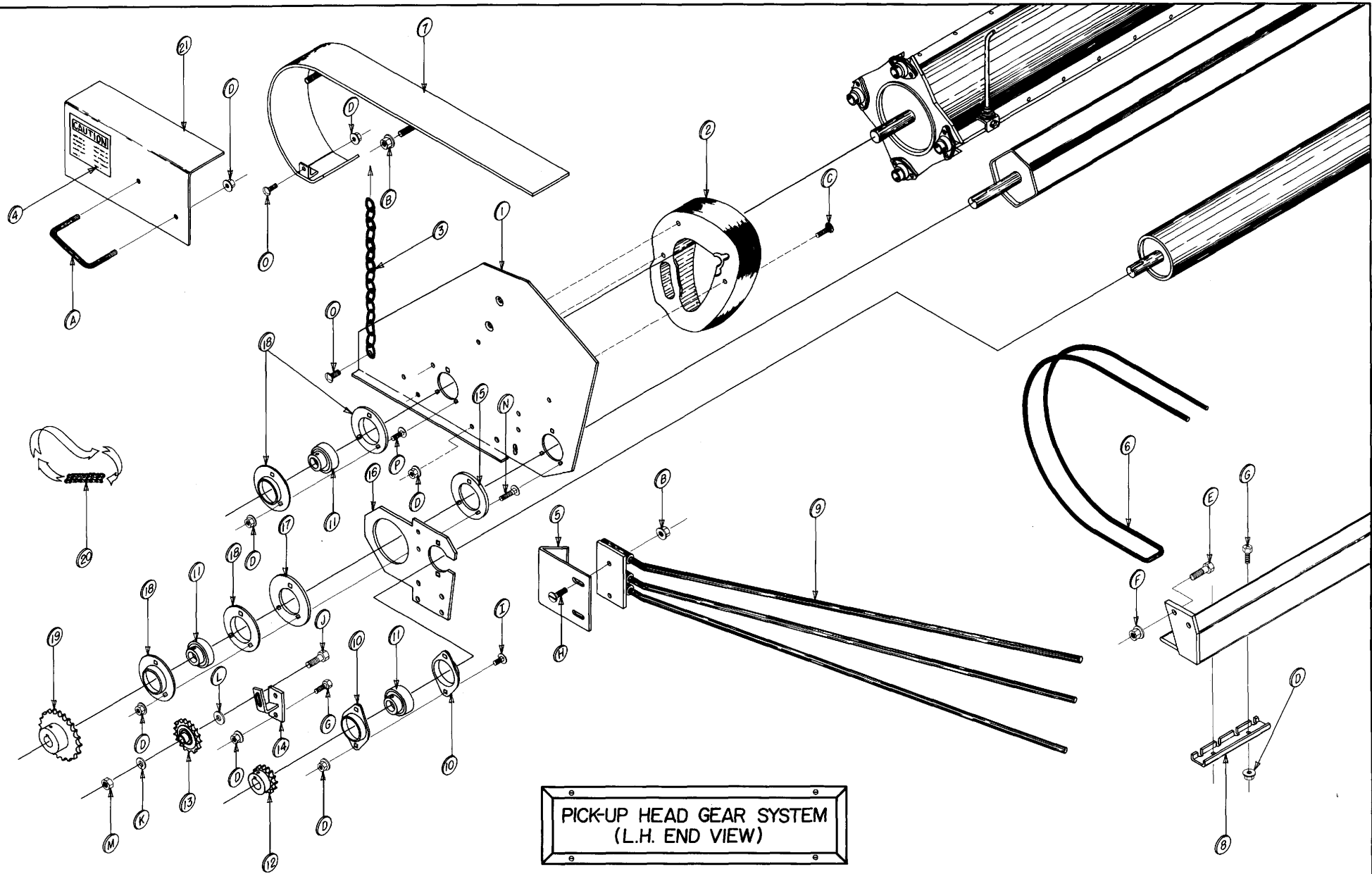
Parts List

<u>Item No.</u>	<u>Part No.</u>	<u>Description</u>
1.	900019-R	R.H. Mounting End Plate
2.	900280-R	R.H. Windrowing Rods (1988-1995) (48")
2a.	901250	R.H. Windrowing Rods (Staggered Lengths) (1996-Present)
3.	900670	Deflector Rod Cover Plate (R.H.)
4.	103001	Cam, R.H. Track (1988–1996)
4a.	103096	Cam Track (Universal) (1997–Present)
5.	103039	3/16" Coil Proof Chain (38 Links)
6.	103017	Coupler, 1" × 3" Split
7.	112003	Warning Label, Chain Guard
8.	900377	1/2" Rotor Rod Mount Spacer
9.	103012	Chain, 50 Roller
10.	118015	Rotor Rod
11.	900414	R.H. Roller Shroud
12.	103023	Clip, Rotor Rod 3-Hole
13.	900316	R.H. Chain Guard
14.	119008	Sprocket, 50BS 60 × 1"
15.	113023	Hydraulic Motor (MF Series)
16.	900635	Hydraulic Motor Mount
17.	119010	Sprocket, Idler 05013E10
18.	900334	50 Idler Gear Mount Bracket
19.	106004	Flangett, 3-Hole
20.	102005	Bearing, 1" Insert with Lock Collar
21.	900570	Hinge Spacer
22.	900573	Hinge Bracket, Slotted
23.	900571	Hinge Lock
24.	106013	Flangett, 2-Hole
25.	119006	Sprocket, 50BS 15 × 1"

This page was
left blank
intentionally

PICKUP HEAD GEAR SYSTEM-RH END VIEW (1988–1998)**Hardware List**

<u>Item No.</u>	<u>Part No.</u>	<u>Description</u>
A.		1/2" NC Whiz Nut
B.		1/2" × 1 1/2" NC Whiz Head Bolt
C.		3/8" NC Whiz Nut
D.		3/8" × 1 1/4" NC Hex Bolt
E.		3/8" × 1 1/2" NC Flat Head Bolt
F.		3/8" × 1 1/4" NC Flat Head Bolt
G.		7/16" NC Whiz Nut
H.		3/8" × 1 1/4" NC Carriage Bolt
I.		5/8" × 2 1/2" NC Carriage Bolt
J.		5/8" Lock Washer
K.		5/8" NC Hex Nut
L.		5/16" × 3/4" NC Carriage Bolt
M.		5/16" × 1 1/2" NC Carriage Bolt
N.		1/2" × 1 1/2" NC Hex Bolt
O.		3/8" × 1" NC Carriage Bolt



PICKUP HEAD GEAR SYSTEM—L.H. END VIEW (1988–1998)

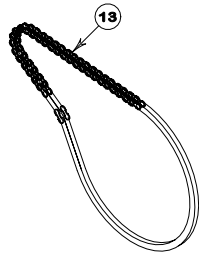
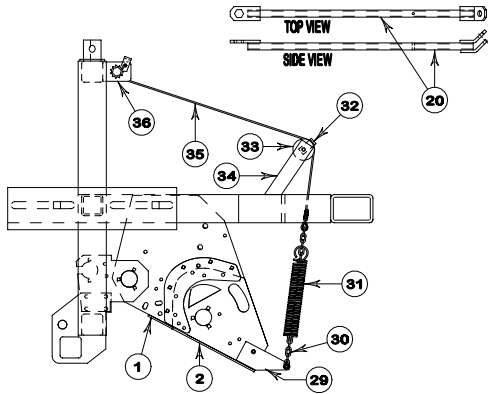
Parts List

<u>Item No.</u>	<u>Part No.</u>	<u>Description</u>
1.	900019-L	L.H. Mounting End Plate
2.	103000	Cam, L.H. Track (1988–1996)
2a.	103096	Cam Track (Universal) (1997–Present)
3.	103039	$\frac{3}{16}$ " Coil Proof Chain (38 Links)
4.	112003	Label, Chain Guard Warning
5.	901503	Deflector Rod Cover Plate (L.H.)
6.	118016	Rotor Rod (Half)
7.	900413	Roller Shroud, L.H.
8.	103024	Clip, Rotor Rod 2-Hole
9.	900280-L	L.H. Deflector Rods (48")
10.	106013	Flangett, 2-Hole
11.	102005	Bearing, 1" insert with Lock Collar
12.	119004	Sprocket, 40BS 15 × 1"
13.	119005	Sprocket, Idler 04017308
14.	900137	40 Idler Gear Mount Bracket
15.	900570	Hinge Spacer
16.	900573	Hinge Bracket—Slotted
17.	900571	Hinge Lock
18.	106004	Flangett, 3-Hole
19.	119003	Sprocket, 40BS 26 × 1"
20.	103007	Chain, Length 38 Links—40 Roller
21.	900320	L.H. Chain Guard

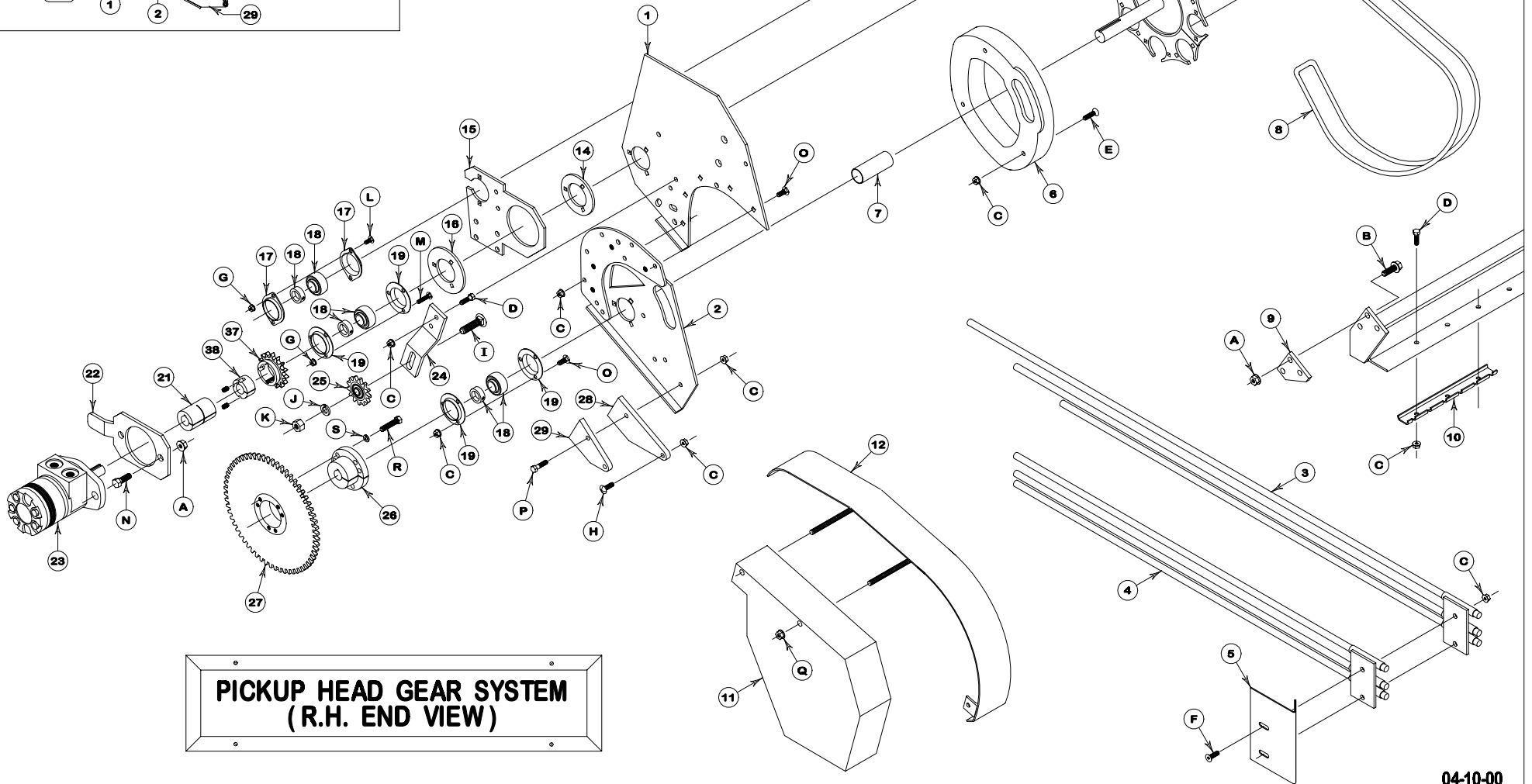
Hardware List

<u>Item No.</u>	<u>Part No.</u>	<u>Description</u>
A.	121007	U-bolt, Type H, $\frac{3}{8}$ " × 4" Wide × 3" Long
B.		$\frac{7}{16}$ " NC Whiz Nut
C.		$\frac{3}{8}$ " × 1½" NC Flat Head Bolt
D.		$\frac{3}{8}$ " NC Whiz Nut
E.		$\frac{1}{2}$ " × 1½" Whiz Head Bolt
F.		$\frac{1}{2}$ " NC Whiz Nut
G.		$\frac{3}{8}$ " × 1¼" NC Hex Bolt
H.		$\frac{3}{8}$ " × 1¼" NC Flat Head Bolt
I.		$\frac{5}{16}$ " × $\frac{3}{4}$ " NC Carriage Bolt
J.		$\frac{1}{2}$ " × 2" NC Carriage Bolt
K.		$\frac{1}{2}$ " Lock Washer
L.		$\frac{1}{2}$ " Flat Washer
M.		$\frac{1}{2}$ " NC Hex Nut
N.		$\frac{5}{16}$ " × 1½" NC Carriage Bolt
O.		$\frac{3}{8}$ " × 1¼" NC Carriage Bolt
P.		$\frac{3}{8}$ " × 1" NC Carriage Bolt

PICKUP HEAD CABLE LIFT SYSTEM



R.H. END



**PICKUP HEAD GEAR SYSTEM
(R.H. END VIEW)**

Pickup Head Gear System (R.H. End View) (1" PUH Bearing) (1998–1999)

Parts List

<u>Item No.</u>	<u>Part No.</u>	<u>Description</u>
1.	901405	R.H. Rear Side Plate
2.	901409	R.H. Front Side Plate (1" PUH Bearing)
3.	901250	R.H. Deflector Rods (use with SE Dump or on discharge end)
4.	900280-R	R.H. Deflector Rods (use with Center Dump or non-discharge end)
5.	900670	R.H. Deflector Rod Cover Plate
6.	103096	Cam Track (Universal)
7.	900709	Spacer, Pickup Head (3 ²⁹ / ₃₂ " lg.)
8.	118015	Rod, Rotor
9.	901411	Spacer, Rotor Rod Mount
10.	103023	Clip, Rotor Rod 3-Hole
11.	900316	R.H. Chain Guard (50)
12.	900414	R.H. Roller Shroud
13.	103012	Chain, 50 Roller (80 Pins)
14.	900570	Hinge Spacer
15.	900573	Hinge Bracket, Slotted
16.	900571	Hinge Lock
17.	106013	Flangett, 2-Hole
18.	102005	Bearing, 1" Insert (w/lock collar)
19.	106004	Flangett, 3-Hole
20.	901475	Pickup Head Tool
21.	103017	Coupler, 1" × 3" Split
22.	900635	Hydraulic Motor Mount
23.	113023	Motor, Hydraulic (MF Series)
24.	900334	50 Idler Sprocket Mount Bracket
25.	119010	Sprocket, Idler (05013E10)
26.	119149	Sprocket, 1" Taper Lock Hub (SK Series Replaces 119008)
27.	119148	Sprocket, 50Q60 Taper Lock (SK Series Replaces 119008)
28.	901482	Chain Connection Plate (inside chain case)
29.	901504	Chain Connection Plate (outside chain case)
30.	103039	3/16" Coil Proof Chain (22 links)
31.	119152	Spring, 10" Pickup Head
32.	200267	Pulley Guard
33.	116010	Steel Pulley
34.	901483	Pulley Arm Plate
35.	103101	3/16" Steel Lift Cable (72")
36.	123021	Winch, Cable (Weld-on)
37.	119166	Sprocket, 50BTB15H Taper-lock Replaces 119006
38.	119163	Bushing, 1210 × 1 KW Taper-lock Replaces 119006
Not Shown	901521	Complete R.H. Side Plate Assembly (1" Bearing) (includes: 901405, 901409, (5) 3/8" × 1" carriage bolts & 3/8" whiz nuts)

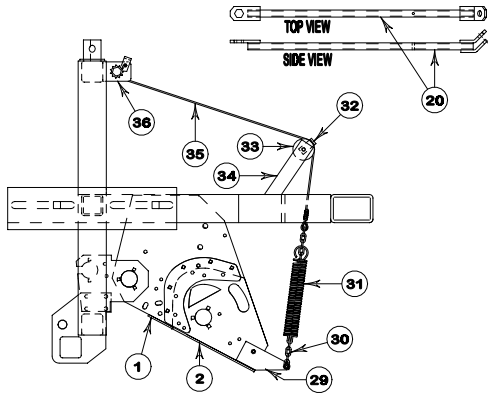
This page was
left blank
intentionally

Pickup Head Gear System (R.H. End View) (1" PUH Bearing) (1998–1999)

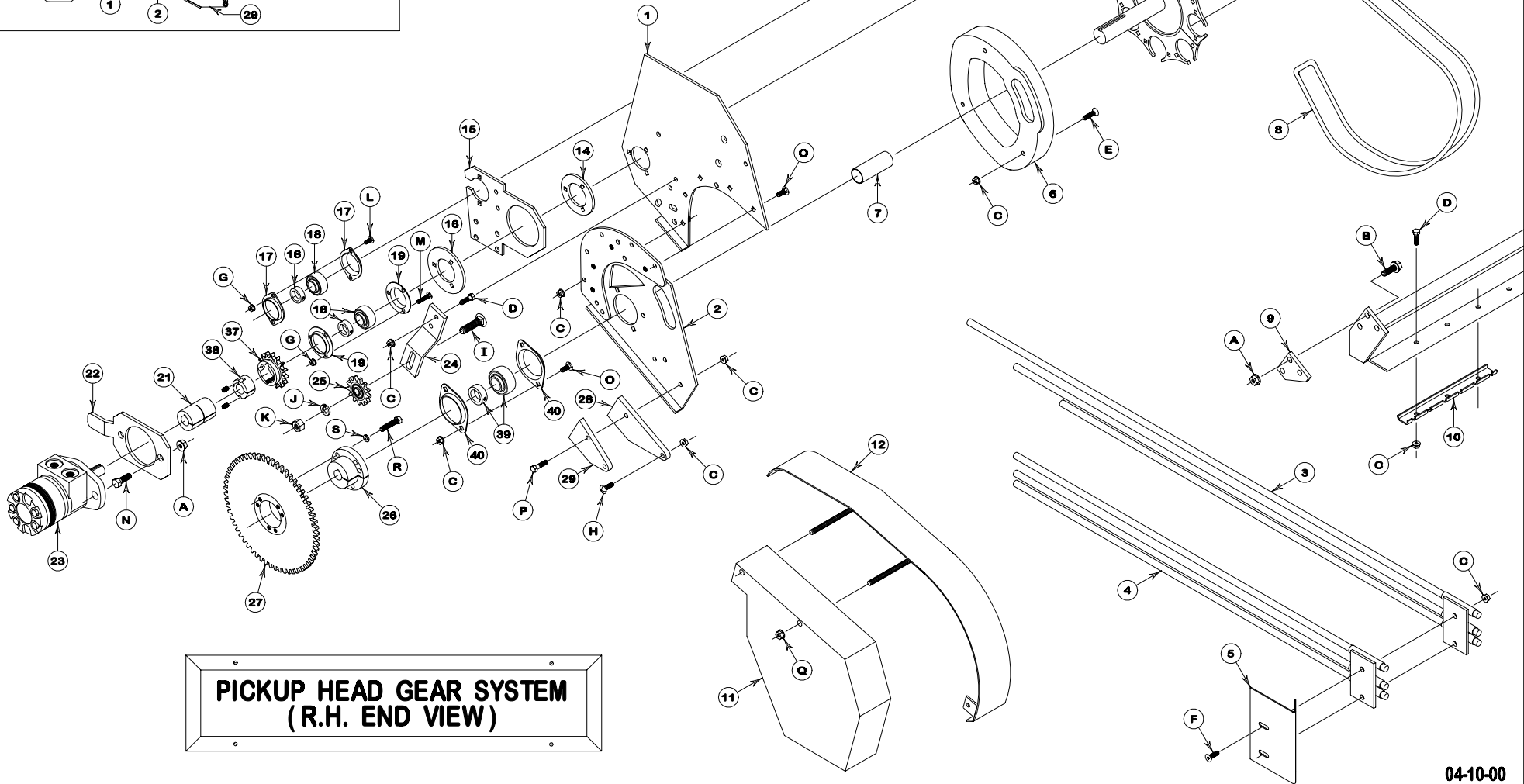
Hardware List

<u>Item No.</u>	<u>Part No.</u>	<u>Description</u>
A.		1/2" NC Whiz Nut
B.		1/2" x 1 1/2" NC Whiz Head Hex Bolt
C.		3/8" NC Whiz Nut
D.		3/8" x 1 1/4" NC Hex Bolt
E.		3/8" x 1 1/2" NC Flat Head Bolt
F.		3/8" x 1 1/4" NC Flat Head Bolt
G.		5/16" NC Whiz Nut
H.		3/8" x 1 1/4" NC Carriage Bolt
I.		5/8" x 2 1/2" NC Carriage Bolt
J.		5/8" Lock Washer
K.		5/8" NC Hex Nut
L.		5/16" x 3/4" NC Carriage Bolt
M.		5/16" x 1 1/2" NC Carriage Bolt
N.		1/2" x 1 1/2" NC Hex Bolt
O.		3/8" x 1" NC Carriage Bolt
P.		3/8" x 1 1/2" NC Hex Bolt
Q.		7/16" NC Whiz Nut
R.		5/16" x 2" NC Hex Bolt
S.		5/16" Lock Washer

PICKUP HEAD CABLE LIFT SYSTEM



R.H. END



**PICKUP HEAD GEAR SYSTEM
(R.H. END VIEW)**

Pickup Head Gear System R.H. End View (1¼" PUH Bearing) 1998–Present

Parts List

<u>Item No.</u>	<u>Part No.</u>	<u>Description</u>
1.	901405	R.H. Rear Side Plate
2.	901480	R.H. Front Side Plate (1¼" PUH Bearing)
3.	901250	R.H. Deflector Rods (use with SE Dump or on discharge end)
4.	900280-R	R.H. Deflector Rods (use with center dump or non-discharge end)
5.	900670	R.H. Deflector Rod Cover Plate
6.	103096	Cam Track (Universal)
7.	901484	Spacer, Pickup Head (3 ²⁹ / ₃₂ " lg.)
8.	118015	Rod, Rotor
9.	901411	Spacer, Rotor Rod Mount
10.	103023	Clip, Rotor Rod 3-Hole
11.	900316	R.H. Chain Guard (50)
12.	900414	R.H. Roller Shroud
13.	103012	Chain, 50 Roller (80 pins)
14.	900570	Hinge Spacer
15.	900573	Hinge Bracket, Slotted
16.	900571	Hinge Lock
17.	106013	Flangett, 2-Hole
18.	102005	Bearing, 1" Insert (w/lock collar)
19.	106004	Flangett, 3-Hole
20.	901475	Pickup Head Tool
21.	103017	Coupler, 1" × 3" Split
22.	900635	Hydraulic Motor Mount
23.	113023	Motor, Hydraulic (MF Series)
24.	900334	50 Idler Sprocket Mount Bracket
25.	119010	Sprocket, Idler (05013E10)
26.	119159	Sprocket, 1¼" Taper Lock Hub (SK Series Replaces 119008)
27.	119148	Sprocket, 50Q60 Taper Lock (SK Series Replaces 119008)
28.	901482	Chain Connection Plate (inside chain case)
29.	901504	Chain Connection Plate (outside chain case)
30.	103039	3/16" Coil Proof Chain (22 links)
31.	119152	Spring, 10" pickup head
32.	200267	Pulley Guard
33.	116010	Steel Pulley
34.	901483	Pulley Arm Plate
35.	103101	3/16" Steel Lift Cable (72")
36.	123021	Winch, Cable (Weld-on)
37.	119166	Sprocket, 50BTB15H Taper-lock Replaces 119006
38.	119163	Bushing, 1210 × 1 KW Taper-lock Replaces 119006
39.	102060	Bearing, 1¼" Insert (w/Lock Collar)
40.	106050	Flangett, 2 Hole (72 MST)

This page was
left blank
intentionally

Pickup Head Gear System R.H. End View (1¼" PUH Bearing) 1998–Present

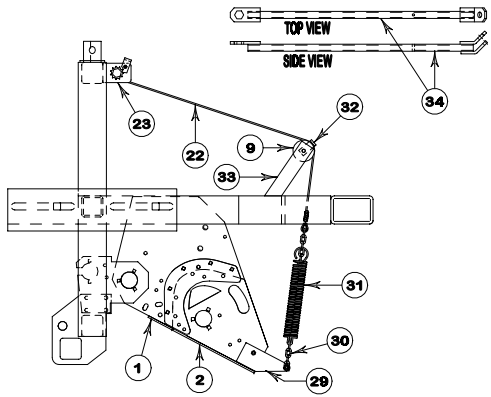
Parts List

<u>Item No.</u>	<u>Part No.</u>	<u>Description</u>
Not Shown	901523	Complete R.H. Side Plate Assembly (1¼" Bearing) (includes: 901405, 901480, (5) 3/8" × 1" Carriage Bolts & 3/8" Whiz Nuts)

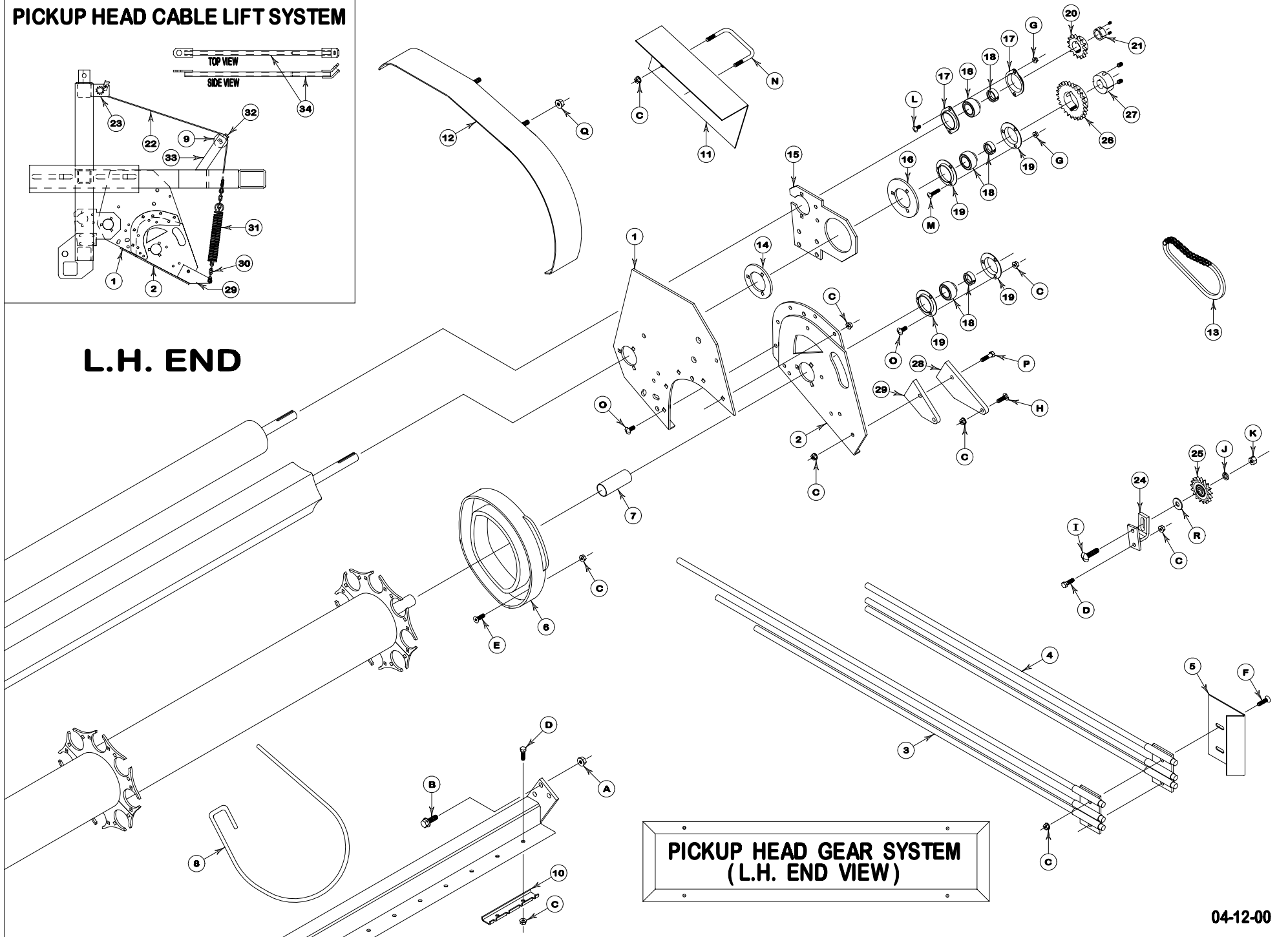
Hardware List

<u>Item No.</u>	<u>Part No.</u>	<u>Description</u>
A.		½" NC Whiz Nut
B.		½" × 1½" NC Whiz Head Hex Bolt
C.		3/8" NC Whiz Nut
D.		3/8" × 1¼" NC Hex Bolt
E.		3/8" × 1½" NC Flat Head Bolt
F.		3/8" × 1¼" NC Flat Head Bolt
G.		5/16" NC Whiz Nut
H.		3/8" × 1¼" NC Carriage Bolt
I.		5/8" × 2½" NC Carriage Bolt
J.		5/8" Lock Washer
K.		5/8" NC Hex Nut
L.		5/16" × ¾" NC Carriage Bolt
M.		5/16" × 1½" NC Carriage Bolt
N.		½" × 1½" NC Hex Bolt
O.		3/8" × 1" NC Carriage Bolt
P.		3/8" × 1½" NC Hex Bolt
Q.		7/16" NC Whiz Nut
R.		5/16" × 2" NC Hex Bolt
S.		5/16" Lock Washer

PICKUP HEAD CABLE LIFT SYSTEM



L.H. END



PICKUP HEAD GEAR SYSTEM (L.H. END VIEW)

Pickup Head Gear System (L.H. End View) (1" PUH Bearing)

(1998-1999)

Parts List

<u>Item No.</u>	<u>Part No.</u>	<u>Description</u>
1.	901406	L.H. Rear Side Plate
2.	901410	L.H. Front Side Plate (1" PUH Bearing)
3.	901251	L.H. Deflector Rods (use with SE Dump or on discharge end)
4.	900280-L	L.H. Deflector Rods (use with center dump or non-discharge end)
5.	901503	L.H. Deflector Rod Cover Plate
6.	103096	Cam Track (Universal)
7.	900709	Spacer, Pickup Head (3 ²⁹ / ₃₂ " lg.)
8.	118016	Rod, Rotor (Half)
9.	116010	Steel pulley
10.	103024	Clip, Rotor Rod 2-Hole
11.	900320	L.H. Chain Guard (40)
12.	900413	L.H. Roller Shroud
13.	103105	Chain, 40 Roller (45 Pitches)
14.	900570	Hinge Spacer
15.	900573	Hinge Bracket, Slotted
16.	900571	Hinge Lock
17.	106013	Flangett, 2-Hole
18.	102005	Bearing, 1" Insert (w/lock collar)
19.	106004	Flangett, 3-Hole
20.	119170	Sprocket, 40BTB17H Taper-lock (Sprocket only) Replaces 119165
21.	119163	Bushing, 1210 x 1 KW Taper-lock (Bushing only) Replaces 119162
22.	103101	3/16" Steel Lift Cable (72")
23.	123021	Winch, Cable (Weld-on)
24.	900137-01	40 Idler Sprocket Mount Bracket (Replaces 900137)
25.	119005	Sprocket, Idler (04017308)
26.	119169	Sprocket, 40BTB30H Taper-lock (Sprocket only) Replaces 119167
27.	119164	Bushing, 1610 x 1 KW Taper-lock (Bushing only) Replaces 119003
28.	901482	Chain Connection Plate (inside chain case)
29.	901504	Chain Connection Plate (outside chain case)
30.	103039	3/16" Coil Proof Chain (22 links)
31.	119152	Spring, 10" pickup head
32.	200267	Pulley Guard
33.	901483	Pulley Arm Plate
34.	901475	Pickup Head Tool
Not Shown	901522	Complete L.H. Side Plate Assembly (1" Bearing) (Includes: 901406, 901410, (5) 3/8" x 1" carriage bolts & 3/8" whiz nuts)

This page was
left blank
intentionally

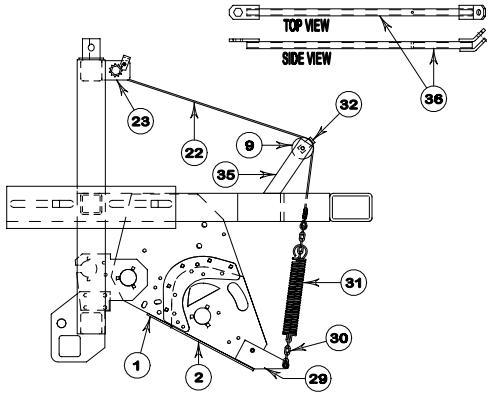
Pickup Head Gear System (L.H. End View) (1" PUH Bearing)

(1998-1999)

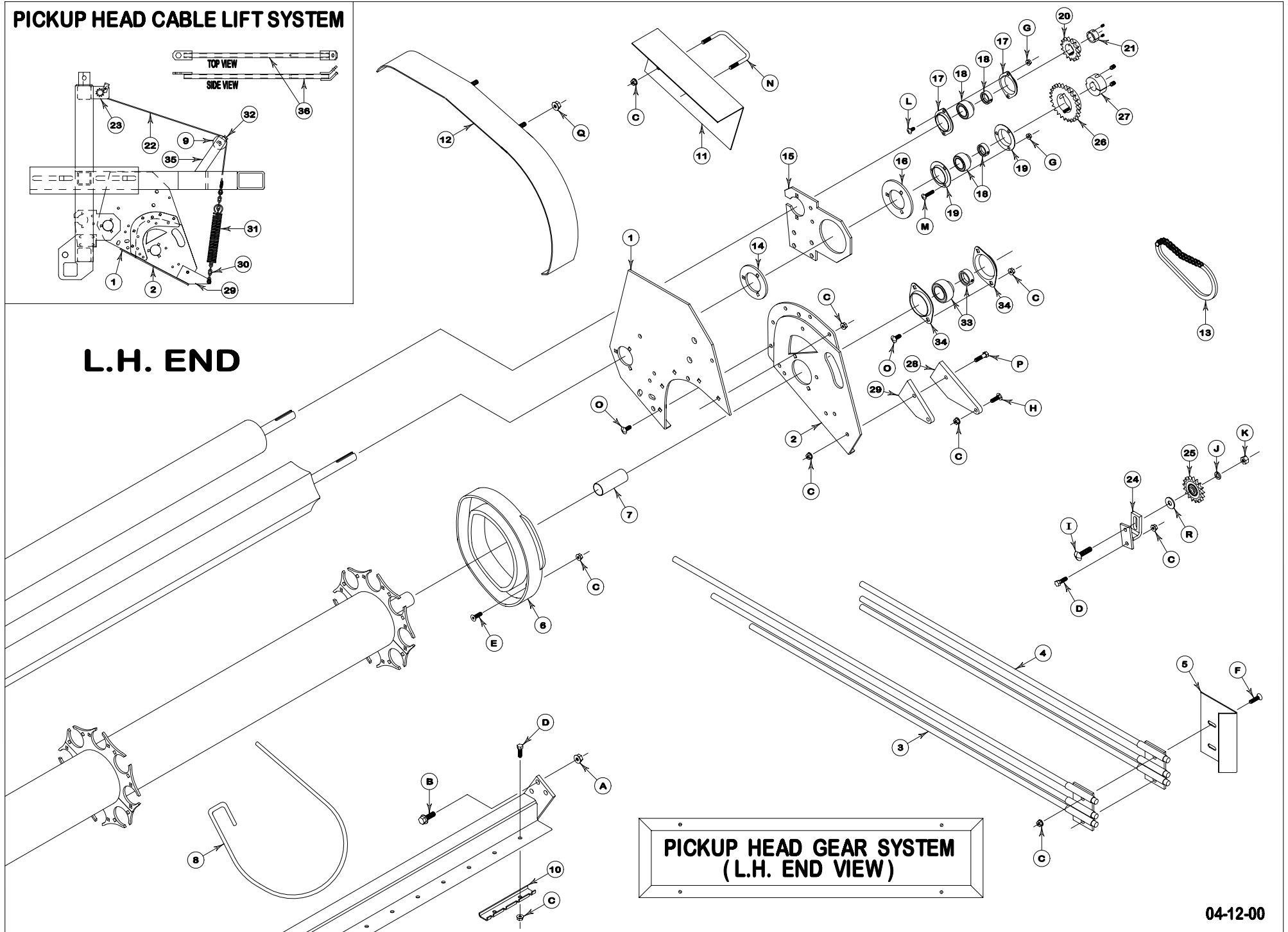
Hardware List

<u>Item No.</u>	<u>Part No.</u>	<u>Description</u>
A.		1/2" NC Whiz Nut
B.		1/2" x 1 1/2" NC Whiz Head Hex Bolt
C.		3/8" NC Whiz Nut
D.		3/8" x 1 1/4" NC Hex Bolt
E.		3/8" x 1 1/2" NC Flat Head Bolt
F.		3/8" x 1 1/4" NC Flat Head Bolt
G.		5/16" NC Whiz Nut
H.		3/8" x 1 1/4" NC Carriage Bolt
I.		1/2" x 2" NC Carriage Bolt
J.		1/2" Lock Washer
K.		1/2" NC Hex Nut
L.		5/16" x 3/4" NC Carriage Bolt
M.		5/16" x 1 1/2" NC Carriage Bolt
N.	121007	U-Bolt, Type H (3/8" x 4" Wide x 3" Long)
O.		3/8" x 1" NC Carriage Bolt
P.		3/8" x 1 1/2" NC Hex Bolt
Q.		7/16" NC Whiz Nut
R.		1/2" Flat Washer

PICKUP HEAD CABLE LIFT SYSTEM



L.H. END



**PICKUP HEAD GEAR SYSTEM
(L.H. END VIEW)**

Pickup Head Gear System L.H. End View (1¼" PUH Bearing)

1998–Present

Parts List

<u>Item No.</u>	<u>Part No.</u>	<u>Description</u>
1.	901406	L.H. Rear Side Plate
2.	901481	L.H. Front Side Plate (1¼" PUH Bearing)
3.	901251	L.H. Deflector Rods (use with SE Dump or on discharge end)
4.	900280-L	L.H. Deflector Rods (use with center dump or non-discharge end)
5.	901503	L.H. Deflector Rod Cover Plate
6.	103096	Cam Track (Universal)
7.	901484	Spacer, Pickup Head (3 ²⁹ / ₃₂ " lg.)
8.	118016	Rod, Rotor (Half)
9.	116010	Steel pulley
10.	103024	Clip, Rotor Rod 2-Hole
11.	900320	L.H. Chain Guard (40)
12.	900413	L.H. Roller Shroud
13.	103105	Chain, 40 Roller (45 Pitches)
14.	900570	Hinge Spacer
15.	900573	Hinge Bracket, Slotted
16.	900571	Hinge Lock
17.	106013	Flangett, 2-Hole
18.	102005	Bearing, 1" Insert (w/lock collar)
19.	106004	Flangett, 3-Hole
20.	119170	Sprocket, 40BTB17H Taper-lock (Sprocket only) Replaces 119165
21.	119163	Bushing, 1210 × 1 KW Taper-lock (Bushing only) Replaces 119162
22.	103101	3/16" Steel Lift Cable (72")
23.	123021	Winch, Cable (Weld-on)
24.	900137-01	40 Idler Sprocket Mount Bracket (Replaces 900137)
25.	119005	Sprocket, Idler (04017308)
26.	119169	Sprocket, 40BTB30H Taper-lock (Sprocket only) Replaces 119167
27.	119164	Bushing, 1610 × 1 KW Taper-lock (Bushing only) Replaces 119003
28.	901482	Chain Connection Plate (inside chain case)
29.	901504	Chain Connection Plate (outside chain case)
30.	103039	3/16" Coil Proof Chain (22 links)
31.	119152	Spring, 10" pickup head
32.	200267	Pulley Guard
33.	102060	Bearing, 1¼" Insert (w/lock collar)
34.	106050	Flangett, 2-Hole (72 MST)
35.	901483	Pulley Arm Plate
36.	901475	Pickup Head Tool
Not Shown	901524	Complete L.H. Side Plate Assembly (1¼" Bearing) (Includes: 901406, 901481, (5) 3/8" × 1" Carriage Bolts & 3/8" whiz nuts)

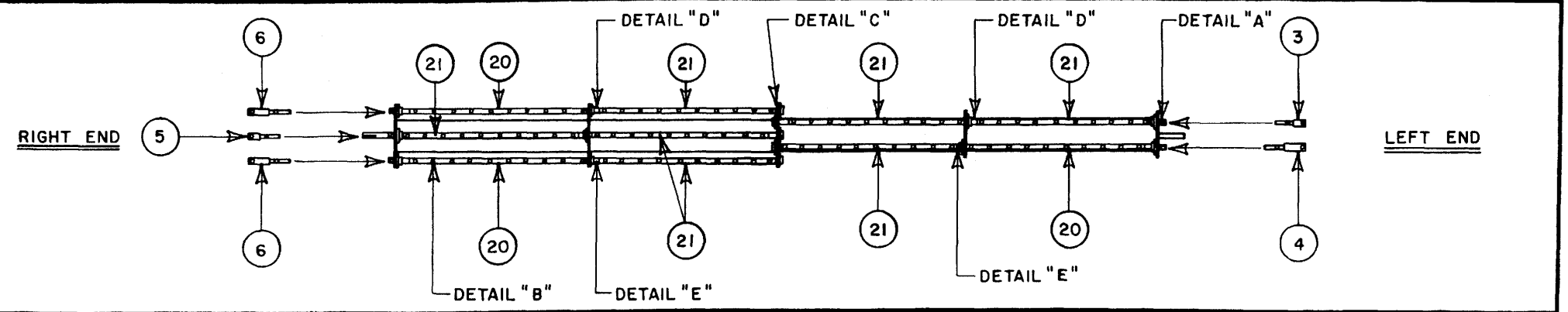
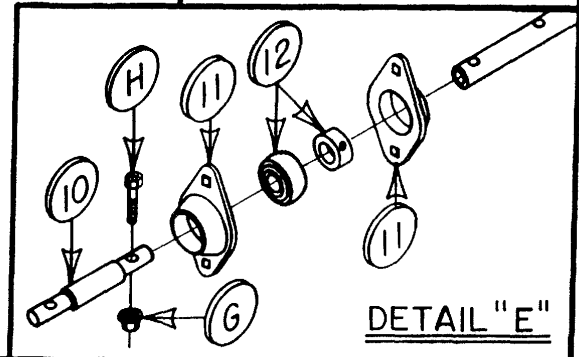
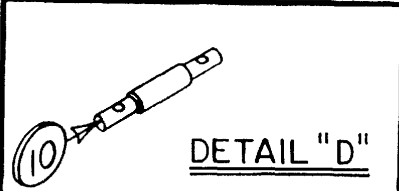
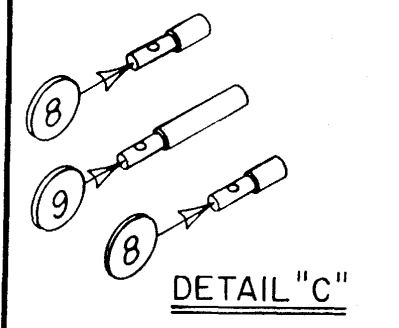
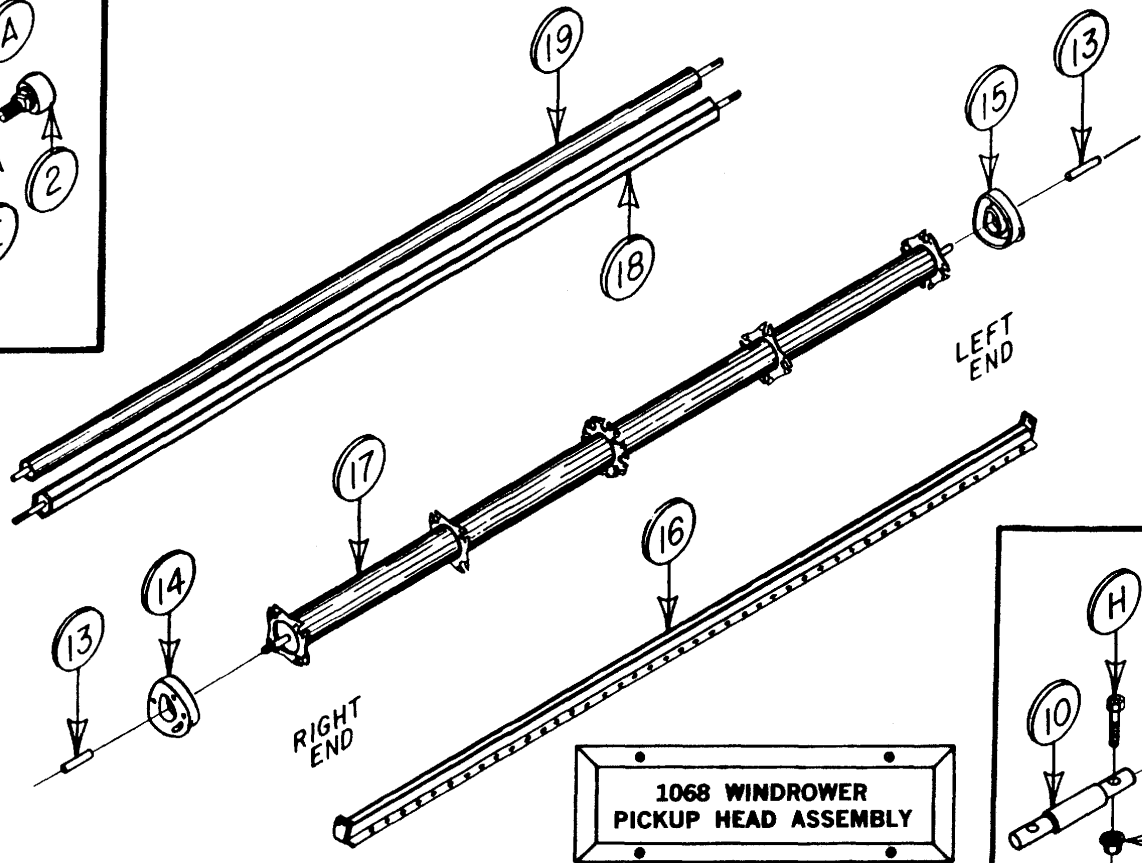
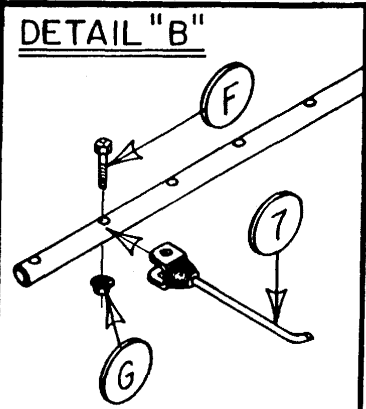
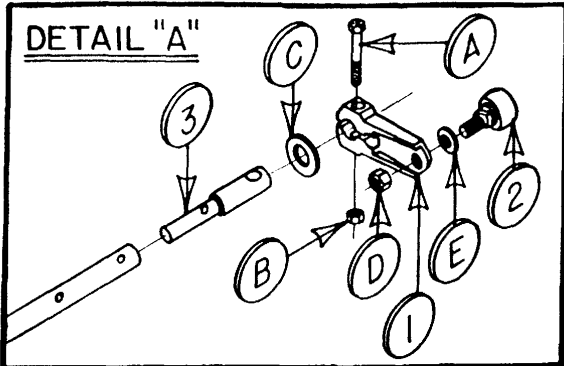
This page was
left blank
intentionally

Pickup Head Gear System L.H. End View (1¼" PUH Bearing)

1998–Present

Hardware List

<u>Item No.</u>	<u>Part No.</u>	<u>Description</u>
A.		½" NC Whiz Nut
B.		½" × 1½" NC Whiz Head Hex Bolt
C.		¾" NC Whiz Nut
D.		¾" × 1¼" NC Hex Bolt
E.		¾" × 1½" NC Flat Head Bolt
F.		¾" × 1¼" NC Flat Head Bolt
G.		5/16" NC Whiz Nut
H.		¾" × 1¼" NC Carriage Bolt
I.		½" × 2" NC Carriage Bolt
J.		½" Lock Washer
K.		½" NC Hex Nut
L.		5/16" × ¾" NC Carriage Bolt
M.		5/16" × 1½" NC Carriage Bolt
N.	121007	U-Bolt, Type H (¾" × 4" Wide × 3" Long)
O.		¾" × 1" NC Carriage Bolt
P.		¾" × 1½" NC Hex Bolt
Q.		7/16" NC Whiz Nut
R.		½" Flat Washer



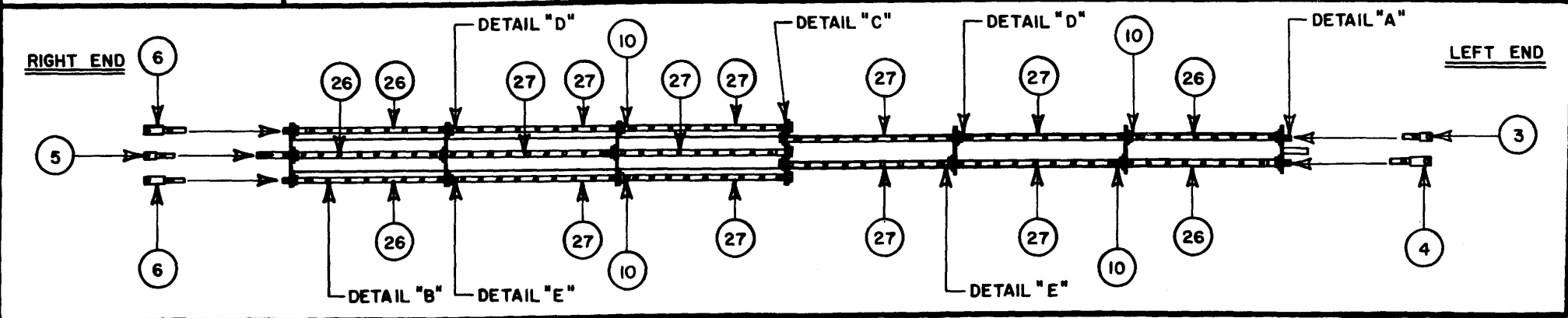
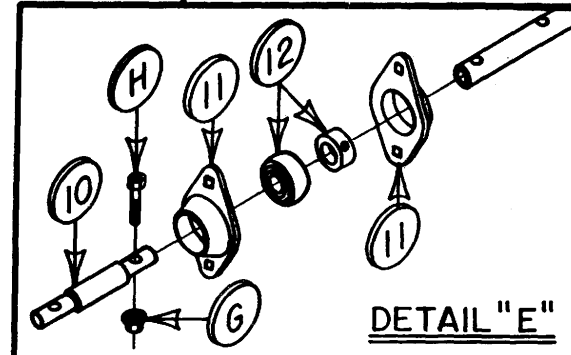
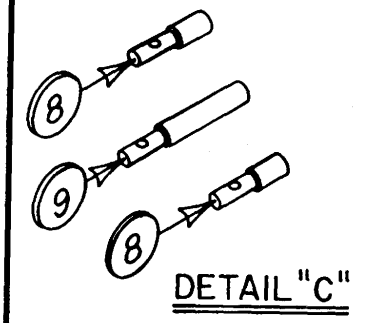
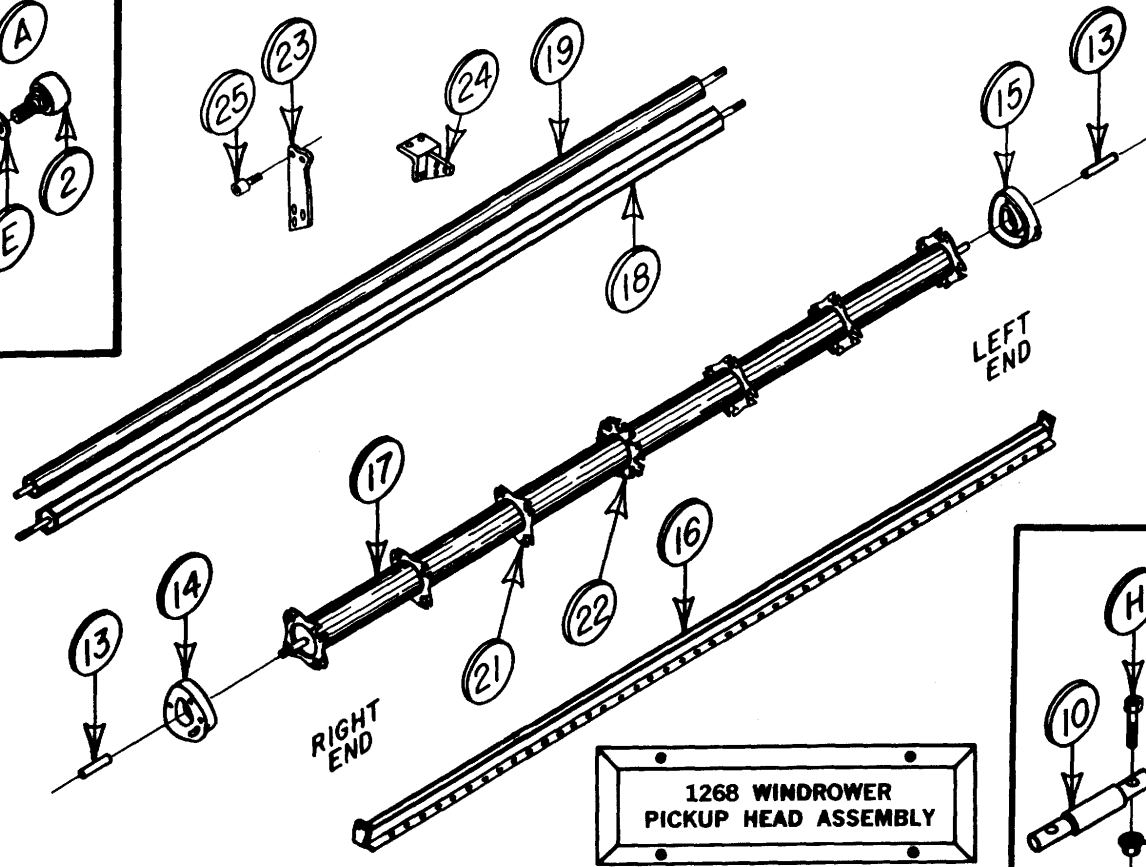
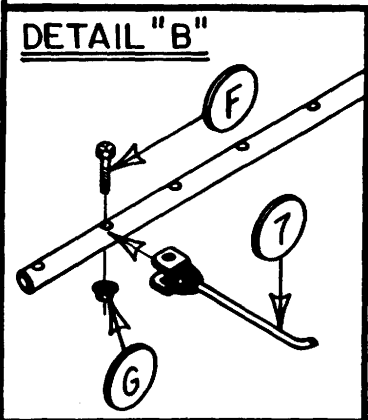
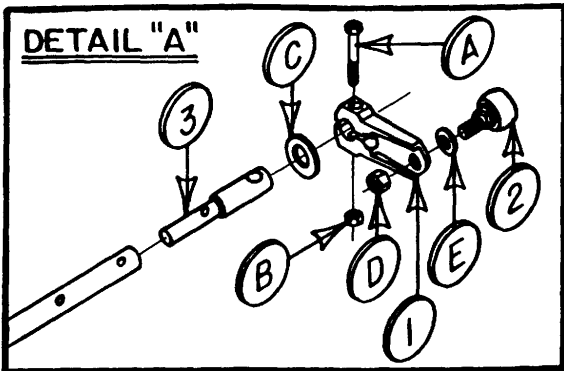
PICKUP HEAD ASSEMBLY—1068 WINDROWER (1994–1996)

PARTS LIST

<u>Item No.</u>	<u>Part No.</u>	<u>Description</u>
1.	103044	Cam Arm
2.	102015	Bearing, Cam Arm
3.	119070	Shaft, L.H. Short Finger Rod Stub
4.	119068	Shaft, L.H. Long Finger Rod Stub
5.	119071	Shaft, R.H. Short Finger Rod Stub
6.	119069	Shaft, R.H. Long Finger Rod Stub
7.	106000	Finger, Rubberized—172 Per machine
8.	900859	Center Spider Stub Shaft—Short
9.	900858	Center Spider Stub Shaft—Long
10.	900857	Coupler, Finger Rod
11.	106013	Flangett, 2-Hole
12.	102005	Bearing, 1" Insert with Lock Collar
13.	900709	Spacer, Pickup Head
14.	103001	Cam, R.H. Track
15.	103000	Cam, L.H. Track
16.	900203	Rotor Rod Mount
17.	900868	Pickup Tube with 5 Spiders
18.	900401	Hex Roller
19.	900402	4" Roller
20.	900866	Finger Rod, 37 ³ / ₈ "—4 Required per P.U.H.
21.	900867	Finger Rod, 41 ³ / ₈ "—12 Required per P.U.H.
Not Shown	900869	Complete Pickup Head Assembly
Not Shown	900860	Two-Hole End Spider (sold in pairs)
Not Shown	900861	Four-Hole Center Spider (sold in pairs)

Hardware List

<u>Item No.</u>	<u>Part No.</u>	<u>Description</u>
A.		7/16" × 3" NC Hex Bolt—grade 8
B.		7/16" NC Nyloc Hex Nut
C.		1" SAE Flat Washer
D.		5/8" NF Jam Nut
E.		5/8" Shim Washer
F.		5/16" × 1½" NC Hex Bolt—grade 5 (for use on fingers only)
G.		5/16" NC Whiz Nut
H.		5/16" × 1½" NC Hex Bolt—grade 8 (for use on all couplers and stub shafts)



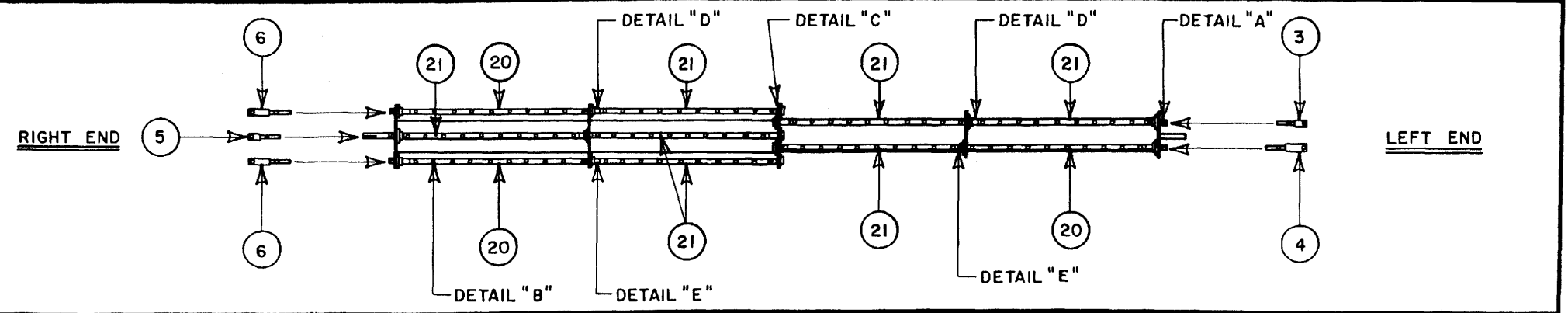
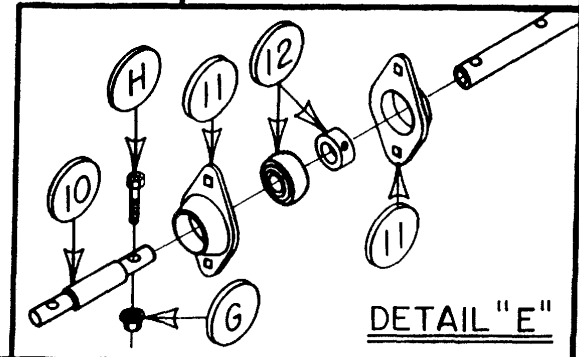
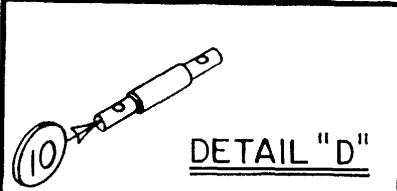
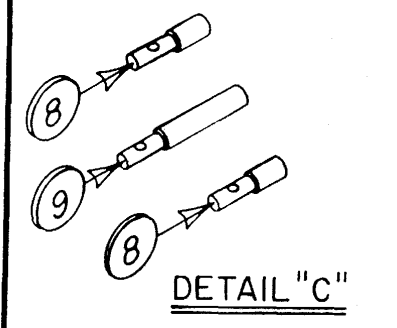
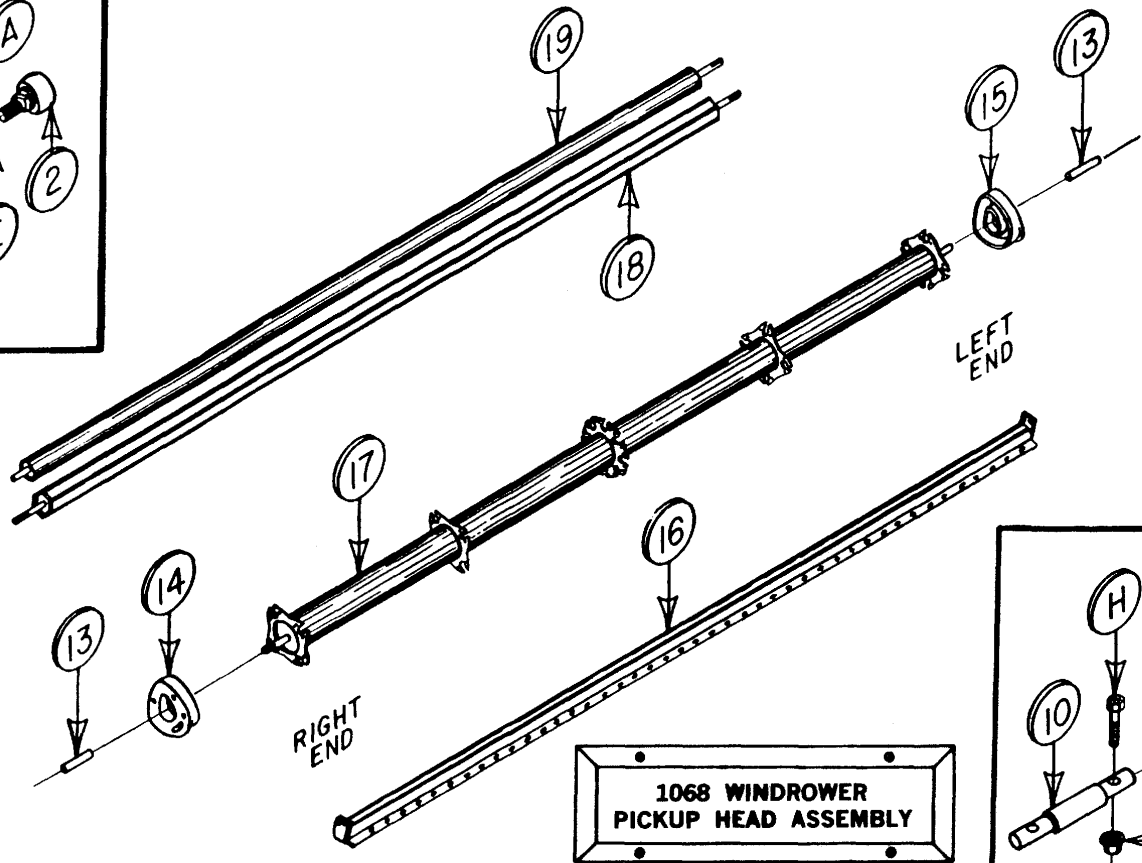
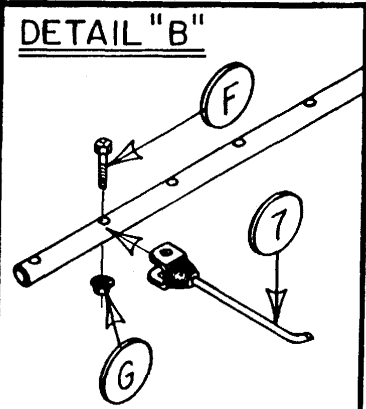
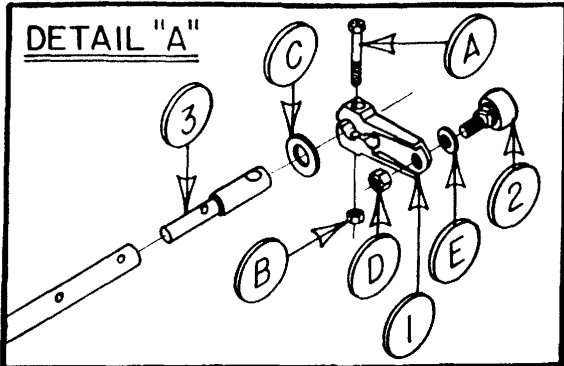
PICKUP HEAD ASSEMBLY–1268 WINDROWER (1994–1996)

Parts List

<u>Item No.</u>	<u>Part No.</u>	<u>Description</u>
1.	103044	Cam Arm
2.	102015	Bearing, Cam Arm
3.	119070	Shaft, L.H. Short Finger Rod Stub
4.	119068	Shaft, L.H. Long Finger Rod Stub
5.	119071	Shaft, R.H. Short Finger Rod Stub
6.	119069	Shaft, R.H. Long Finger Rod Stub
7.	106000	Finger, Rubberized–232 Per machine
8.	900859	Center Spider Stub Shaft–Short
9.	900858	Center Spider Stub Shaft–Long
10.	900857	Coupler, Finger Rod
11.	106013	Flangett, 2-Hole
12.	102005	Bearing, 1" Insert with Lock Collar
13.	900709	Spacer, Pickup Head
14.	103001	Cam, R.H. Track
15.	103000	Cam, L.H. Track
16.	900780	Rotor Rod Mount
17.	900969	Pickup Tube with 7 Spiders
18.	901294	Hex Roller
19.	901293	4" Roller
Not Shown	900970	Complete Pickup Head Assembly
21.	900860	Two Hole End Spider (sold in pairs)
22.	900861	Four Hole Center Spider (sold in pairs)
23.	901277	4" Roller Bearing Mount Plate (optional)
24.	900765	Roller Carrier Mount (optional)
25.	102080	Roller Carrier Bearing (optional)
26.	900897	Finger Rod, 33 ³ / ₈ "–8 Required per P.U.H.
27.	900866	Finger Rod, 37 ³ / ₈ "–16 Required per P.U.H.

Hardware List

<u>Item No.</u>	<u>Part No.</u>	<u>Description</u>
A.		7/16" × 3" NC Hex Bolt–grade 8
B.		7/16" NC Nyloc Hex Nut
C.		1" SAE Flat Washer
D.		5/8" NF Jam Nut
E.		5/8" Shim Washer
F.		5/16" x 1 1/2" NC Hex Bolt–grade 5 (for use on fingers only)
G.		5/16" NC Whiz Nut
H.		5/16" x 1 1/2" NC Hex Bolt–grade 8 (for use on all couplers and stub shaft)



4-TUBE PICKUP HEAD ASSEMBLY–1068 WINDROWER

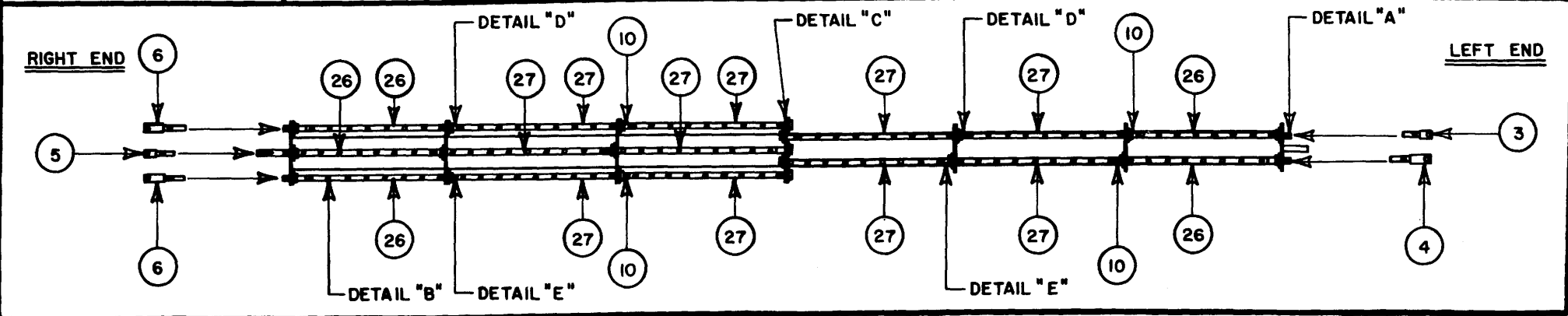
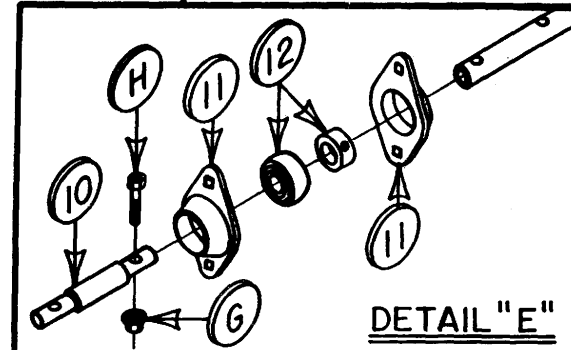
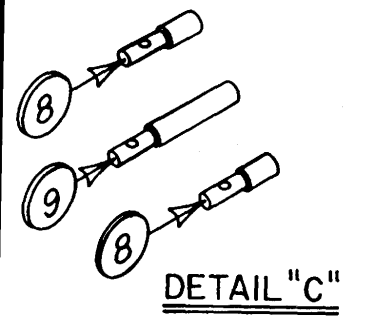
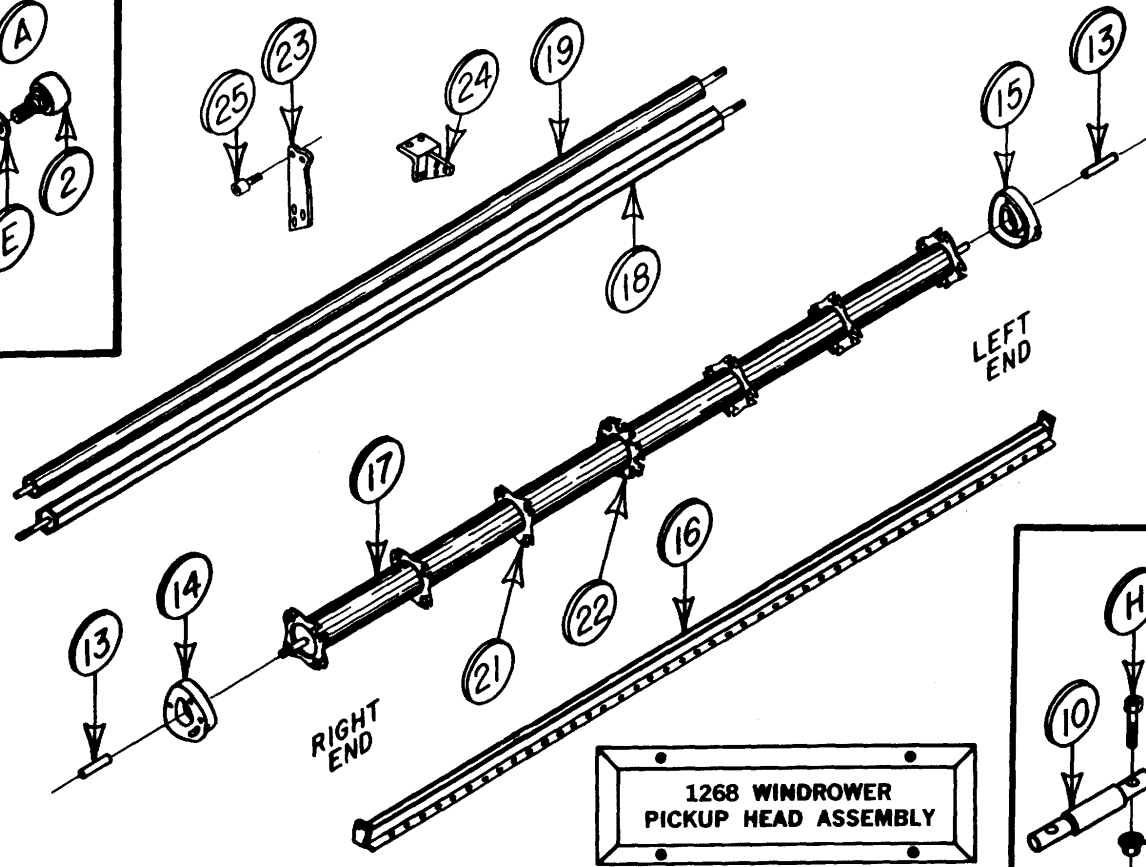
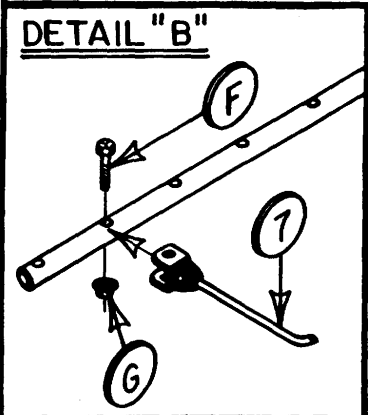
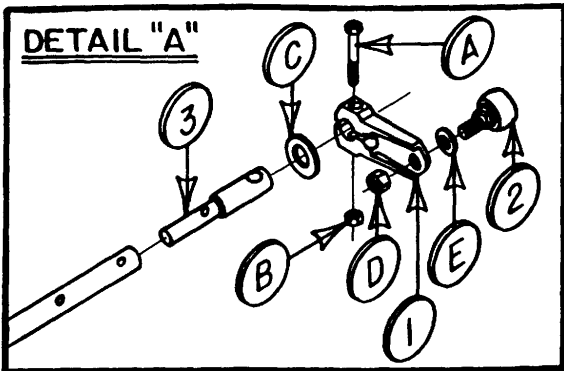
(1997–PRESENT)

PARTS LIST

<u>Item No.</u>	<u>Part No.</u>	<u>Description</u>
1.	103095	Cam Arm
2.	102015	Bearing, Cam Arm
3.	119137	Shaft, L.H. Short Finger Offset
4.	119135	Shaft, L.H. Long Finger Offset
5.	119136	Shaft, R.H. Short Finger Offset
6.	119134	Shaft, R.H. Long Finger Offset
7.	106000	Finger, Rubberized–172 Per machine
8.	900859	Center Spider Stub Shaft–Short
9.	900858	Center Spider Stub Shaft–Long
10.	900857	Coupler, Finger Rod
11.	106013	Flangett, 2-Hole
12.	102005	Bearing, 1" Insert with Lock Collar
13.	900709	Spacer, Pickup Head
14.	103096	Cam, Track (Universal)
15.	103096	Cam, Track (Universal)
16.	900203	Rotor Rod Mount
17.	900868	Pickup Tube with 5 Spiders
18.	900401	Hex Roller
19.	900402	4" Roller
20.	900866	Finger Rod, 37 ³ / ₈ "–4 Required per P.U.H.
21.	900867	Finger Rod, 41 ³ / ₈ "–12 Required per P.U.H
Not Shown	900869-97	Complete Pickup Head Assembly
Not Shown	900860	Two-Hole End Spider (sold in pairs)
Not Shown	900861	Four-Hole Center Spider (sold in pairs)

Hardware List

<u>Item No.</u>	<u>Part No.</u>	<u>Description</u>
A.		7/16" × 3" NC Hex Bolt–grade 8
B.		7/16" NC Nyloc Hex Nut
C.		1" SAE Flat Washer
D.		5/8" NF Jam Nut
E.		5/8" Shim Washer (optional)
F.		5/16" × 1½" NC Hex Bolt–grade 5 (for use on fingers only)
G.		5/16" NC Whiz Nut
H.		5/16" × 1½" NC Hex Bolt–grade 8 (for use on all couplers and stub shafts)



4 TUBE PICKUP HEAD ASSEMBLY–1268 Windrower

(1997–Present)

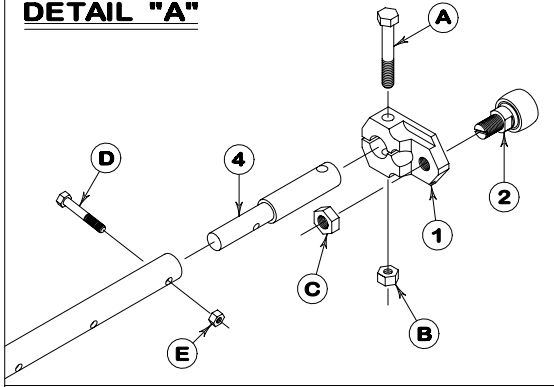
Parts List

<u>Item No.</u>	<u>Part No.</u>	<u>Description</u>
1.	103095	Cam Arm (Universal)
2.	102015	Bearing, Cam Arm
3.	119137	Shaft, L.H. Short Finger Offset
4.	119135	Shaft, L.H. Long Finger Offset
5.	119136	Shaft, R.H. Short Finger Offset
6.	119134	Shaft, R.H. Long Finger Offset
7.	106000	Finger, Rubberized–232 Per machine
8.	900859	Center Spider Stub Shaft–Short
9.	900858	Center Spider Stub Shaft–Long
10.	900857	Coupler, Finger Rod
11.	106013	Flangett, 2-Hole
12.	102005	Bearing, 1" Insert with Lock Collar
13.	900709	Spacer, Pickup Head
14.	103096	Cam, Track (Universal)
15.	103096	Cam, Track (Universal)
16.	900780	Rotor Rod Mount
17.	900969	Pickup Tube with 7 Spiders
18.	901294	Hex Roller
19.	901293	4" Roller
Not Shown	900970-97	Complete Pickup Head Assembly
21.	900860	Two-Hole End Spider (sold in pairs)
22.	900861	Four-Hole Center Spider (sold in pairs)
23.	901277	4" Roller Bearing Mount Plate (optional)
24.	900765	Roller Carrier Mount (optional)
25.	102080	Roller Carrier Bearing (optional)
26.	900897	Finger Rod, 33 ³ / ₈ "–8 Required per P.U.H.
27.	900866	Finger Rod, 37 ³ / ₈ "–16 Required per P.U.H.
28.	901025	Rotor Rod Support Guide
29.	900762	Rotor Rod Support Connection
Not Shown	900769	Rotor Rod Support (weld-on bracket)

Hardware List

<u>Item No.</u>	<u>Part No.</u>	<u>Description</u>
A.		7/16" × 3" NC Hex Bolt–grade 8
B.		7/16" NC Nyloc Hex Nut
C.		1" SAE Flat Washer
D.		5/8" NF Jam Nut
E.		5/8" Shim Washer (optional)
F.		5/16" × 1½" NC Hex Bolt–grade 5 (for use on fingers only)
G.		5/16" NC Whiz Nut
H.		5/16" × 1½" NC Hex Bolt–grade 8(for use on all couplers and stub shaft)

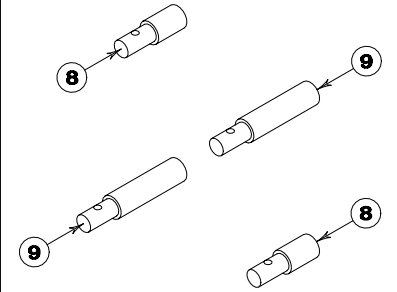
DETAIL "A"



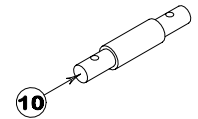
FINGER RODS REQUIRED PER (174-3/16") 8 TUBE P-J HEAD

- (24 REQ'D) 41-3/8" (11 HOLES) 900867
- (8 REQ'D) 37-3/8" (10 HOLES) 900888

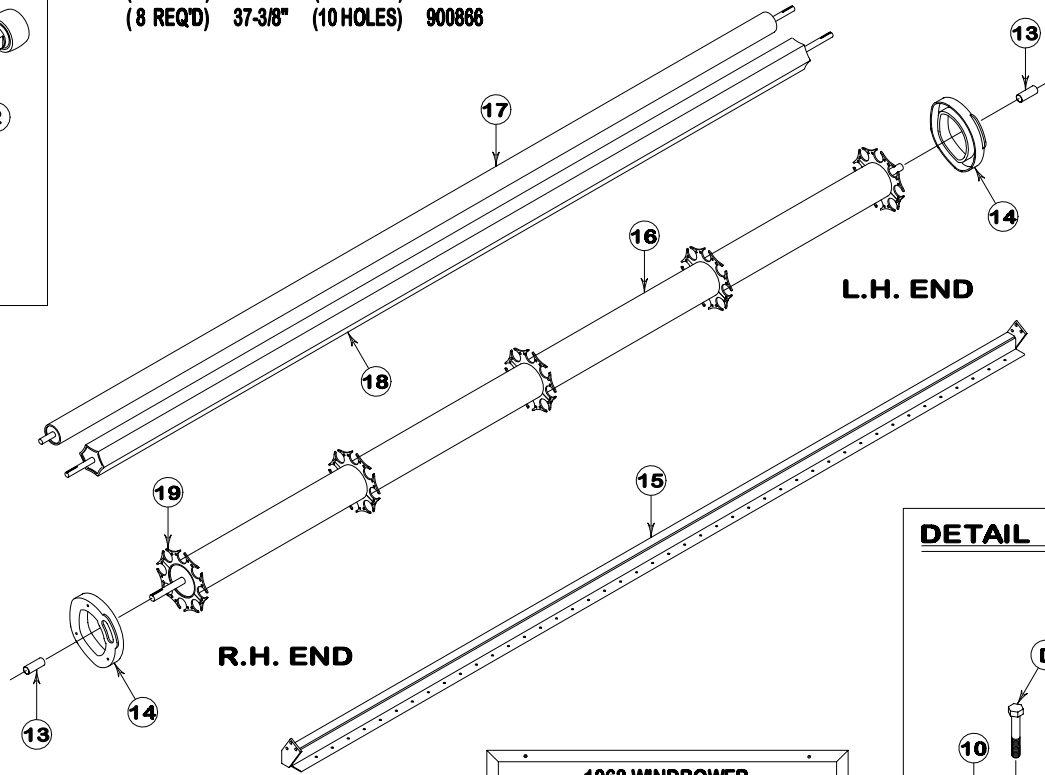
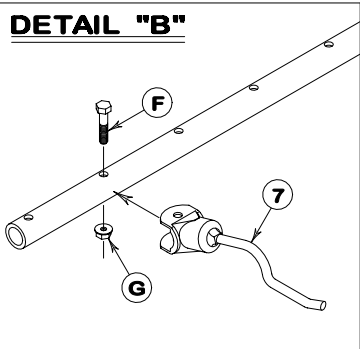
DETAIL "C"



DETAIL "D"

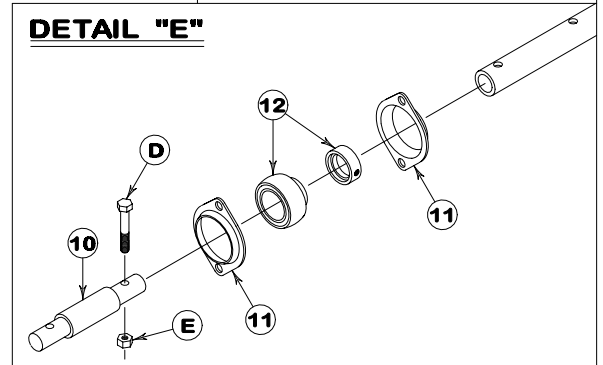


DETAIL "B"



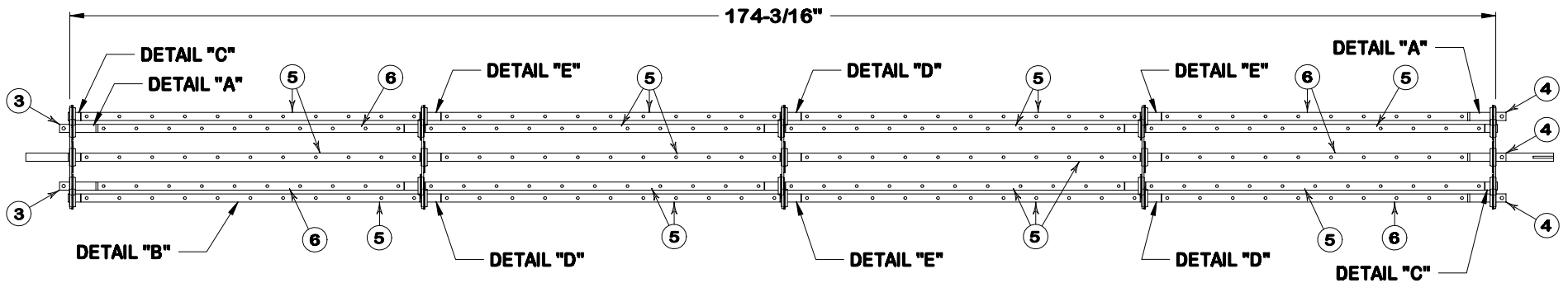
1068 WINDROWER
8 TUBE PICK-UP HEAD ASSEMBLY

DETAIL "E"



L.H. END (NO KEY)

R.H. END (KEYED)



8 TUBE PICKUP HEAD ASSEMBLY 1068 Windrower (1997–Present)

Parts List

<u>Item No.</u>	<u>Part No.</u>	<u>Qty</u>	<u>Description</u>
1.	103095	8	Cam Arm (Universal)
2.	102015	8	Bearing, Cam Arm
3.	119135	4	Shaft, L.H. Long Finger Offset
4.	119134	4	Shaft, R.H. Long Finger Offset
5.	900867	24	Finger Rod 41 ³ / ₈ " (11 holes)
6.	900866	8	Finger Rod 37 ³ / ₈ " (10 holes)
7.	106036	344	Finger with radius, 8-Tube
8.	901412	8	End Spider Stub Shaft (short)
9.	901420	0	End Spider Stub Shaft (long)
10.	900857	24	Coupler, Finger Rod
11.	106013	40Pr.	Flangett, 2 Hole
12.	102005	40	Bearing, 1" Insert (with Lock Collar)
13.	901484	2	Spacer, Pickup Head (3 ²⁹ / ₃₂ " Lg.)(1 ¹ / ₄ " I.D.)
13a.	900709	2	Spacer, Pickup Head (3 ²⁹ / ₃₂ " Lg.)(1" I.D.)
14.	103096	2	Cam Track (Universal)
15.	900203	1	Rotor Rod Mount (180 ³ / ₄ "
16.	940383	1	Pickup Tube (with 5 Spiders)(174 ³ / ₁₆ ")(1" PUH Bearings)
16a.	940383-00	1	Pickup Tube (with 5 Spiders)(174 ³ / ₁₆ ")(1 ¹ / ₄ " PUH Bearings)
17.	900402	1	4" Roller (178 ⁷ / ₈ "
18.	900401	1	Hex Roller (176 ³ / ₈ "
19.	900861	5Pr.	Four-Hole Spider (sold in pairs)
Not Shown	901400	1	Complete 8-Tube Pickup Head Assembly (174 ³ / ₁₆ ")(1" PUH Bearings)
Not Shown	901400-00	1	Complete 8-Tube pickup Head Assembly (174 ³ / ₁₆ ")(1 ¹ / ₄ " PUH Bearings)

Roller Carriers

Not Shown	901450	1	1 ¹ / ₄ " Pickup Head Carrier (Drive-end keyed)
Not Shown	901451	1	1 ¹ / ₄ " Pickup Head Carrier (Idler-end no key)
Not Shown	900058	1	4" Roller Carrier (Drive-end keyed)
Not Shown	900059	1	4" Roller Carrier (Idler-end no key)
Not Shown	900062	1	Hex Roller Carrier (R.H. end 4 ³ / ₄ " keyway)
Not Shown	900063	1	Hex Roller Carrier (L.H. end 2 ¹ / ₂ " keyway)
Not Shown	900044	1	1" Pickup Head Carrier (Drive-end keyed)
Not Shown	900045	1	1" Pickup Head Carrier (Idler-end no key)

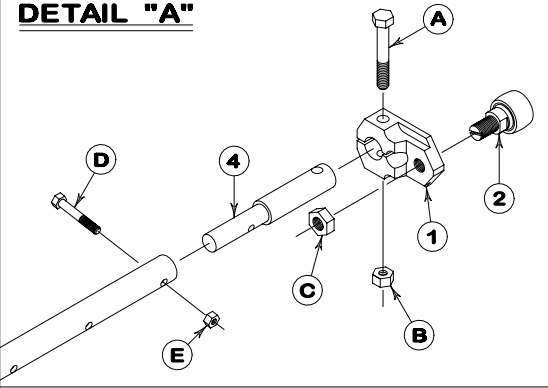
This page was
left blank
intentionally

8 TUBE PICKUP HEAD ASSEMBLY 1068 Windrower (1997–Present)

Hardware List

<u>Item No.</u>	<u>Part No.</u>	<u>Qty</u>	<u>Description</u>
A.		8	7/16" x 3" NC Hex Bolt (Grade 8)
B.		8	7/16" NC Nylon Hex Nut
C.		8	5/8" NF Jam Nut
D.	106051	64	5/16" x 2" NF Hex Bolt (Grade-9)(sold as a set with nut)
E.	106051	64	5/16" NF Stover Nut(Grade-9)(sold as a set with bolt)
F.		280	5/16" X 1½ " NC Hex Bolt(Grade-5)(use on fingers only)
G.		280	5/16" NC Whiz Nut(use on fingers only)

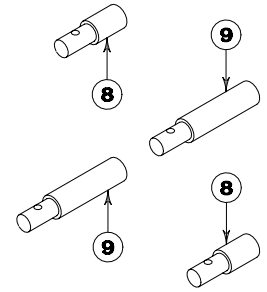
DETAIL "A"



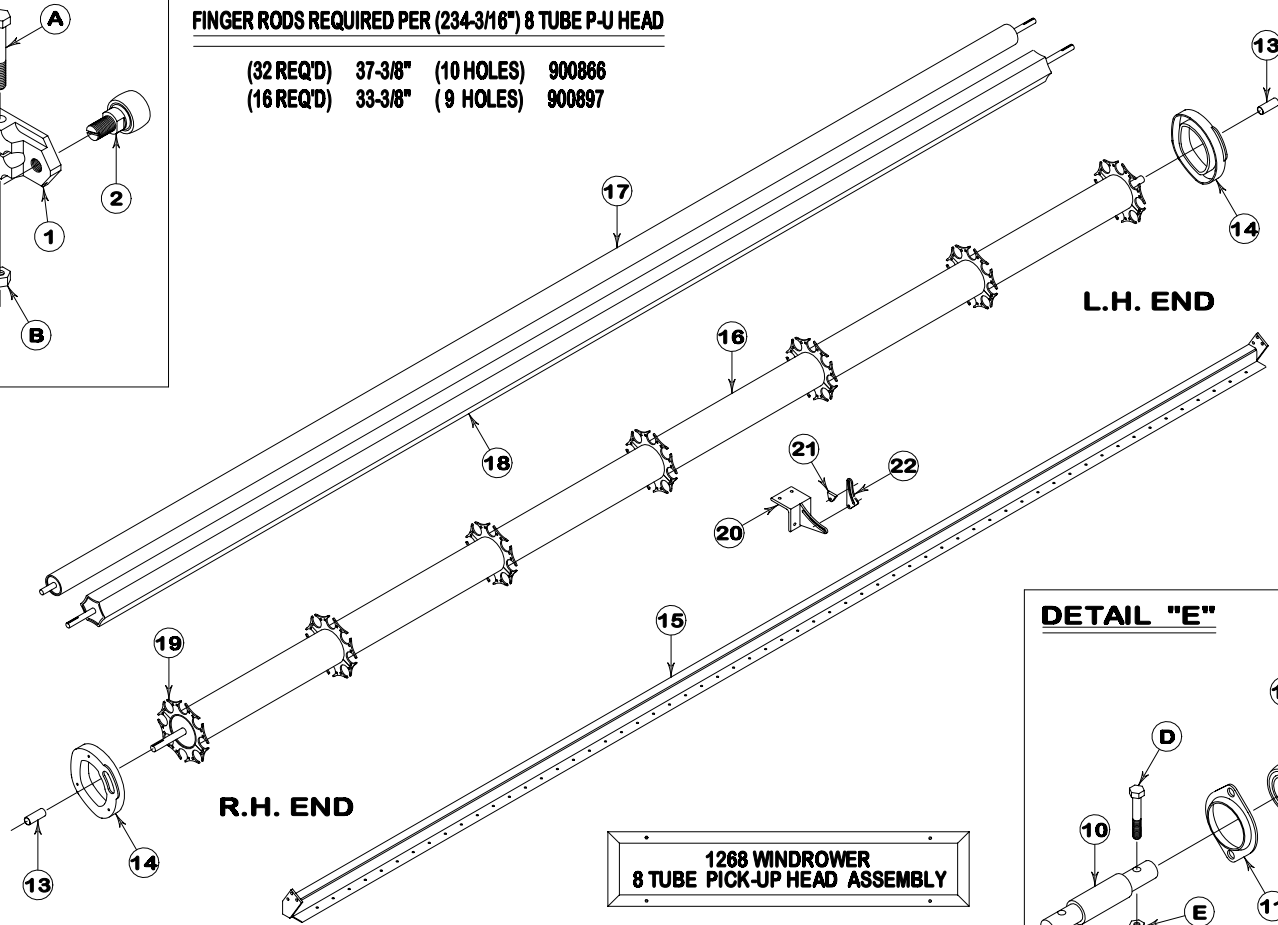
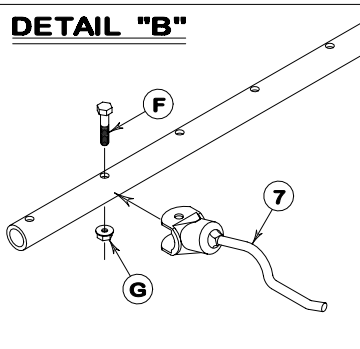
FINGER RODS REQUIRED PER (234-3/16") 8 TUBE P-J HEAD

(32 REQ'D) 37-3/8" (10 HOLES) 900866
 (16 REQ'D) 33-3/8" (9 HOLES) 900897

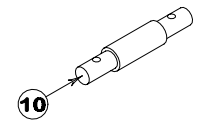
DETAIL "C"



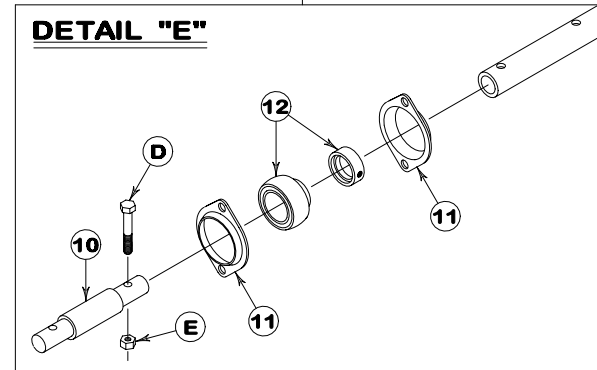
DETAIL "B"



DETAIL "D"



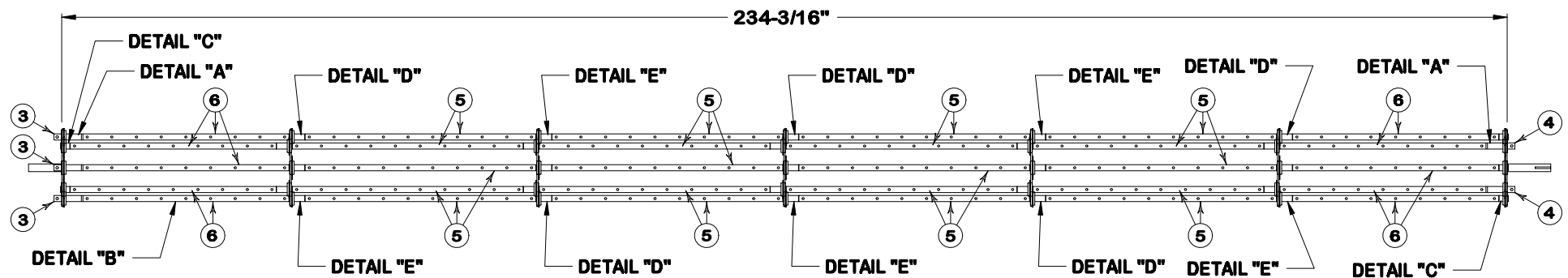
DETAIL "E"



1268 WINDROWER
8 TUBE PICK-UP HEAD ASSEMBLY

L.H. END (NO KEY)

R.H. END (KEYED)



8-TUBE PICKUP HEAD ASSEMBLY 1268 Windrower

1997–Present

Parts List

<u>Item No.</u>	<u>Part No.</u>	<u>Qty</u>	<u>Description</u>
1.	103095	8	Cam Arm (Universal)
2.	102015	8	Bearing, Cam Arm
3.	119135	4	Shaft, L.H. Long Finger Offset
4.	119134	4	Shaft, R.H. Long Finger Offset
5.	900866	32	Finger Rod 37 ³ / ₈ " (10 holes)
6.	900897	16	Finger Rod 33 ³ / ₈ " (9 holes)
7.	106036	464	Finger with radius, 8-Tube
8.	901412	8	End Spider Stub Shaft (short)
9.	901420	0	End Spider Stub Shaft (long)
10.	900857	40	Coupler, Finger Rod
11.	106013	56Pr.	Flangett, 2 Hole
12.	102005	56	Bearing, 1" Insert (with Lock Collar)
13.	901484	2	Spacer, Pickup Head (3 ²⁹ / ₃₂ " Lg.)(1 ¹ / ₄ " I.D.)
14.	103096	2	Cam Track (Universal)
15.	900780	1	Rotor Rod Mount (240 ³ / ₄ "
16.	901439	1	Pickup Tube (with 7 Spiders)(234 ³ / ₁₆ ")(1 ¹ / ₄ " PUH Bearings)
17.	901293	1	4" Roller (238 ⁷ / ₈ ")
18.	901294	1	Hex Roller (236 ³ / ₈ ")
19.	900861	7Pr.	Four Hole Spider (sold in pairs)
20.	901025	1	Rotor Rod Support Guide
21.	900769	1	Rotor Rod Support Bracket (weld on)
22.	900762	1	Rotor Rod Support Connection Plate
Not Shown	901440	1	Complete 8-Tube Pickup Head Assemb. (234 ³ / ₁₆ ")(1 ¹ / ₄ " PUH Bearings)

Roller Carriers

Not Shown	901450	1	1 ¹ / ₄ " Pickup Head Carrier (Drive-end keyed)
Not Shown	901451	1	1 ¹ / ₄ " Pickup Head Carrier (Idler-end no key)
Not Shown	900058	1	4" Roller Carrier (Drive-end keyed)
Not Shown	900059	1	4" Roller Carrier (Idler-end no key)
Not Shown	900062	1	Hex Roller Carrier (R.H. end 4 ³ / ₄ " keyway)
Not Shown	900063	1	Hex Roller Carrier (L.H. end 2 ¹ / ₂ " keyway)
Not Shown	900044	1	1" Pickup Head Carrier (Drive-end keyed)
Not Shown	900045	1	1" Pickup Head Carrier (Idler-end no key)

This page was
left blank
intentionally

8-TUBE PICKUP HEAD ASSEMBLY 1268 Windrower

1997–Present

Hardware List

<u>Item No.</u>	<u>Part No.</u>	<u>Qty</u>	<u>Description</u>
A.		8	7/16" × 3" NC Hex Bolt (Grade 8)
B.		8	7/16" NC Nylon Hex Nut
C.		8	5/8" NF Jam Nut
D.	106051	96	5/16" × 2" NF Hex Bolt (Grade-9)(sold as a set with nut)
E.	106051	96	5/16" NF Stover Nut(Grade-9)(sold as a set with bolt)
F.		368	5/16" NC Whiz Nut (use on fingers only)