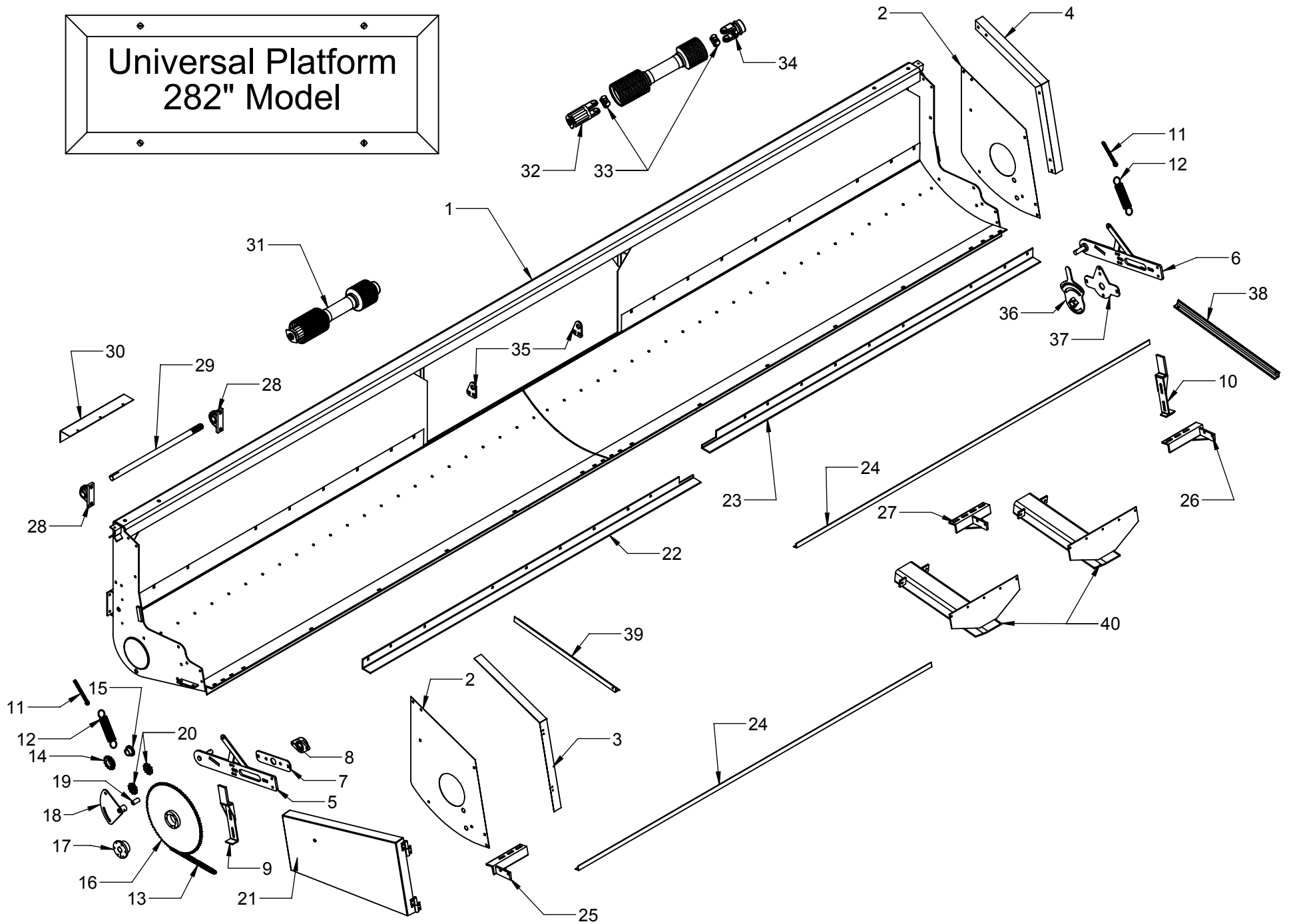


Universal Platform

Platform Parts Breakdown.....	2-3
Retractable Finger Auger Parts Breakdown.....	4-5
Combine Pickup Head Parts Breakdown	6-9

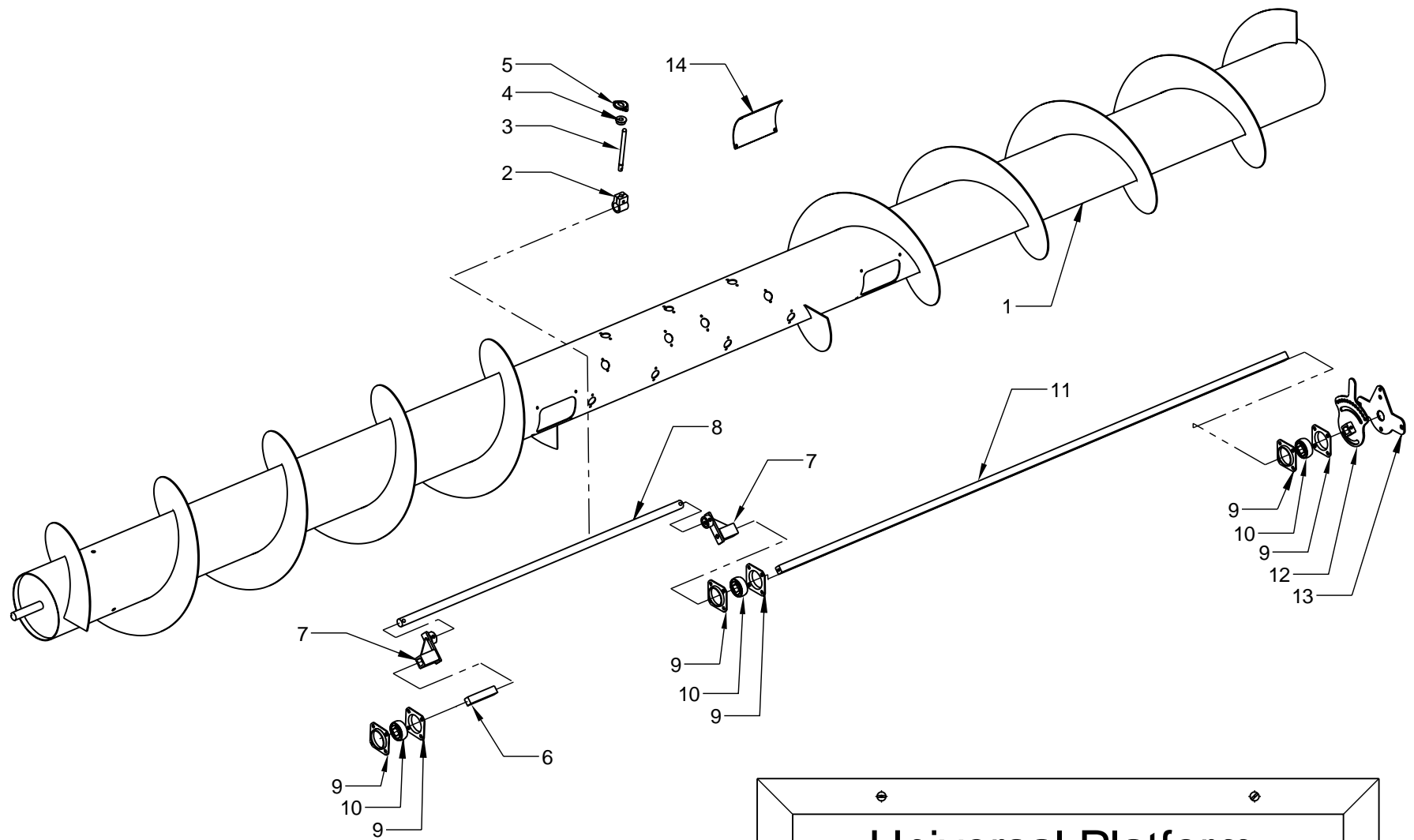
Return to this page by clicking the upper right corner of any page in this section.

Universal Platform
282" Model



UNIVERSAL PLATFORM—282”**Parts List**

<u>Item No.</u>	<u>Part No.</u>	<u>Qty</u>	<u>Description</u>
1.	400400	1	Platform Main Frame—282” Model
2.	400006	2	Inner End Shield Plate
3.	400010	1	R.H. Inside Shield Angle
4.	400015	1	L.H. Inside Shield Angle
5.	400144	1	R.H. Auger Hold Arm
6.	400025	1	L.H. Auger Hold Arm
7.	400019	2	Auger Bearing Adjustment Plate
8.	102088	1	1-3/8” Flange Bearing
9.	400005	1	RH Vertical Adjustment Support Arm
10.	400405	1	LH Vertical Adjustment Support Arm
11.	118047	2	1/2" x 6" Rod End
12.	119161	2	Auger Float Spring (11-1/2" LG)
13.	103100	1	# 60 Regular Chain
14.	119269	1	Sprocket, 60SH-14
15.	102197	1	Bushing, SH x 1-3/8"
16.	119202	1	Sprocket, 60SF-80
17.	119158	1	Bushing, SF x 1-3/8"
18.	400155	1	Double Idler Mount
19.	400154	1	Double Idler Pilot Bushing (1" O.D. x 2" lg.)
20.	119016	2	60 Idler Sprocket (11 tooth)
21.	400320	1	Chain Guard
22.	400382	1	RH Clean Off Angle (282” Model)
23.	400383	1	LH Clean Off Angle (282” Model)
24.	400394	2	Front Clean Off Angle (282” Model)
25.	400398	1	RH Knife Mount
26.	400397	1	LH Knife Mount
27.	400401	1	Center Knife Mount
28.	102194	2	1-3/8” Pillow Block Bearing
29.	400406	1	6-Spline Shaft (32” w/keyway)
30.	400408	1	Drive Shaft Shield
31.	104017	1	Driveline, 1-3/8” 21 Spline Yoke to 6-Spline Radial Pin Clutch (40)
32.	124013	1	Radial Pin Clutch
33.	103078	2	Cross and Bearing Kit
34.	124014	1	Yoke, 1 3/8” 21 Spline (Standard)
34a.	124011		Yoke, 1 1/8” Hex (Optional)
34b.	124002		Yoke, 1 3/8” 6 Spline (Optional)
35.	400056	2	Hitch Pin Wear Plate
36.	400349	1	Finger Adjustment Lock Assembly
37.	400351	1	Auger Finger Adjustment Plate
38.	400411	1	LH Pickup Head Top Support Angle
39.	400410	1	RH Pickup Head Top Support Angle
40.	400352	2	Universal Platform Stand Assembly



Universal Platform
 Retractable Finger Auger
 282" Model

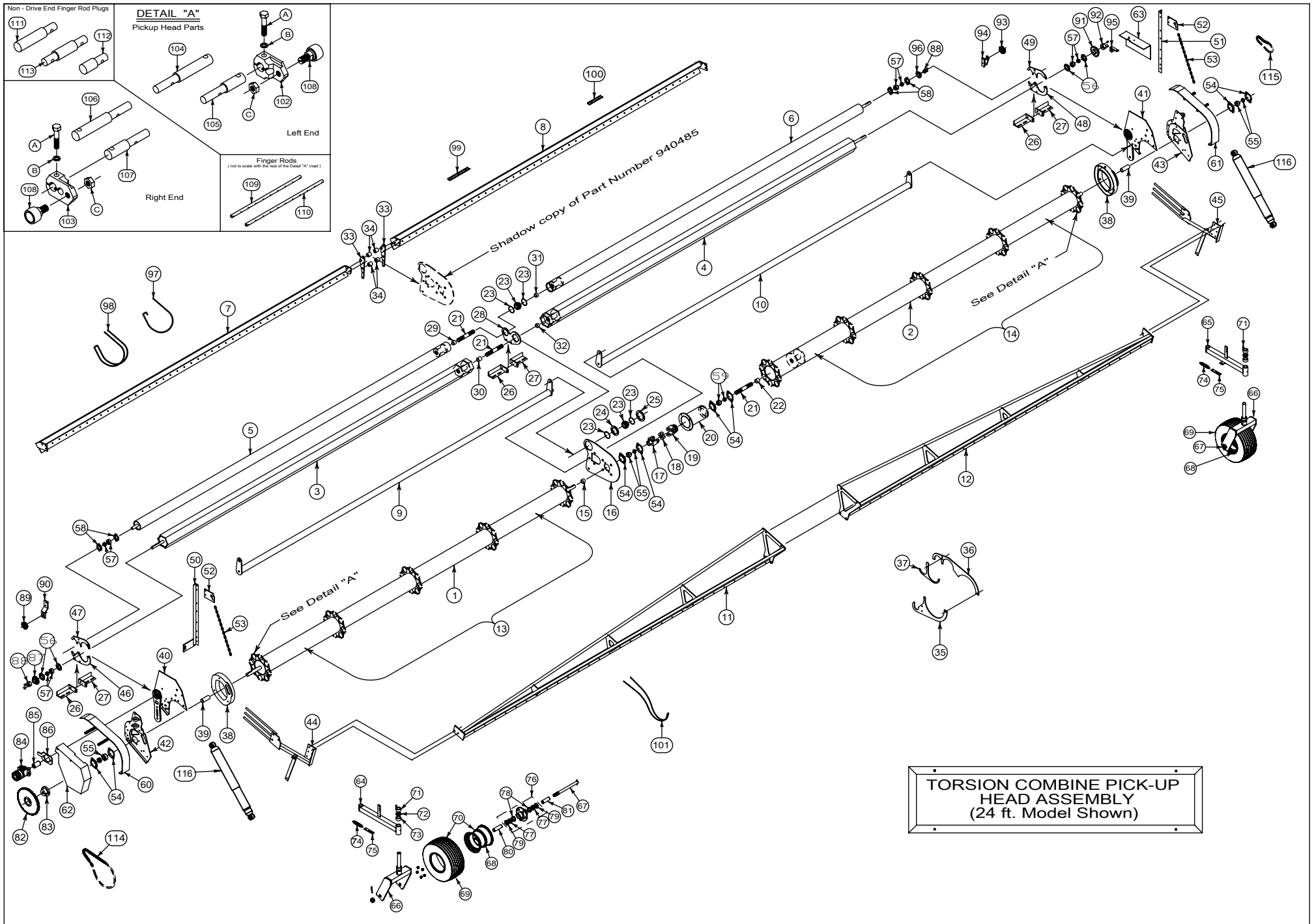
Retractable Finger Auger 282" Model

Parts List

<u>Item No.</u>	<u>Part No.</u>	<u>Qty</u>	<u>Description</u>
1.	400391	1	Retractable Finger Auger Weld Assembly
2.	103181	14—24	Finger Clamp Assembly
3.	116034-S	14—24	Steel Auger Finger
4.	400322	14—24	Steel Auger Finger Guide
5.	103182	14—24	Finger Guide Retainer
6.	400331	1	RH Idler Bearing Bar
7.	400330	2	Finger Crank Offset Arm Assembly
8.	400323	1	Finger Crank Center Shaft
9.	106066	3 pr	Flangette, 85MS
10.	102087	3	Bearing, 1 1/4" Square
11.	400389	1	LH Idler Bearing Bar (246" Model)
12.	400349	1	Idler Bar Lock Plate Assembly
13.	400351	1	Auger Finger Adjustment Plate
14.	400343	6	Access Hole Inspection Cover
15.	400392	1	Complete Retractable Finger Auger Assembly (Not Shown)

Roller Carriers

Not Shown	400060	1	Auger Carrier (Drive-end keyed)
-----------	--------	---	---------------------------------



TORSION COMBINE PICK-UP HEAD ASSEMBLY
(24 ft. Model Shown)

Torsion Combine Pickup Head (282" model)

Parts List

<u>Item No.</u>	<u>Part No.</u>	<u>Qty.</u>	<u>Description</u>
1.	940607	1	R.H. Pickup Tube Weld Assembly (w / 5 spiders) 138-3/16"
2.	940606	1	L.H. Pickup Tube Weld Assembly (w / 5 spiders) 138-3/16"
3.	940611	1	R.H. Hex Roller (4-3/4" Key) 139-1/4"
4.	940610	1	L.H. Hex Roller (2-1/2" Key) 139-1/4"
5.	940614	1	R.H. 4" Roller (No Key) 139-1/4"
6.	940613	1	L.H. 4" Roller (2-1/2" Key) 139-1/4"
7.	940580	1	R.H. Rotor Rod Mount 140-13/16"
8.	940579	1	L.H. Rotor Rod Mount 140-13/16"
9.	940583	1	R.H. Torsion Bar 142-9/16"
10.	940582	1	L.H. Torsion Bar 142-9/16"
11.	940571	1	R.H. Hold Down Rod Mount 140-1/2"
12.	940570	1	L.H. Hold Down Rod Mount 140-1/2"
13.	940601	1	Complete R.H. Pickup Head Assembly (w / Bearings, Finger Tubes & Fingers)
14.	940600	1	Complete L.H. Pickup Head Assembly (w / Bearings, Finger Tubes & Fingers)
15.	940438	1	R.H. Pickup Head Spacer
16.	940485	1	Center Support Plate
17.	124001	1	Yoke, Driveline (1-1/4" ID with 1/4" Keyway)
18.	103078	1	U-joint, Driveline
19.	124002	1	Yoke, Driveline (1-3/8" I.D. 6 Spline)
20.	940460	1	Canister Bearing Mount
21.	900766	3	6 Splined Shaft
22.	940599	1	L.H. Pickup Head Spacer
23.	102065	2	Bearing, 1-3/8" I.D. (with 2 Snap Rings)
24.	940487	1	Pivot Bushing Plate
25.	940488	1	Center Pivot Plate
26.	940491	3	R.H. Knife Mount
27.	940490	3	L.H. Knife Mount
28.	940486	1	Center Hinge Bracket
29.	940604	1	R.H. 4" Roller Spacer
30.	940602	1	R.H. Hex Roller Spacer
31.	940605	1	L.H. 4" Roller Spacer
32.	940603	1	L.H. Hex Roller Spacer
33.	940472	2	Rotor Rod Center Torsion Plate
34.	940473	4	Center Torsion Plate Spacer
35.	940492	1	Bottom Carrier Plate (shipping bracket)
36.	940493	1	Top Carrier Plate (shipping bracket)
37.	940575	1	4" Roller Carrier Plate (shipping bracket)
38.	103096	1	Cam Track (universal)
39.	901484	2	Pickup Head Spacer (3-29/32" lg.)
40.	940585	1	R.H. Outside Upper Plate
41.	940584	1	L.H. Outside Upper Plate
42.	940395	1	R.H. Outside Lower Plate

Torsion Combine Pickup Head (282" model) continued

Parts List

<u>Item No.</u>	<u>Part No.</u>	<u>Qty.</u>	<u>Description</u>
43.	940396	1	L.H. Outside Lower Plate
44.	940270	1	R.H. Side Plate Deflector Rod
45.	940269	1	L.H. Side Plate Deflector Rod
46.	940454	1	R.H. Hinge Bracket Bottom Plate
47.	940444	1	R.H. Hinge Bracket Top Plate
48.	940457	1	L.H. Hinge Bracket Bottom Plate
49.	940448	1	L.H. Hinge Bracket Top Plate
50.	940054-97	1	R.H. Upright Angle (1997-Present)
51.	940053	1	L.H. Upright Angle (All Models)
52.	940052	2	Upper Chain Bracket
53.	103036	2	Lift Chain (1/4")
54.	106050	4pr.	Two Hole Flangette, (fits 1-1/4" ID & 1-3/8" ID Bearing Inserts)
55.	102060	3	Bearing, 1-1/4" Insert with lock collar
56.	106004	2pr.	Three Hole Flangette, (fits 1" ID Bearing Inserts)
57.	102005	84	Bearing, 1" Insert with lock collar
58.	106013	82	Two Hole Flangette, (fits 1" ID Bearing Inserts)
59.	102048	1	Bearing, 1-3/8" Insert with lock collar
60.	900414	1	R.H. Roller Shroud
61.	900413	1	L.H. Roller Shroud
62.	900316	1	50 Chain Guard
63.	940300	1	40 Chain Guard
64.	940501	1	R.H. Gauge Wheel Arm (requires swivel pin # 940292)
65.	940502	1	L.H. Gauge Wheel Arm (requires swivel pin # 940292)
66.	940500	1	Wheel Fork Assembly (Wide Frame) (1997-Present)
67.	990080	1	Wheel Fork Axle (requires 1" NF Castellated Hex Nut & 1/4" Roll Pin)
68.	123018	2	Steel Wheel 8 x 7 (5 on 4.5)
69.	120000	2	Tire (18 x 9.5 - 8)
70.	123019	2	Wheel Assembly (Complete) (items: 68 & 69)
71.	940505	2	Spring Mount Lock Bushing
72.	940506	2	Wheel Mount Spacer (1/2")
73.	940507	6	Wheel Mount Spacer (1")
74.	119060	2	Wheel Mount Spring
75.	940018	2	Wheel Fork Spring Mount
76.	108136	2	Straddle Hub (includes items: 77, 78 & 79)
77.	102001	4	1" Straddle Hub Bearing cone
78.	102002	4	1" Straddle Hub Bearing cup
79.	119024	4	Hub Seal
80.	990137	2	Bushing, Spacer 4 -1/8" long
81.	990138	2	Bushing, Spacer 3 -9/16" long
82.	119148	1	Sprocket, 50 Q60 Taper Lock (SK Series)
83.	119159	1	Sprocket, 1-1/4" Taper Lock Hub (SK Series)
84.	113023	1	Hydraulic Motor (MF Series)

Torsion Combine Pickup Head (282" model) continued

Parts List

<u>Item No.</u>	<u>Part No.</u>	<u>Qty.</u>	<u>Description</u>
84a.	119109		Seal Kit for Item 84
85.	103017	1	1" x 3" Split Coupler
86.	900225	1	Hydraulic Motor Mount
87.	119166	1	Sprocket, 50BTB15H Taper Lock
88.	119163	2	Bushing, 1210 x 1 KW Taper lock
89.	119010	1	Idler Sprocket (5013E10)
90.	900334	1	50 Idler Sprocket Mount
91.	119170	1	Sprocket 40TBT17H Taper lock (2013 – Present)
91a.	119169	1	Sprocket, 40BTB30H Taper lock (2000 – 2012)
92.	119163	1	Bushing, 1210 x 1 KW Taper lock (2013 – Present)
92a.	119164	1	Bushing, 1610 x 1 KW Taper lock (2000 – 2012)
93.	119005	1	Idler Sprocket (4017E08)
94.	940170	1	40 Idler Sprocket Mount
95.	940304	1	40 Chain Guard Mount
96.	119170	1	Sprocket, 40BTB17H Taper Lock
97.	118016	2	Rotor Rod (End Only)
98.	118015	68	Rotor Rod
99.	103023	22	Rotor Rod Clip (3 hole)
100.	103024	2	Rotor Rod Clip (2 hole) (End Only)
101.	118002	46	Hold Down Rod
102.	103095-LH	8	L.H. Cam Arm (Threaded)
103.	103095-RH	8	R.H. Cam Arm (Threaded)
104.	119135	4	Shaft, L.H. Long Finger Offset
105.	119137	4	Shaft, L.H. Short Finger Offset
106.	119134	4	Shaft, R.H. Long Finger Offset
107.	119136	4	Shaft, R.H. Short Finger Offset
108.	102015	16	Bearing, Cam Arm
109.	900940	32	Finger Rod 29-3/8" (8 Holes)
110.	900897	32	Finger Rod 33-3/8" (9 Holes)
111.	901420	8	End Stub Shaft (long)
112.	901412	8	End Stub Shaft (short)
113.	900857	48	Coupler, Finger Rod
114.	103012	1	Chain, 50 Roller (80 pins)
115.	103199	1	40 Chain (40 pins or 20 links) (2013 – Present)
115a.	103105	1	40 Chain (47 pins or 23 1/2 links) (2000 – 2012)
116.	119348	2	Shock, Gas Charged (2013 – Present)

Hardware List

<u>Item No.</u>	<u>Part No.</u>	<u>Qty.</u>	<u>Description</u>
A.		16	7/16" x 2-1/4" NF Hex Bolt (Grade 8)
B.		16	7/16" Lock Washer
C.		16	5/8" NF Jam Nut