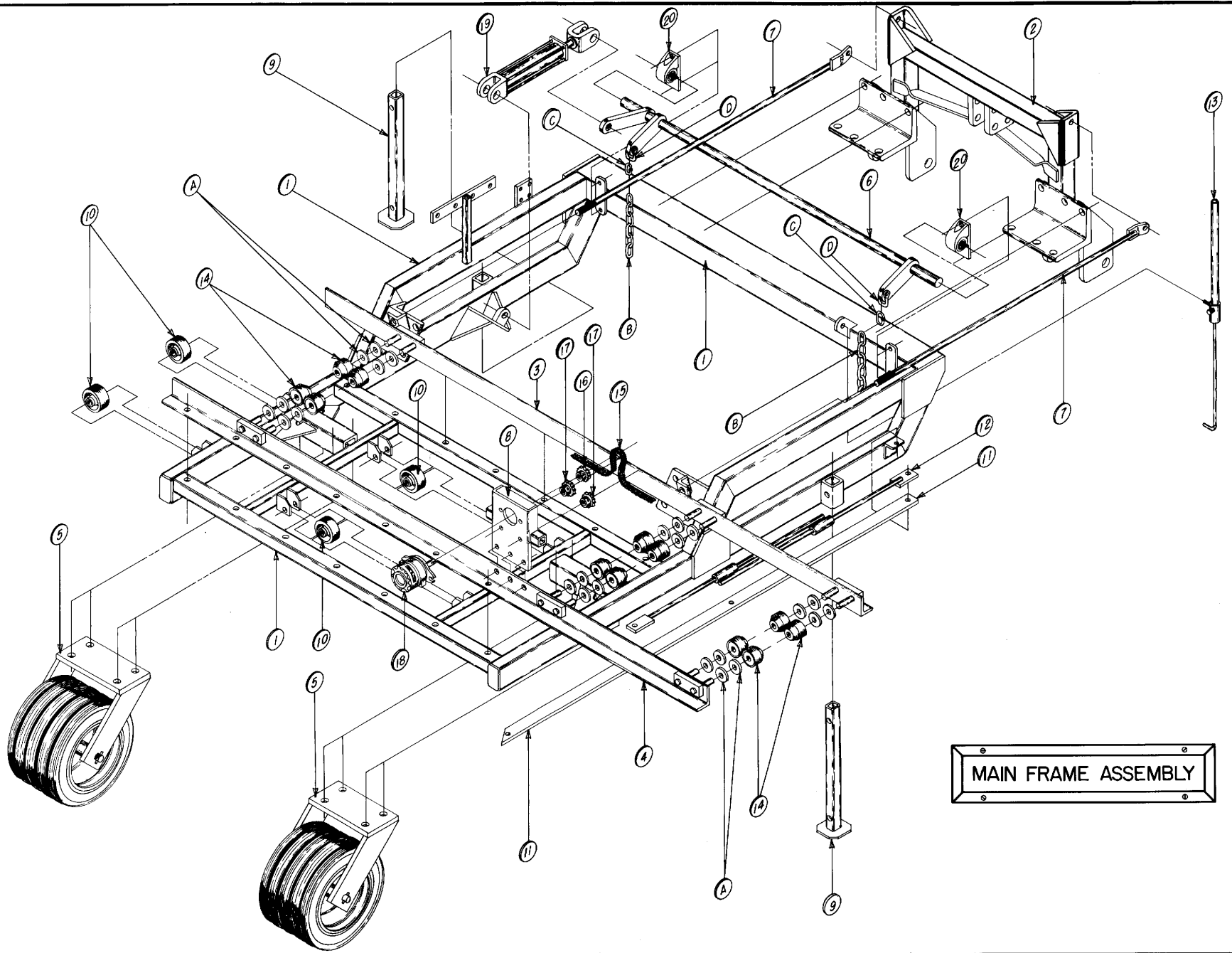


Tomato Vine Diverter

Tomato Vine Diverter

Main Frame Assembly.....	2-3
Header Tray Assembly.....	4-7
Cross Tray Assembly	8-9
Vine Assist Assembly	10-11
Main Frame Wheel Assembly	12-13
Cross Tray Wheel Assembly	14-15
Electric Wiring Diagram.....	16-17
Hydraulic Diagram	18-21

Return to this page by clicking the upper right corner of any page in this section.



MAIN FRAME ASSEMBLY (1992–Present)

Parts List

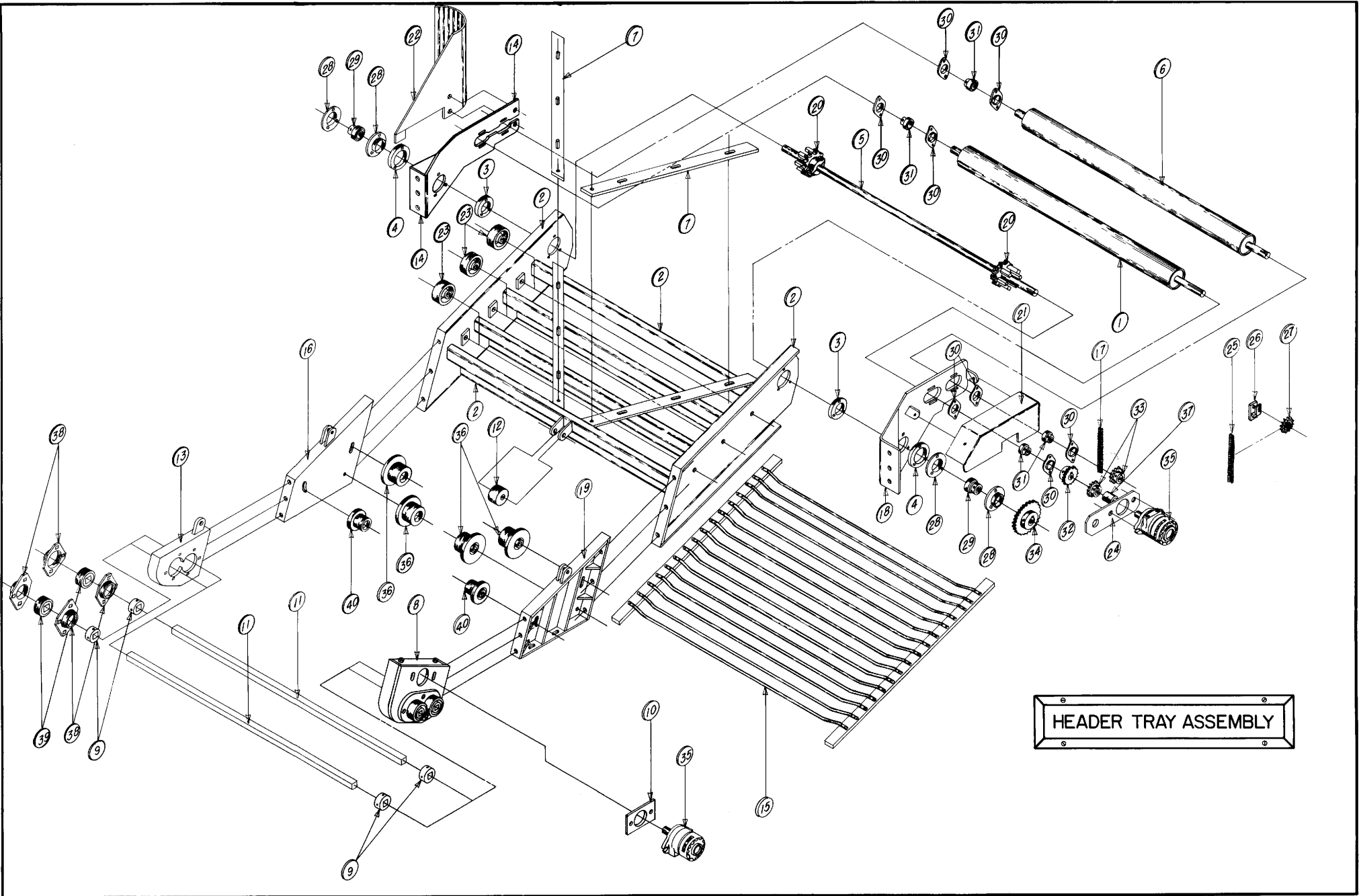
<u>Item No.</u>	<u>Part No.</u>	<u>Description</u>
1.	990040	Main Frame
2.	800000	Three Point Hitch
3.	990063	Cross Tray Slide Roller Assembly–Front
4.	990066	Cross Tray Slide Roller Assembly–Rear
5.	990056	Main Frame Wheel Assembly (Obsolete, use update kit no. 405020)★
6.	990091	Rocker Shaft Assembly
7.	990078	Guy Rod Assembly
8.	990100	Traverse Chain Motor Box
9.	990118	Jack Stand Assembly
10.	118014	Roller, 4" Red
11.	990184	Tray Extension Gusset
12.	990191	Telescopic Gusset Assembly
13.	990196	Depth Gauge Marker Assembly
14.	990061	3" Tray Slide Roller
15.	103059	Chain, Roller 50 Length Traverse 168 Pins
16.	119006	Sprocket, 50BS 15 × 1"
17.	119010	Sprocket, Idler 05013E10
18.	113007	Motor, Hydraulic
19.	103027	Cylinder, Hydraulic
20.	102041	Bearing, 1½" Pillow Block

Hardware List

<u>Item No.</u>	<u>Part No.</u>	<u>Description</u>
A.		1" Flat Washer
B.		3/8" Six Link Chain
C.		3/8" Chain Quick Coupler
D.		3/4" Clevis Chain Hook

Note: all part no.'s listed are manufactured or supplied on a built-to-order basis only. Please call Pickett Equipment for availability and lead-time.

★ See Service Update, Section 8, for complete parts breakdown of kit no. 405020.



HEADER TRAY ASSEMBLY (1992–Present)

Parts List

<u>Item No.</u>	<u>Part No.</u>	<u>Description</u>
1.	990009	4" Roller, 3 ³ / ₄ " Key
2.	990010	Header Tray
3.	990013	Hinge Spacer
4.	990014	Hinge Lock
5.	990015	Belt Drive Shaft
6.	990016	4" Roller, 2 ¹ / ₂ " Key
7.	990019	UHMW Belt Skid
8.	990224	Hydraulic Chain Case—Complete
9.	103038	Collar, Lock 1" Square
10.	990217	Hydraulic Motor Mount Adapter
Not Shown	900837	9 ¹ / ₂ " Cutter Rod Key (use with item no. 11)
Not Shown	901275	Locking Coupler (use with item no. 11)
11.	990227	1" Cutter Rod (55" Long)
12.	990059	UHMW Belt Roller
13.	990060	Cutter Rod Idler Box Assembly
14.	990071	R.H. Roller Hinge Assembly
15.	103049	Chain, Belted Incline
16.	990070	R.H. Slack Adjustment Box
17.	103058	Chain, Roller 50 Cut to Length, 40 Pin
18.	990072	L.H. Roller Hinge Assembly
19.	990079	L.H. Slack Adjustment Box
20.	119081	Sprocket 12T × 32mm × 1 ¹ / ₄ " Bore
21.	990200	Chain Guard
22.	990207	Incline Deflector Shield
23.	118014	Roller, 4" Red
24.	900040	Hydraulic Motor Mount
25.	103053	Chain, 40 Roller Cut to Length, 37 Pin
26.	900137	40 Idler Gear Mount
27.	119005	Sprocket, Idler 04017308
28.	106006	Flangett, 2-Hole
29.	102006	Bearing, 1 ¹ / ₄ " Insert with Lock Collar
30.	106013	Flangett, 2-Hole
31.	102005	Bearing, 1" Insert with Lock Collar
32.	119006	Sprocket, 50BS 15 × 1"
33.	119004	Sprocket, 40BS 15 × 1"
34.	119007	Sprocket, 50BS 30 × 1 ¹ / ₄ "
35.	113007	Motor, Hydraulic (used on item no. 8)
35.	113023	Motor, Hydraulic (used on item no. 1 & 24)
36.	118005	Roller, Rubber
37.	103017	Coupler, 1" × 3" Split

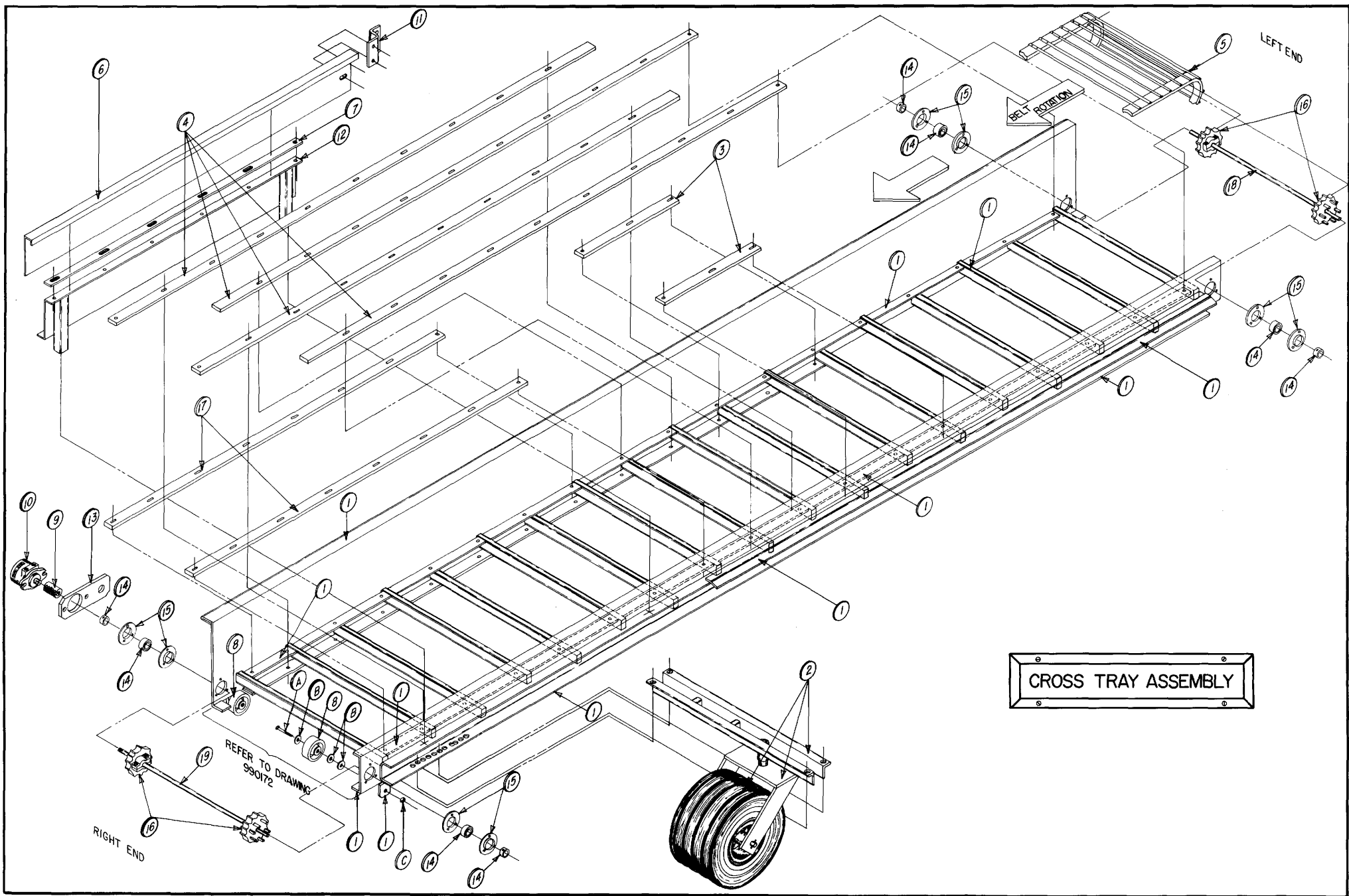
This page was
left blank
intentionally

HEADER TRAY ASSEMBLY (1992–Present)

Parts List

<u>Item No.</u>	<u>Part No.</u>	<u>Description</u>
38.	106007	Flangett, 3-Hole Square
39.	102000	Bearing, 1" Square
40.	118004	Roller, Steel
Not Shown	990008	Complete Header Tray Assembly

Note: all part no.'s listed are manufactured or supplied on a built-to-order basis only. Please call Pickett Equipment for availability and lead-time.



CROSS TRAY ASSEMBLY

REFER TO DRAWING S90172

CROSS TRAY ASSEMBLY (1992–Present)

Parts List

<u>Item No.</u>	<u>Part No.</u>	<u>Description</u>
1.	990180	Cross Tray
2.	990182	Cross Tray Wheel Assembly (Obsolete, use update kit no. 405020)★
3.	990168	UHMW Wear Strips Bottom
4.	990166	UHMW Wear Strips Top & Bottom
5.	103057	Chain, Belted Cross Conveyor
6.	990108	Front Fence
7.	990107	UHMW Wear Strip (Front Fence)
8.	118014	Roller, 4" Red
9.	103017	Coupler, 1" × 3" Split
10.	113023	Motor, Hydraulic (MF Series)
11.	990105	Front Fenced Mounting Plate
12.	990106	Tray Mounted Front Fence
13.	900040	Hydraulic Motor Mount
14.	102005	Bearing, 1" Insert with Lock Collar
15.	106004	Flangett, 3-Hole
16.	119082	Sprocket, 12T × 32mm × 1" Bore
17.	990167	UHMW Wear Strip Top
18.	990003	Idler Shaft
19.	990004	Drive Shaft
Not Shown	990175	Complete Cross Tray Assembly

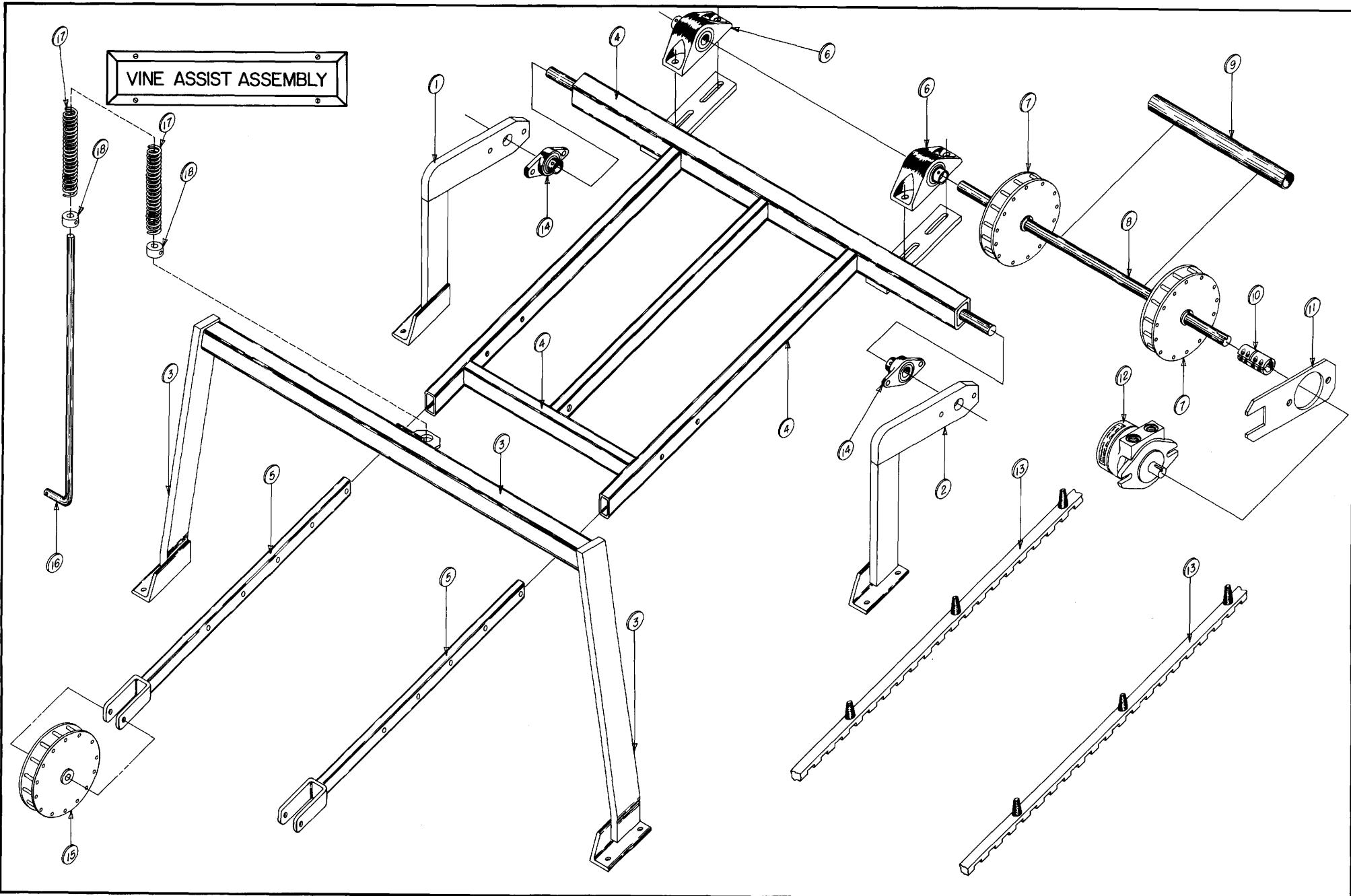
Hardware List

<u>Item No.</u>	<u>Part No.</u>	<u>Description</u>
A.		½" × 3½" NC Hex Bolt
B.		½" Flat Washer
C.		½" NC Whiz Nut

Note: all part no.'s listed are manufactured or supplied on a built-to-order basis only. Please call Pickett Equipment for availability and lead-time.

★ See Service Update, Section 8, for complete parts breakdown of kit no. 405020.

VINE ASSIST ASSEMBLY

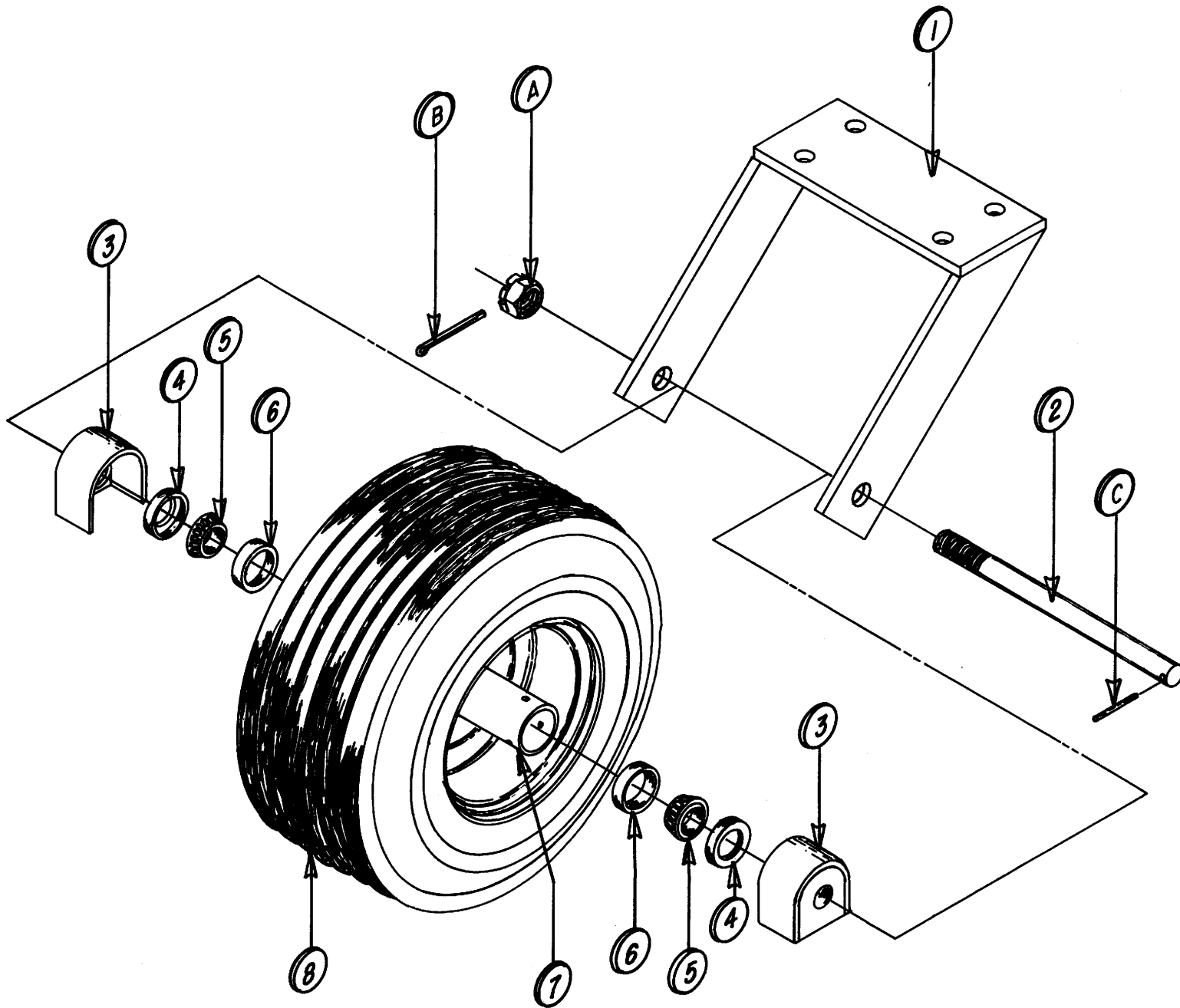


VINE ASSIST ASSEMBLY (1992–Present)

Parts List

<u>Item No.</u>	<u>Part No.</u>	<u>Description</u>
1.	990229	R.H. Upper Cross Tray Arm Assembly
2.	990228	L.H. Upper Cross Tray Arm Assembly
3.	990235	Lower Cross Tray Arm Assembly
4.	990240	Chain Roller Pivot Arm Assembly
5.	990250	Extension Arm Assembly
6.	102007	Bearing, 1" Pillow Block with Lock Collar
7.	990255	Belt Drive Roller
8.	990251	Drive Shaft
9.	990258	Drive Shaft Protective Cover
10.	103017	Coupler, 1" × 3" Split
11.	990246	Hydraulic Motor Mount
12.	113022	Motor, Canvas (MG Series)
13.	102047	Belt, Vine Assist 1" Wide
14.	102012	Bearing 1" 2-Hole Flange Single Seal
15.	990257	Belt Idler Roller
16.	990256	Pressure Spring Guide Rod
17.	119087	Spring, Pressure Vine Assist
18.	103042	Collar, 5/8" Lock
Not Shown	990230	Complete Vine Assist Assembly

Note: all part nos. listed are manufactured or supplied on a built-to-order basis only. Please call Pickett Equipment for availability and lead-time.



MAIN FRAME WHEEL ASSEMBLY

MAIN FRAME WHEEL ASSEMBLY (1992–Present)

Parts List

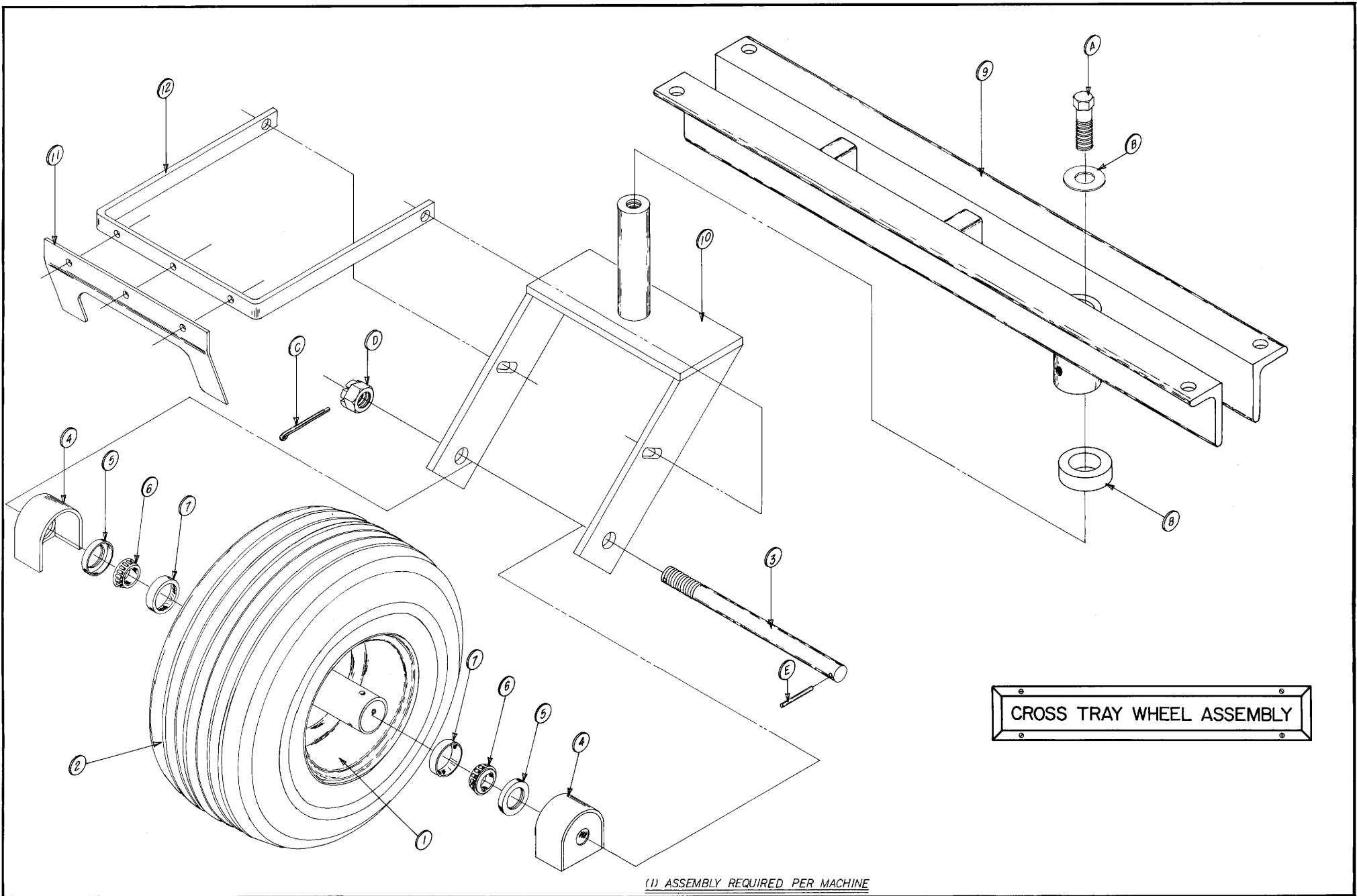
<u>Item No.</u>	<u>Part No.</u>	<u>Description</u>
1.	990050	Wheel Fork Assembly
2.	990080	Axle
3.	990173	Dust Guard
4.	119024	Seal, Bearing
5.	102001	Bearing, Wheel Cone
6.	102002	Bearing, Wheel Race Cup
7.	123000	Wheel, Steel (Obsolete, use update kit no. 405020) ★
8.	120000	Tire (Obsolete, use update kit no. 405020) ★
Not Shown	990056	Complete Main Frame Wheel Assembly

Hardware List

<u>Item No.</u>	<u>Part No.</u>	<u>Description</u>
A.		1" NF Castellated Hex Nut
B.		3/16" Cotter Pin
C.		1/4" Roll Pin

Note: all part no.'s listed are manufactured or supplied on a built-to-order basis only. Please call Pickett Equipment for availability and lead-time.

★ See Service Update, Section 8, for complete parts breakdown of kit no. 405020.



CROSS TRAY WHEEL ASSEMBLY

(1) ASSEMBLY REQUIRED PER MACHINE

CROSS TRAY WHEEL ASSEMBLY (1992–Present)

Parts List

Item No.	Part No.	Description
1.	123000	Wheel, Steel (Obsolete, use update kit no. 405020) ★
2.	120000	Tire (Obsolete, use update kit no. 405020) ★
3.	990080	Axle
4.	990173	Dust, Guard
5.	119024	Seal, Bearing
6.	102001	Bearing, Wheel Cone
7.	102002	Bearing, Wheel Race Cup
8.	990226	UHMW Wear Spacer
9.	990084	Wheel Mount Assembly
10.	990090	Wheel Fork Assembly
11.	900210	Mud Scraper
12.	900252	Scraper Bracket
Not Shown	990182	Complete Cross Tray Assembly

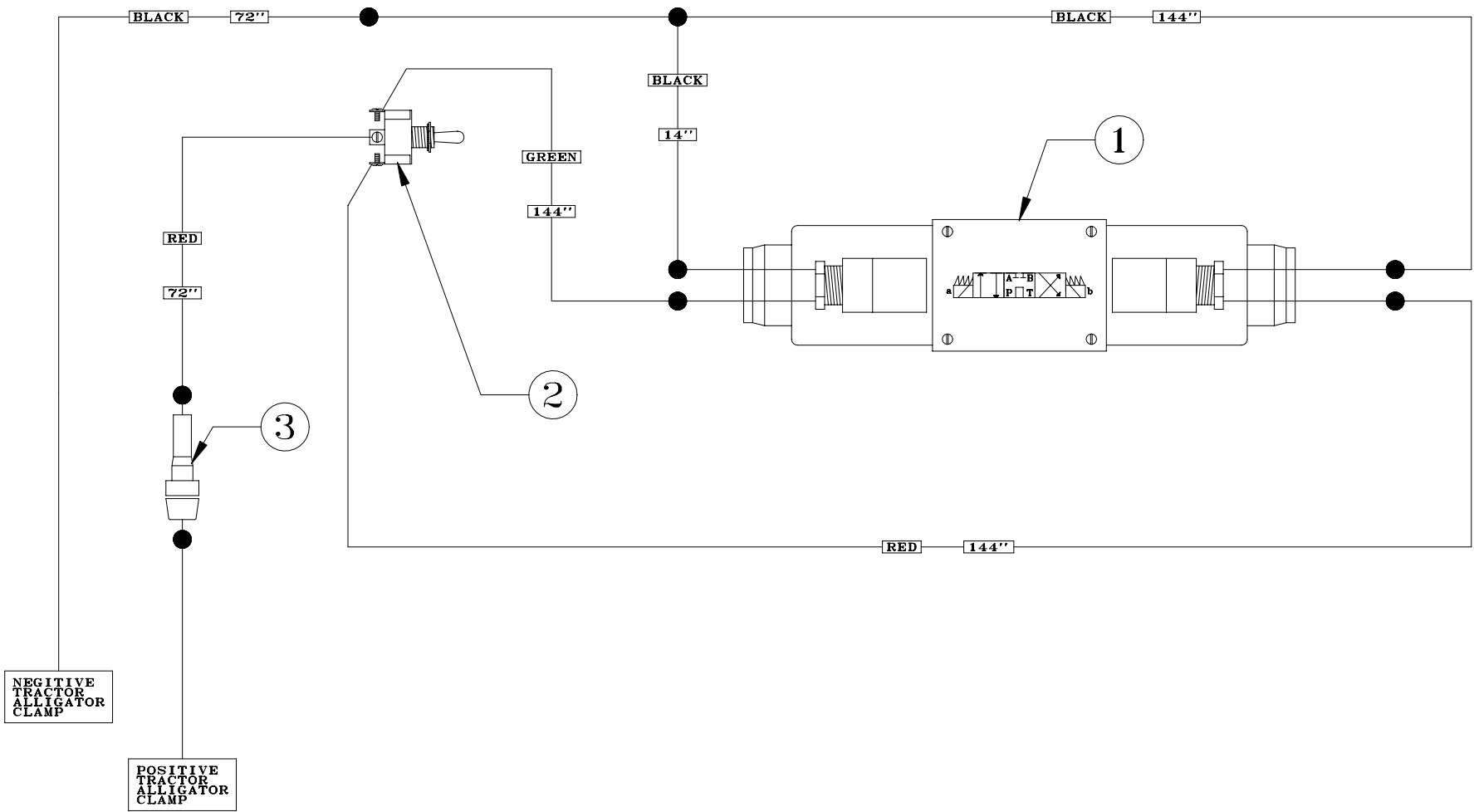
Hardware List

Item No.	Part No.	Description
A.		5/8" × 1" NC Hex Bolt
B.		5/8" Flat Washer
C.		3/16" Cotter Pin
D.		1" NF Castellated Hex Nut
E.		1/4" Roll Pin

Note: all part no.'s listed are manufactured or supplied on a built-to-order basis only. Please call Pickett Equipment for availability and lead-time.

★ See Service Update, Section 8, for complete parts breakdown of kit no. 405020.

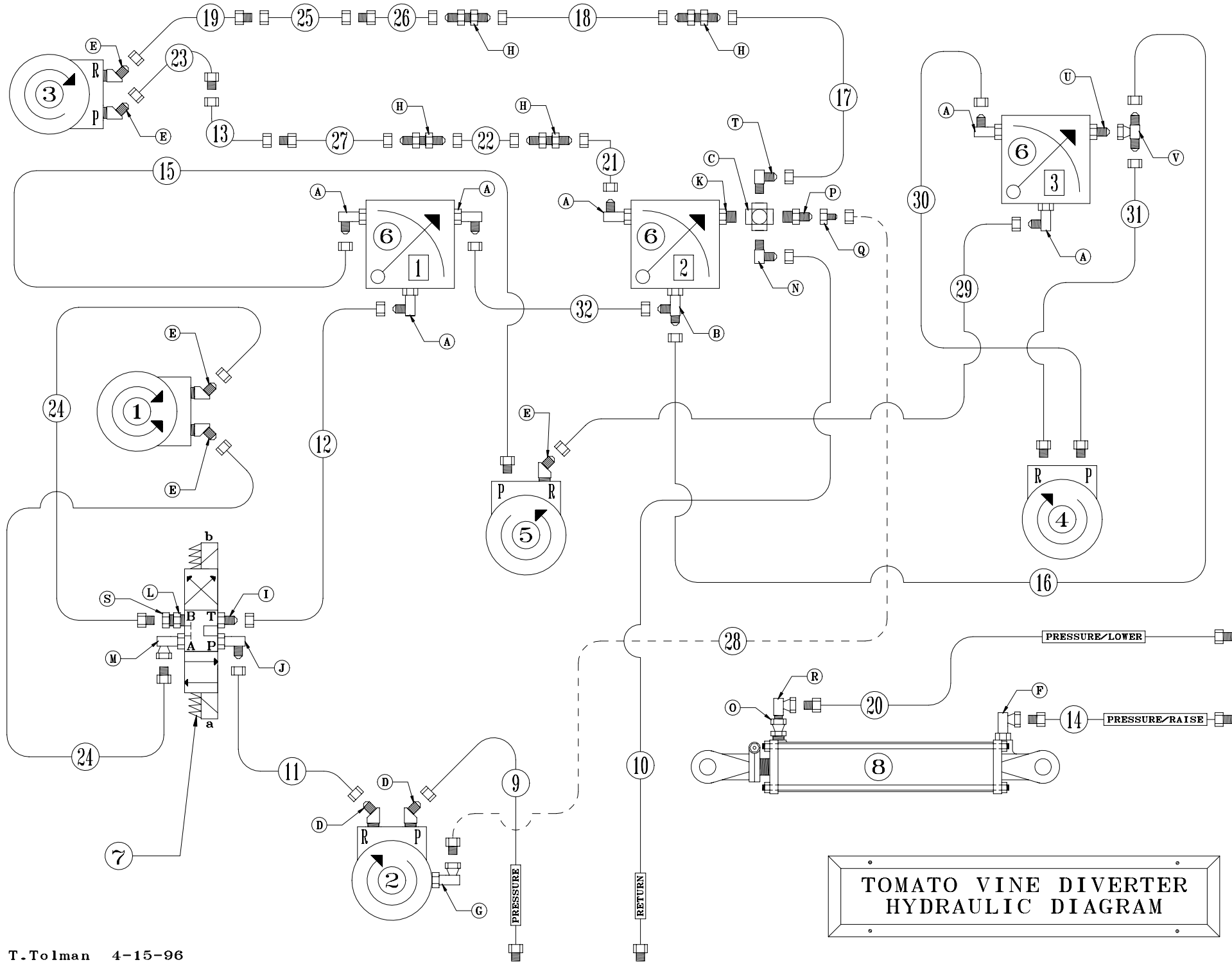
TOMATO VINE DIVERTER WIRING DIAGRAM



ELECTRICAL WIRING DIAGRAM (1996–Present)

Parts List

<u>Item No.</u>	<u>Part No.</u>	<u>Description</u>
1.	122036	Valve, Directional (Rex Roth)
2.	SS206C-BG	Switch, Toggle (single throw) (buy this part locally)
3.		Fuse, Buss (HRK-20 amp) (buy this part locally)



**TOMATO VINE DIVERTER
HYDRAULIC DIAGRAM**

HYDRAULIC DIAGRAM (1996–Present)

Parts List

<u>Item No.</u>	<u>Part No.</u>	<u>Description</u>
1.	113007	Motor, Hydraulic (Cross Tray Transversing) (Parker)
2.	113007	Motor, Hydraulic (Chain Case Drive) (Parker)
3.	113023	Motor, Hydraulic (Cross Tray Belt Drive) (MF Series)
4.	113022	Motor, Hydraulic (Vine Assist Drive) (MG Series)
5.	113023	Motor, Hydraulic (Header Tray Belt Drive) (MF Series)
6.	122024	Valve, Flow Control (O-Ring Style Porting)
7.	122036	Valve, Directional
8.	103027	Cylinder, Hydraulic (2½" × 8")
9.	108036	Hose, Pressure (R210U-108610-17600)
10.	108037	Hose, Return (R112U-112612-11000)
11.	108038	Hose, Return/Pressure (R210U-608610-08000)
12.	108039	Hose, Pressure (R208U-608668-01250)
13.	120005	Tube, ½" Steel (10')
14.	108040	Hose, Pressure/Raise (R206U-106108-11300)
15.	108041	Hose, Pressure (R208U-608P10-04400)
16.	108042	Hose, Return/Pressure (R208U-608668-02050)
17.	108043	Hose, Return/Pressure (R208U-608648-07800)
18.	108044	Hose, Return/Pressure (R208U-668668-05000)
19.	108045	Hose, Return/Pressure (R208U-608760-01850)
20.	108046	Hose, Pressure/Lower (R206U-106108-10000)
21.	108047	Hose, Pressure (R208U-668668-08200)
22.	108060	Hose, Pressure (R208U-668668-05000)
23.	108048	Hose, Pressure (R208U-608758-02350)
24.	108049	Hose, Pressure/Return (R206U-108608-20200)
25.	120006	Tube, 5/8" Steel (10')
26.	108145	Hose, Return/Pressure (R208U-668760-03050)
27.	108052	Hose, Pressure (R208U-668758-02750)
28.	108053	Hose, Case Drain (R104U-104604-02050)
29.	108146	Hose, Return/Pressure (R208U-608608-02200)
30.	108147	Hose, Pressure (R208U-608P10-02550)
31.	108148	Hose, Return/Pressure (R208U-608P10-03000)
32.	120004	½" × 90° Steel Line (Pressure) 800

This page was
left blank
intentionally

HYDRAULIC DIAGRAM (1996–Present)

Hardware List

<u>Item No.</u>	<u>Part No.</u>	<u>Description</u>
A.	101080	6801-8-12, O-Ring 90°/Male
B.	101146	6804-8-12-8, O-Ring Tee/Male
C.	101059	5652-12-12-12-12, Standard Cross
D.	101082	6802-10-10, O-Ring 45°/Male
E.	101120	6802-8-10, O-Ring 45°/Male
F.	101156	6901-6-6, O-Ring 90°/Female
G.	101091	6901-4-4, O-Ring 90°/Female
H.	101041	2700-8-8, Standard Straight Connector
I.	101066	6400-8-8, O-Ring Straight/Male
J.	101081	6801-8-8, O-Ring 90°/Male
K.	101067	6401-12-12, O-Ring Straight/Male
L.	101087	6900-8-8, O-Ring Straight/Female
M.	101092	6901-8-8, O-Ring 90°/Female
N.	101027	2501-12-12, Standard 90°/Male
O.	101155	6900-6-6, O-Ring Straight/Female
P.	101018	2404-8-12, Standard Straight/Male
Q.	101025	2406-8-4, Standard Reducer/Female to Male
R.	101157	1501-6-6R, Standard 90°/Female (Restrictor)
S.	101158	1404-8-8R, Standard Straight/Female (Restrictor)
T.	101030	2501-8-12, Standard 90°/Male
U.	101115	6400-8-12, O-Ring Straight/Male
V.	101138	6600-8-8-8, Standard Tee/Male