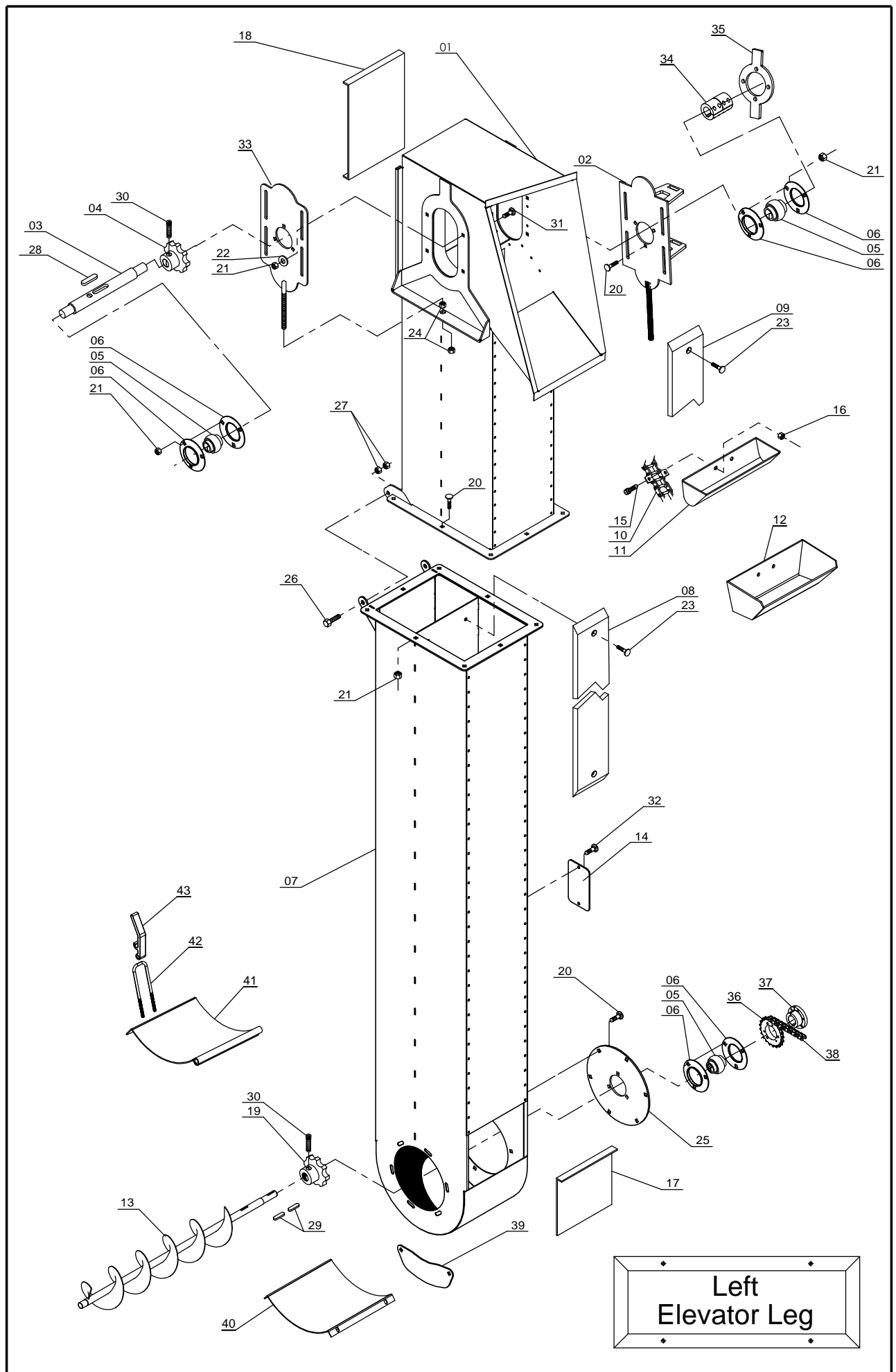


# Twin Master Combine

---

LH Elevator Leg..... 2-4

Return to this page by clicking the upper right corner of any page in this section.



## Left Elevator Leg

### Parts List

<u>Item</u>	<u>Part No.</u>	<u>Qty</u>	<u>Description</u>
1.	063.557-9	1	Upper Elevator Leg Housing
2.	008.365-3	1	Elevator Leg Chain Tightener / Motor Mount Bracket
3.	3.407.0129-6	1	Shaft, Left Upper Elevator Leg (motor driven)
4.	3.823.0020-6	1	Sprocket, Upper Elevator Leg 80B17 x 40mm
5.	102100	3	Bearing, 35mm Insert
6.	106049	3	Flangette, 72 MS (pair)
7.	039.545-3	1	Left Lower Elevator Housing
8.	052.901-2	2	Wooden Chain Guide, Lower Elevator Leg
9.	3.921.0008-9	2	Wooden Chain Guide, Upper Elevator Leg
10.	105.983-7	1	Elevator Chain
11.	010.513-0	69	Elevator Bucket
12.	520201	1	Steel Elevator Bucket
13.	055.470-2	1	Auger, Left Elevator Leg
14.	3.404.0805-1	4	Chain Guide Access Cover
15.	3.901.0027-1	140	Carriage Bolt, M8 x 20mm
16.	3.902.0008-8	140	Lock Nut, M8
17.	3.404.0820-5	2	Lower Leg Access Cover
18.	3.404.0821-3	1	Upper Leg Access Cover
19.	027.099-3	1	Sprocket, Lower Elevator Leg, 80B17x1 1/2" (8mm x 10mm Key)
20.	3.901.0189-2	09	Carriage Bolt, M10 x 20mm
21.	3.902.0032-2	21	Nut, M10
22.	3.934.0003-3	9	Flat Washer, 3/8"
23.	3.901.0024-7	16	Carriage Bolt, 5/16" x 1 1/4"
24.	3.902.0016-9	4	Nut, 5/8"
25.	3.104.1722-6	1	Lower Elevator Leg Bearing / Flangette Mounting Plate
26.	3.901.0157-6	2	Bolt, 1/2" x 1 1/4"
27.	3.902.0054-1	4	Nut, 1/2"
28.	111009		Keystock, 12mm x 8mm (12")
29.	111008		Keystock, 10mm x 8mm (12")
30.	3.901.0005-2	4	Set Screw, 1/2" x 1"
31.	3.901.0129-2	8	Carriage Bolt, M10 x 25mm
32.	3.901.0110-5	8	Bolt, M8 x 20mm
33.	038.872-6	1	Elevator Leg Chain Tightener Bracket
34.	103155	1	1" x 35mm Split Coupler
35.	3.408.0036-7	1	Hydraulic Motor Mount, Upper Elevator Leg
36.	119228	1	Sprocket, Elevator Auger 50SDS21
37.	102147	1	Bushing, Elevator Auger SDS 35mm
38.	103055	69.375"	RS 50 Chain
39.	036.628-1	1	Lower Elevator Leg Clean-out (2006 – only)
40.	511032	1	Lower Elevator Leg Clean-out (2007 – 2009)

---

## Left Elevator Leg

### Parts List

<u>Item</u>	<u>Part No.</u>	<u>Qty</u>	<u>Description</u>
41.	103.518-9	1	Lower Elevator Leg Clean-out (2010 – Present)
42.	121020	1	Lower Elevator Leg Clean-out U-bolt (2010 – Present)
43.	002.186-7	1	Lower Elevator Leg Clean-out Latch (2010 – Present)