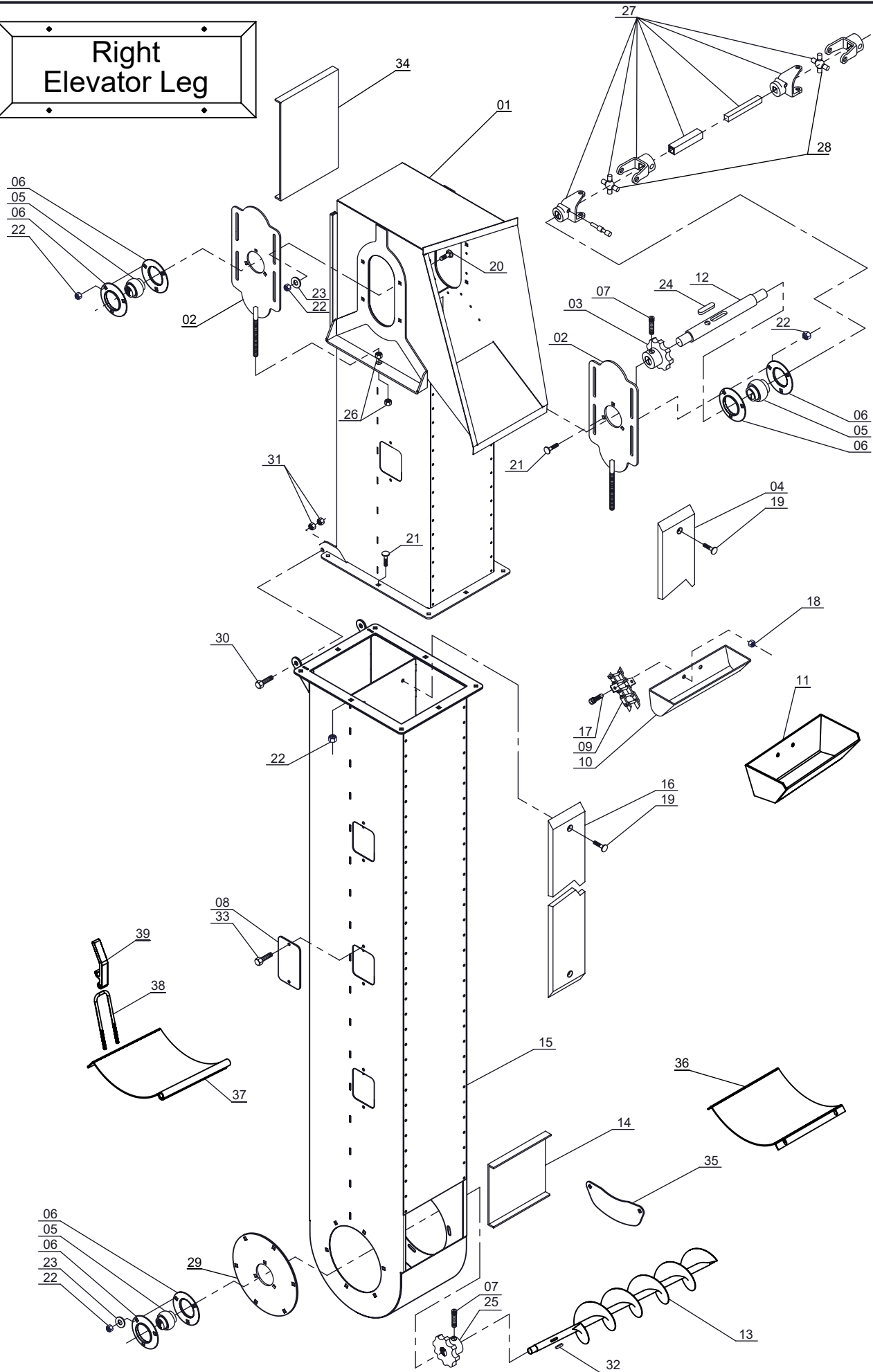


Twin Master Combine

RH Elevator Leg 2-3

Return to this page by clicking the upper right corner of any page in this section.

Right Elevator Leg



Right Elevator Leg

Parts List

<u>Item</u>	<u>Part No.</u>	<u>Qty</u>	<u>Description</u>
1.	063.557-9	1	Upper Elevator Leg Housing
2.	038.872-6	2	Elevator Leg Chain Tightener Bracket
3.	3.823.0020-6	1	Sprocket, Upper Elevator Leg 80B17 x 40mm
4.	3.921.0008-9	2	Wooden Chain Guide, Upper Elevator Leg
5.	102100	3	Bearing, 35mm Insert
6.	106049	3	Flangette, 72 MS (pair)
7.	3.901.0005-2	4	Set Screw, 1/2" x 1"
8.	3.404.0805-1	4	Chain Guide Access Cover
9.	105.983-7	1	Elevator Chain
10.	010.513-0	69	Elevator Bucket
11.	520201	1	Steel Elevator Bucket
12.	3.407.0130-3	1	Shaft, Right Upper Elevator Leg
13.	053.823-0	1	Auger, Right Elevator Leg
14.	3.404.0820-5	2	Lower Leg Access Cover
15.	036.201-5	1	Right Lower Elevator Leg Housing
16.	052.901-2	2	Wooden Chain Guide, Lower Elevator Leg
17.	3.901.0027-1	140	Carriage Bolt, M8 x 20mm
18.	3.902.0008-8	140	Lock Nut, M8
19.	3.901.0024-7	16	Carriage Bolt, 5/16" x 1 1/4"
20.	3.901.0129-2	8	Carriage Bolt, M10 x 25mm
21.	3.901.0189-2	09	Carriage Bolt, M10 x 20mm
22.	3.902.0032-2	17	Nut, M10
23.	3.934.0003-3	9	Flat Washer, 3/8"
24.	111009		Keystock, 12mm x 8mm (12")
25.	027.099-3	1	Sprocket, Lower Elevator Leg, 80B17x1 1/2" (8mm x 10mm Key)
26.	3.902.0016-9	4	Nut, 5/8"
27.	06194194/2000PT	1	Driveline, Upper Elevator Leg (includes all parts shown & shield)
28.	006	2	Cross & Bearing Kit (Replacement for item 27)
29.	3.104.1722-6	1	Lower Elevator Leg Bearing / Flangette Mounting Plate
30.	3.901.0157-6	2	Bolt, 1/2" x 1 1/4"
31.	3.902.0054-1	4	Nut, 1/2"
32.	111008		Keystock, 10mm x 8mm (12")
33.	3.901.0110-5	8	Bolt, M8 x 20mm
34.	3.404.0821-3	1	Upper Elevator Leg access Cover
35.	036.628-1	1	Lower Elevator Leg Clean-out (2006 – only)
36.	511032	1	Lower Elevator Leg Clean-out (2007 – 2009)
37.	103.518-9	1	Lower Elevator Leg Clean-out (2010 – Present)
38.	121020	1	Lower Elevator Leg Clean-out U-bolt (2010 – Present)
39.	002.186-7	1	Lower Elevator Leg Clean-out Latch (2010 – Present)