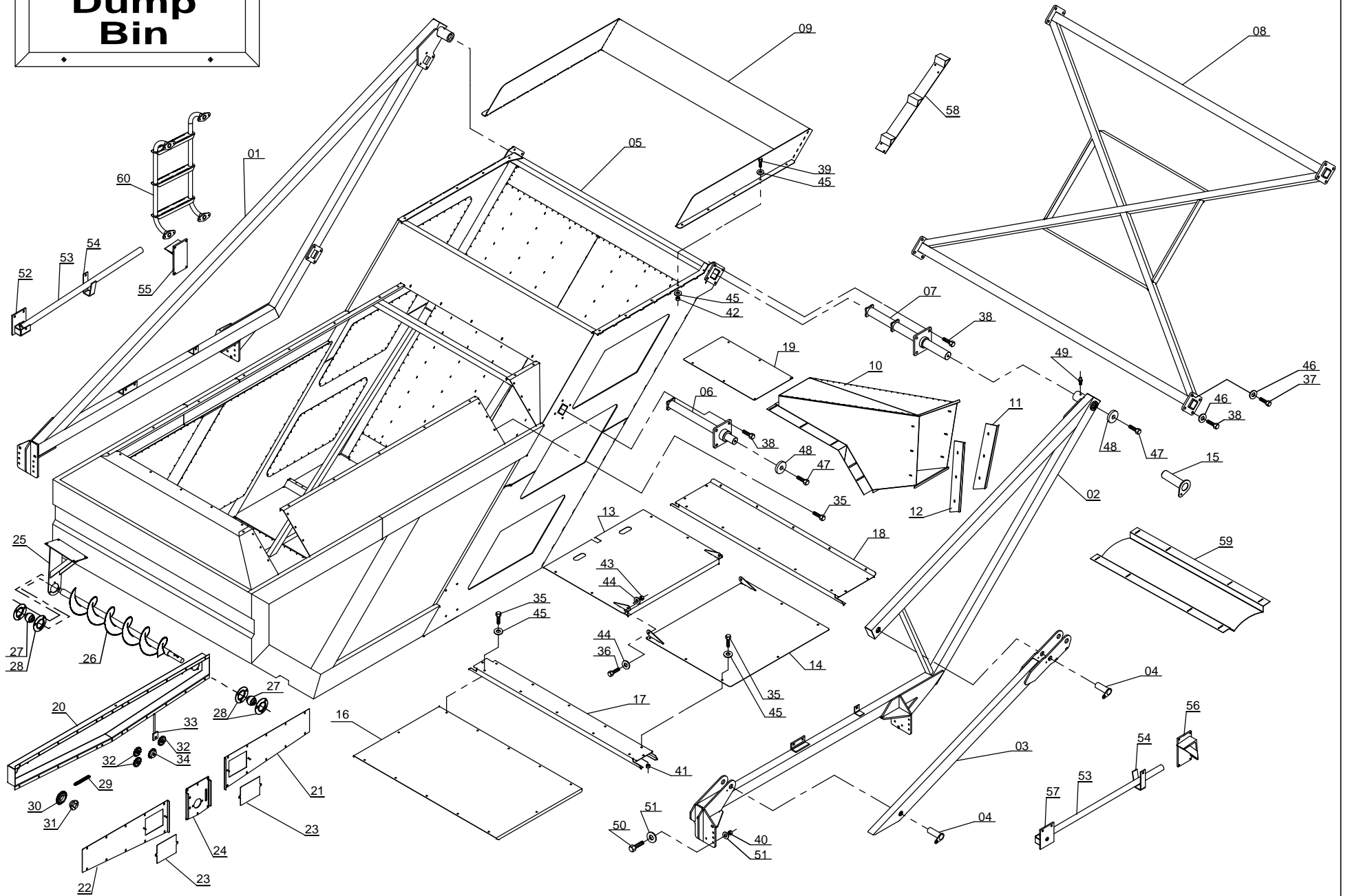


Twin Master Combine

Dump Bin..... 2-4

Return to this page by clicking the upper right corner of any page in this section.

Dump Bin



Dump Bin

Parts List

<u>Item</u>	<u>Part No.</u>	<u>Qty</u>	<u>Description</u>
1.	3.503.0167-5	1	Dump Bin Lift Frame, Front
2.	3.503.0166-7	1	Dump Bin Lift Frame, Rear
3.	3.503.0171-5	1	Removable Support Brace Arm
4.	046.341-6	2	Pin, Removable Support Brace Arm
5.	3.503.0158-6	1	Dump Bin
6.	3.503.0159-4	2	Pin, Hydraulic Cylinder Pivot
7.	3.503.0160-1	2	Pin, Dump Bin Frame Pivot
8.	3.503.0162-6	1	Dump Bin Lift Frame Cross Brace
9.	073.598-8	1	Dump Bin Lip Extension
10.	070.156-1	2	Dump Bin Chute with Adjustable Sides (2013-Present)
10a.	3.503.0161-8		Dump Bin Chute (2006-2012)(replaced by Items 10, 11 & 12)
11.	114.971-6	2	RH Dump Bin Chute Adjustment (2013-Present)
12.	114.972-0	2	LH Dump Bin Chute Adjustment (2013-Present)
13.	3.503.0164-2	1	Hinged Inspection Door
14.	3.503.0165-9	1	Inspection Cover
15.	3.503.0168-3	2	Pin, Lower Hydraulic Cylinder
16.	3.504.0502-2	1	Large Inspection Cover Plate
17.	3.504.0514-4	3	Upper Bin Cross Support
18.	3.504.0515-2	1	Right Bin Cross Cover Plate
19.	3.504.0531-4	2	Chute Inspection Plate
20.	3.503.0174-8	1	Leveling Auger / Motor Mount Box Assembly
21.	3.504.0538-8	1	Cover Plate, Auger / Motor Mount, Right Hand
22.	3.504.0537-1	1	Cover Plate, Auger / Motor Mount, Left Hand
23.	510104	2	Inspection Cover
24.	3.508.0106-4	1	Leveling Auger Motor Mount
25.	510407	2	Leveling Auger End Mount
26.	029.678-6	2	Leveling Auger
27.	102100	4	Bearing, 35mm Insert
28.	106049	4	Flangette, 72MS (pair)
29.	103055	178.75"	Chain, RS – 50
30.	119228	2	Sprocket, Leveling Auger 50SDS21
31.	102147	2	Bushing, SDS 35mm
32.	119010	3	Sprocket, 50 – 13 Idler
33.	511079	1	Draw Bolt
34.	119006	1	Sprocket, 50BS15 x 1"
35.	3.901.0025-5	46	Carriage Bolt, 5/16" x 3/4"
36.	3.901.0039-3	2	Bolt, 1/2" x 1 1/2"
37.	3.901.0115-6	8	Bolt, 3/4" x 1"
38.	3.901.0117-9	24	Bolt, 3/4" x 2"
39.	3.901.0057-1	20	Bolt, 3/8" x 1"

Dump Bin

Parts List

<u>Item</u>	<u>Part No.</u>	<u>Qty</u>	<u>Description</u>
40.	3.902.0016-9	8	Nut, 5/8"
41.	3.902.0015-2	46	Nut, 5/16"
42.	3.902.0014-4	22	Nut, 3/8"
43.	3.902.0010-6	2	Lock Nut, 1/2"
44.	3.904.0006-3	4	Flat Washer, 1/2"
45.	3.934.0003-3	56	Flat Washer, 3/8"
46.	3.904.0008-5	24	Flat Washer, 3/4"
47.	3.901.0075-8	4	Bolt, 5/8" x 1"
48.	069.574-5	4	Washer, Pivot Pin
49.	3.905.0004-7	2	Grease Zerk, 1/4" UNF (straight)
50.	3.901.0077-4	28	Bolt, 5/8" x 2"
51.	3.934.0005-8	28	Flat Washer, 5/8"
52.	510848	1	Front Safety Stop Lower Mount
53.	510853	2	Safety Stop Pipe
54.	510855	2	Safety Stop Pipe Cradle
55.	510840	1	Front Bin Safety Stop Assembly
56.	510841	1	Rear Bin Safety Stop Assembly
57.	510849	1	Rear Safety Stop Lower Mount
58.	511080	1	Dump Bin Inside Ladder
59.	510662	2	Concave Cover
60.	110.205-5	1	Dump Bin Outside Ladder