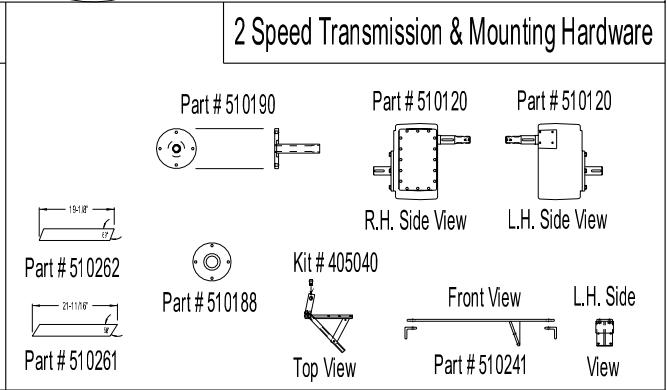
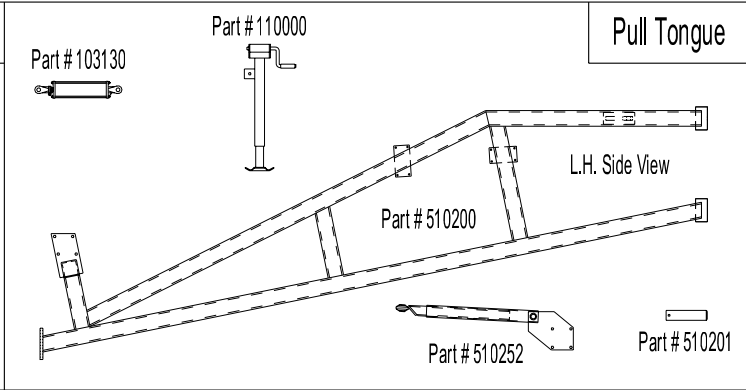
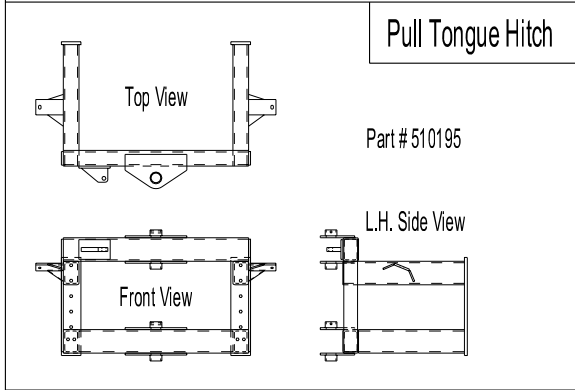
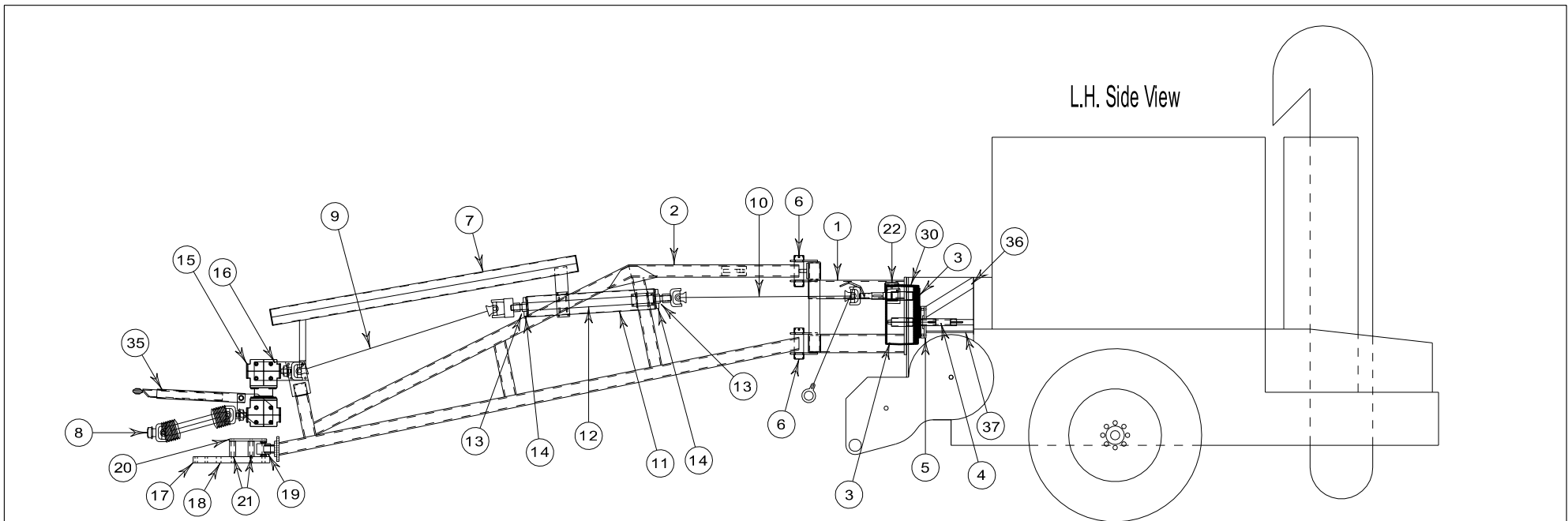


# Service Updates

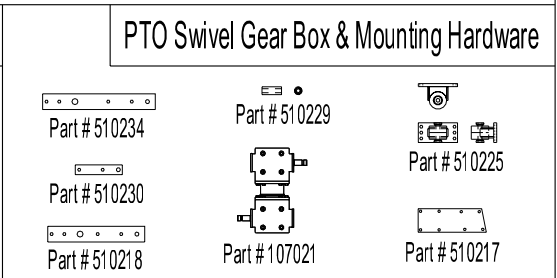
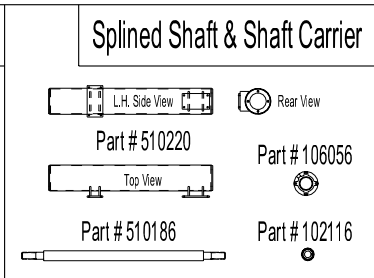
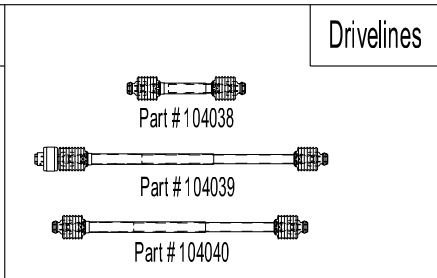
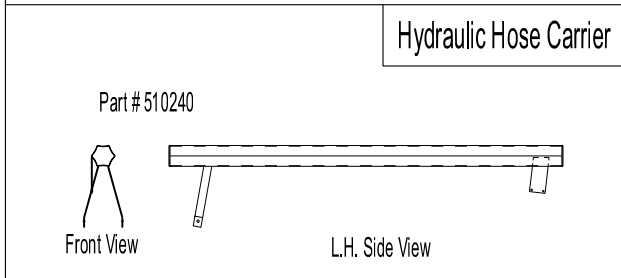
---

Transmission with Offset Pull Tongue (405036) 2001 to 2005 .....	2-3
Transmission with Mounting Kit (405037) 2001 to 2005 .....	4-5
Transmission Mounting Instructions (510242) 2001 to 2005 .....	6-9
Transmission with Offset Pull Tongue (405038) 2000 only .....	10-11
Transmission with Mounting Kit (405039) 2000 only .....	12-13
Transmission Mounting Instructions (510260) 2000 only .....	14-19
Shift Lever Kit (405040).....	20-21
Jack Update Kit (405062).....	22-23
Rear Ladder Kit (511212).....	24-25
Elevator Hinged Door Kit (511215) .....	26-28
DMP Shaker Arm Update Kit (405059) .....	29

Return to this page by clicking the upper right corner of any page in this section.



**2001 to Present Double Master Plus  
2 Speed Transmission with Offset Pull Tongue Hitch # 405036**



## 2001 to Present Double Master Plus

### 2 Speed Transmission with Offset Pull Tongue Hitch Kit #405036

#### Parts List

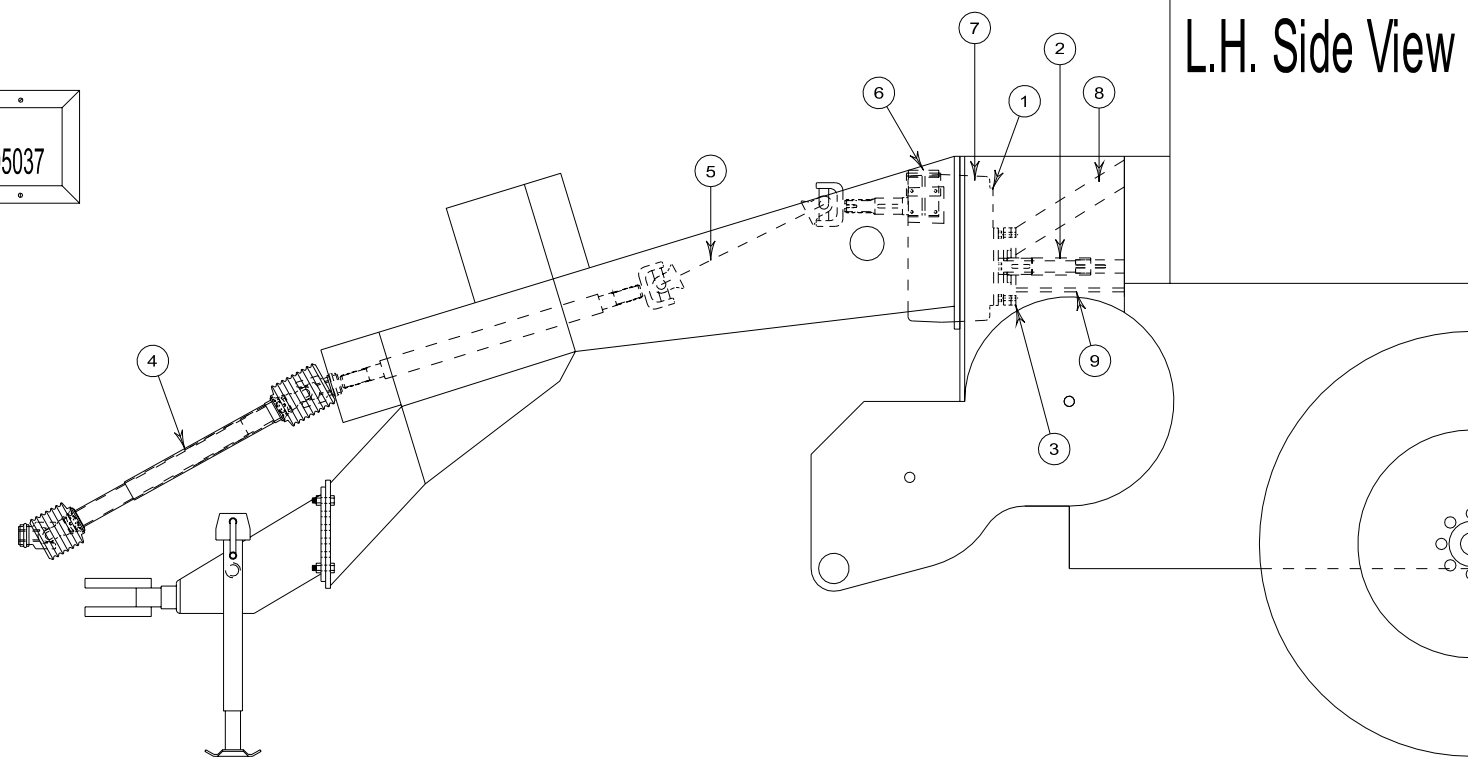
<u>Item No.</u>	<u>Part No.</u>	<u>Qty</u>	<u>Description</u>
1.	510195	1	Pull Tongue Hitch (2001 to Present)
2.	510200	1	Pull Tongue
3.	510120	1	2 Speed Transmission (complete)
4.	510190	1	Transmission Mounting Jig (1-3/4" female receiver)
5.	510188	1	Transmission Mounting Plate
6.	510201	2	Pull Tongue Swivel Pin
7.	510240	1	Hydraulic Hose Carrier
8.	104038	1	Driveline, Primary (1-3/4" 20 Spline to 1-3/8" 21 Spline)
9.	104039	1	Driveline, Front Secondary (1-3/8" 21 Spline to 1-3/4" Overrunning Clutch)
10.	104040	1	Driveline, Rear Secondary (1-3/4" 20 Spline to 1-3/4" 20 Spline)
11.	510220	1	Splined Shaft Carrier
12.	510186	1	Splined Shaft (1-3/4" 20 Spline to 1-3/4" 20 Spline)
13.	102116	2	Bearing, 45mm Insert
14.	106056	2	Flange, 45mm (4 hole Round)
15.	107021	1	PTO Swivel Gear Box
16.	510217	2	Front Mounting Plate (Swivel Gear Box)
17.	510218	1	Draw Bar Extension (for use with 1-3/4" 1000 PTO Tractors)
18.	510234	1	Draw Bar Extension (for use with 1-3/8" 1000 PTO Tractors)
19.	510225	1	Dura-Ball Hitch
20.	510230	1	Dura-Ball Top Plate
21.	510229	2	Dura-Ball Spacer
22.	510241	1	Stabilizer Mount (2 Speed Transmission)
23.	110000	1	Jack, Sidewinder
24.	105000	1	Dickey-john Cable Extension (not shown)
25.	101160	2	Quick Couplers (not shown)
26.	101092	2	Adapter, Hydraulic (6901-8-8) (not shown)
27.	108227	6	Hose, Hydraulic (8M2T-8MP8FP-07200) (not shown)
28.	108228	2	Hose, Hydraulic (6M2T-8MP8MP-24500) (not shown)
29.	103130	1	Cylinder, Hydraulic 3" x 8" (ASAE)
30.	405040	1	Shift Lever Kit (2 Speed Transmission)
31.	119213	3	Sprocket, 60B20 x 1-3/4" (not shown)
32.	119214	1	Sprocket, 60B20 x 2-1/8" (not shown)
33.	103138	2	Chain, 60B20 Coupler (not shown)
34.	510243	1	Shaft, Coupler (1-3/4" O.D. Shaft 2-3/4" Long) (not shown)
35.	510252	1	Stabilizer Mount (PTO Swivel Gear Box)
36.	510261	2	Top Support Plate (2 Speed Transmission)
37.	510262	2	Bottom Support Plate (2 Speed Transmission)
38.	510242	1	Mounting Instructions (2 Speed Transmission / 2001-Present)

#### Hardware List

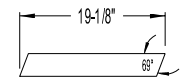
<u>Item No.</u>	<u>Part No.</u>	<u>Qty</u>	<u>Description</u>
A.	106060	1	1-1/2" x 6-1/2" NC Hex Bolt (with Lockwasher & Nut)
B.	106061	1	1" x 9" NC Hex Bolt (with Lockwasher & Nut)
C.	106062	2	3/4" x 9" NC Hex Bolt (with Lockwashers & Nuts)
D.	106063	2	3/4" x 5-1/2" NC Hex Bolt (with Lockwashers & Nuts)
E.	103121	2	Connection Link 60-2
F.		1	3/8" Keystock (2-3/4" Long)
G.		1	3/8" Keystock (3-7/8" Long)
H.		1	1/2" Keystock (2-1/2" Long)

L.H. Side View

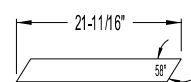
2001 to Present Double Master Plus  
2 Speed Transmission with Mounting Kit # 405037



### 2 Speed Transmission & Mounting Hardware



Part # 510262



Part # 510261

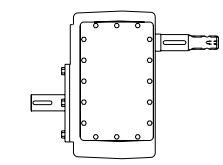


Part # 510190



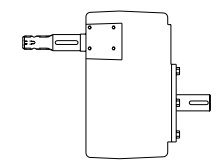
Part # 510188

Part # 510120



R.H. Side View

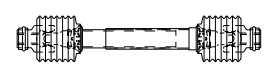
Part # 510120



L.H. Side View



Part # 104032



Part # 104042

Top View



Kit # 405040

Front View



Part # 510241

L.H. Side View



View

## 2001 to Present Double Master Plus 2 Speed Transmission with Mounting Kit #405037

### Parts List

<u>Item No.</u>	<u>Part No.</u>	<u>Qty</u>	<u>Description</u>
1.	510120	1	2 Speed Transmission (complete)
2.	510190	1	Transmission Mounting Jig (1-3/4" female receiver)
3.	510188	1	Transmission Mounting Plate
4.	104032	1	Driveline, Primary
5.	104042	1	Driveline, Secondary
6.	510241	1	Stabilizer Mount (2 Speed Transmission)
7.	405040	1	Shift Lever Kit (2 Speed Transmission)
8.	510261	2	Top Support Plate (2 Speed Transmission)
9.	510262	2	Bottom Support Plate (2 Speed Transmission)
10.	119213	3	Sprocket, 60B20 x 1-3/4" (not shown)
11.	119214	1	Sprocket, 60B20 x 2-1/8" (not shown)
12.	103138	2	Chain, 60B20 Coupler (not shown)
13.	510243	1	Shaft, Coupler (1-3/4" O.D. Shaft 2-3/4" Long) (not shown)
14.	510242	1	Mounting Instructions (2 Speed Transmission / 2001-Present)

### Hardware List

<u>Item No.</u>	<u>Part No.</u>	<u>Qty</u>	<u>Description</u>
A.		4	5/8" x 2" NC Hex Bolt
B.		4	5/8" Lockwasher
C.	103121	2	Connection Link 60-2
D.		1	3/8" Keystock (2-3/4" Long)
E.		1	3/8" Keystock (3-7/8" Long)
F.		1	1/2" Keystock (2-1/2" Long)

# 510242 Instructions for mounting transmission on a 2001 to Present DMP  
(use with Kit #'s 405036 and 405037)

1. Remove driveline from end of threshing cylinder. Alignment jig (part # 510190) will need to fit on shaft a minimum of 2" in most cases. The sprocket will also need to be removed from the cylinder shaft to allow the proper fit of the alignment jig. (Figure 1)
2. Unbolt flow divider and synchronizing valve. (Figure 2)
3. An access through the walkway will make installation and maintenance easier this should be approximately 18" x 36". Use extreme care not to cut any wires or hydraulic hoses. Weld strips under the walkway as shown, then place piece removed back in place and mark holes from bottom side, drill holes and set aside. (Figure 3)
4. The 3-1/8" x 4-3/4" tube (Cut flow divider mount off and save till later) and sheet metal angle under the walkway can now be removed. (Figure 2) A. \*
5. Bolt transmission mounting plate (part # 510188) to transmission mounting jig assembly (part # 510190) Slide jig and mount assembly onto the end of the threshing cylinder shaft until jig stops at shoulder on the inside of the jig this will make the front of the transmission mounting plate 8-1/2" from the end of the threshing cylinder shaft. Start with the mounting jigs four bolt holes at 12, 3, 6, and 9 o'clock positions. Now rotate the assembly counterclockwise 20°. (As viewed from the front of the combine looking back). (Figure 4)
6. You can now place the flat bar supports in place (Top Support Plates # 510261), (Bottom Support Plates #510262). Use care to leave room for the drive chain for the feeder auger and the coupling sprockets. (Figures 5 & 6)
7. Weld supports to combine and transmission mount only, jig # 510190 will be removed after all welding is done and cooled. (Figure 7)
8. Drive sprocket and chain for the feeder auger can now be installed and tightened. (Figure 7)
9. Next install one of the 60B20 x 1-3/4" sprockets (Part # 119213) flush with the end of the cylinder shaft, but do not tighten at this time. (Do not force sprocket onto the shaft as it may need to be aligned later. (Figure 8)
10. Before installing the transmission (Part # 510120), fit the 60B20 x 2-1/8" sprocket (Part # 119214) and 1/2" keystick to the transmission shaft, and set sprocket aside. Transmission can now be installed on the combine. After transmission is securely mounted sprocket can be placed on transmission shaft but do not tighten. (Figure 8)
11. The remaining two 60B20 x 1-3/4" (Part # 119213) sprockets can now be placed on the 2-3/4" long coupling shaft (Part # 510243), align sprocket faces with the ends of the shaft. Install coupling shaft assembly between the transmission shaft and cylinder shaft using coupling chains (Part # 103138). Align sprockets to remove any side load on the coupling chains. Set screws in the sprockets can now be tightened. B. \* (Figure 9)
12. Transmission stabilizer (Part # 510241) can now be installed. (Figure 10 & 11)
13. Weld flow divider mount that was removed in Step 4 on to the transmission stabilizer (Part # 510241).

14. Reinstall flow divider, synchronizing valve, hose holder (Part # 510240) and hoses. C. \*
15. Install drivelines (Part # 104032, & 104042), check oil level in transmission, check for loose or missing bolts and bolt center part of walkway into place. D.\*
16. You are now ready to hook combine to a tractor and test run.

\*If changing tongue to DMP SP read the following special instructions.

Before removing hitch, be sure to securely block all four corners of the combine. It will become extremely back heavy without the tongue. Removing the original tongue before proceeding with transmission installation will allow easier access.

- A. \* The 3-1/8" x 4-3/4" tube will not need to be removed in this application, but you will need to cut the flow divider mount off and save till later and remove the sheet metal angle under the walkway.
- B. \* Pull Tongue Hitch assembly # 510195 and Pull Tongue # 510200 will need to be installed before proceeding.
- C. \* Hoses and Dickey-john monitor cable will need to be lengthened.
- D. \*Install drivelines (Part # 104038, 104039 & 104040).

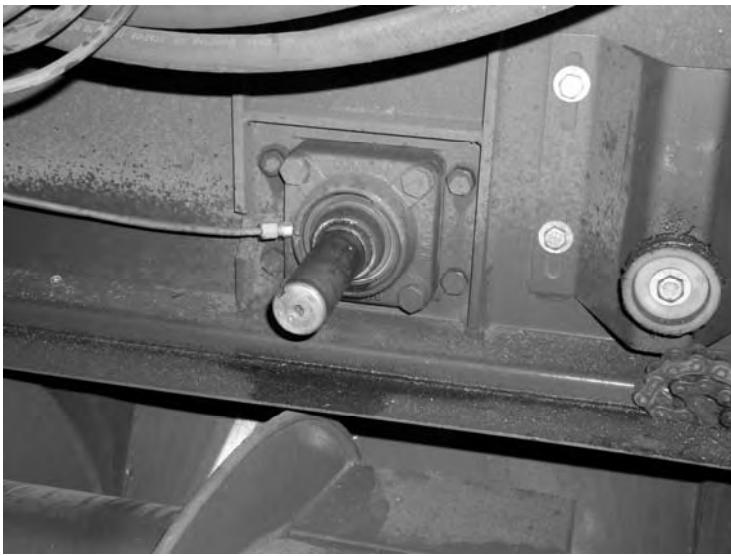


Figure 1

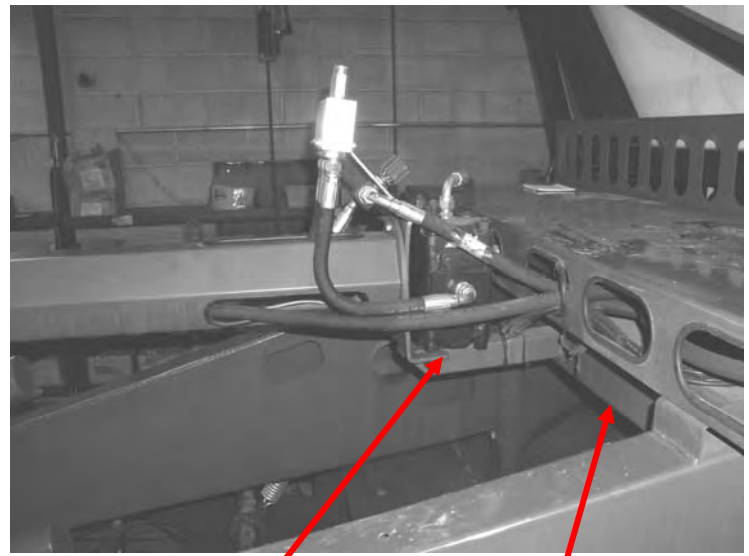


Figure 2 Save this mount Remove this tubing

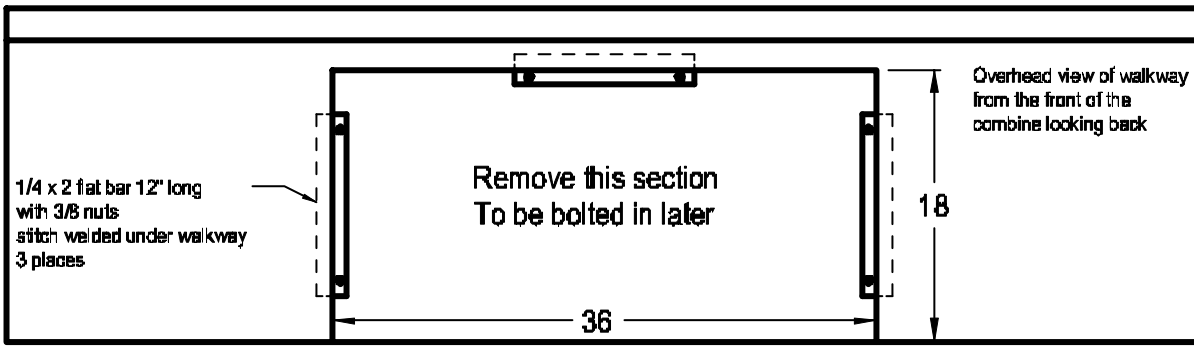


Figure 3

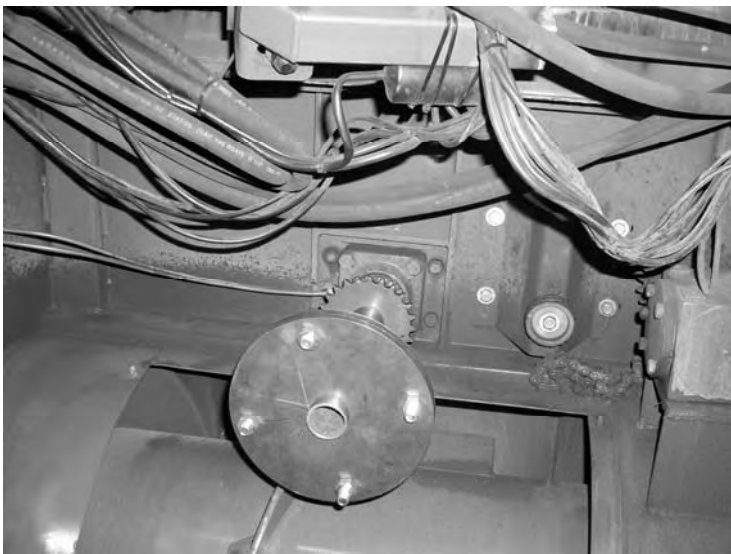


Figure 4

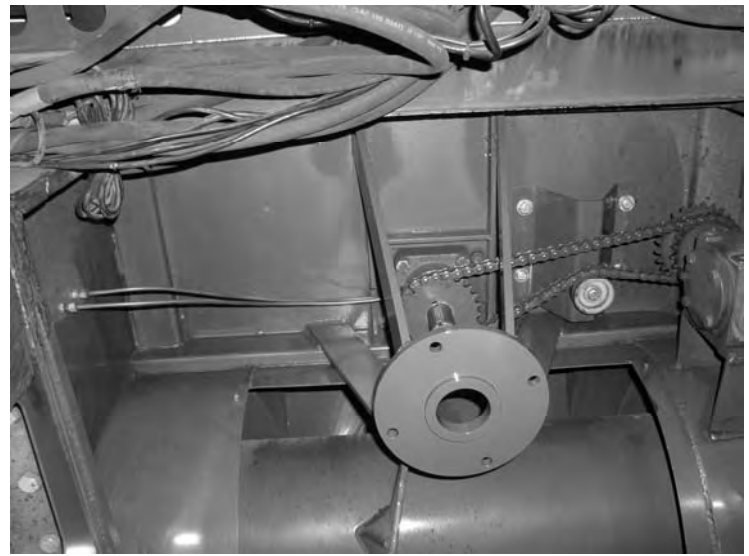


Figure 5

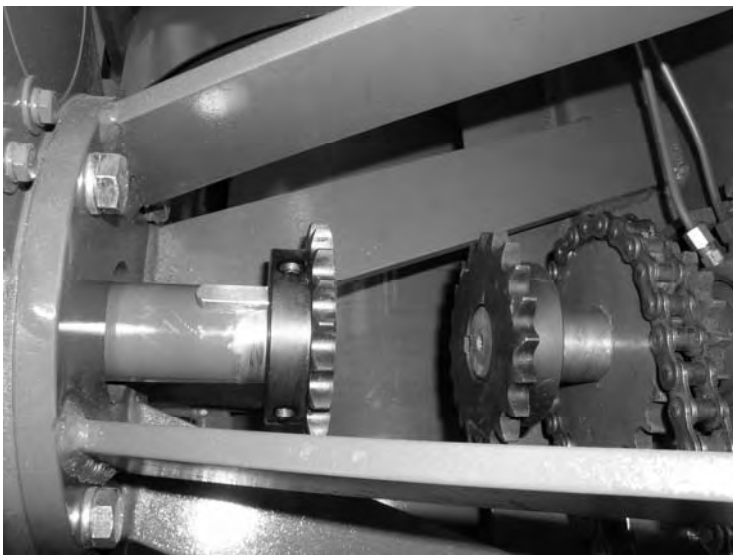




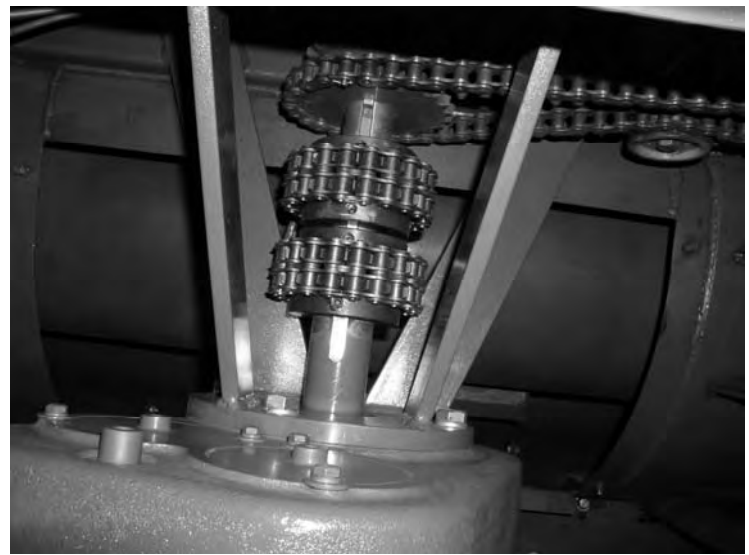
**Figure 6**



**Figure 7**



**Figure 8**



**Figure 9**

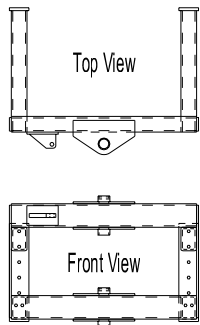
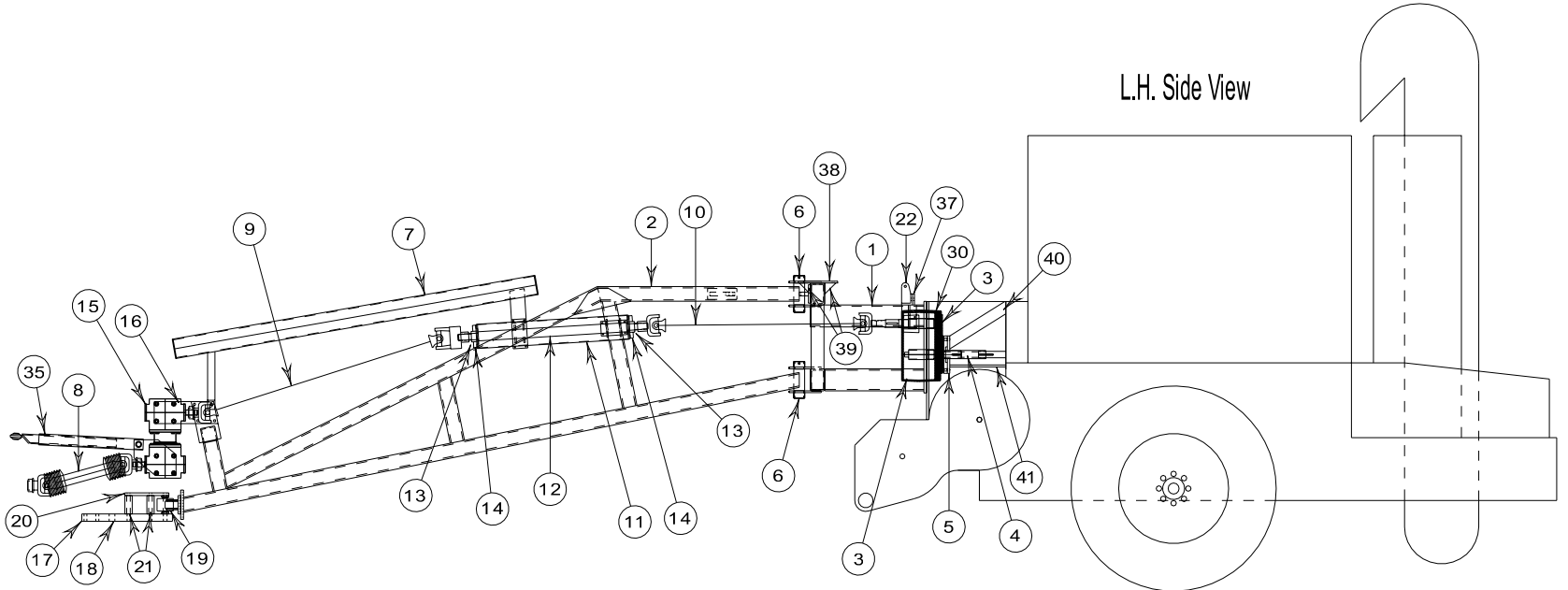
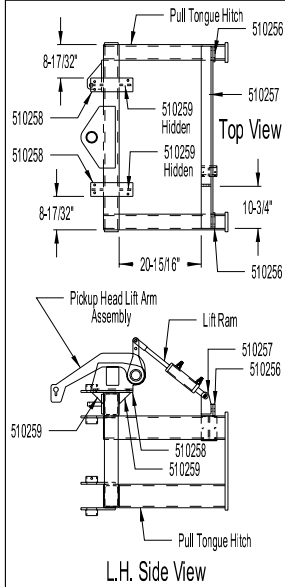


**Figure 10**



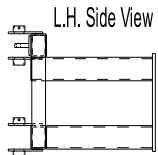
**Figure 11**

# Pickup Head Lift Mounts

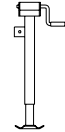


## Pull Tongue Hitch

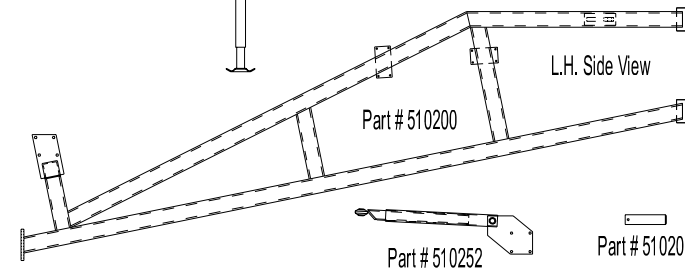
Part # 510255



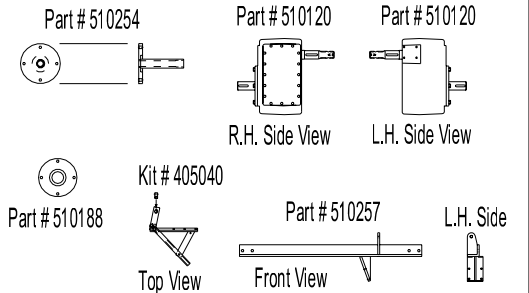
Part # 110000



## Pull Tongue



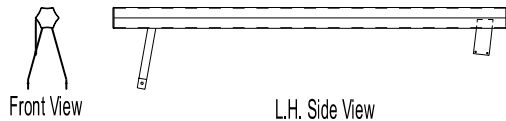
## 2 Speed Transmission & Mounting Hardware



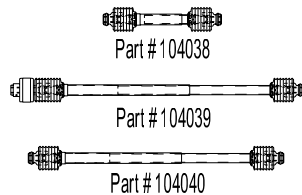
# Model 2000 Double Master Plus 2 Speed Transmission with Offset Pull Tongue Hitch # 405038

## Hydraulic Hose Carrier

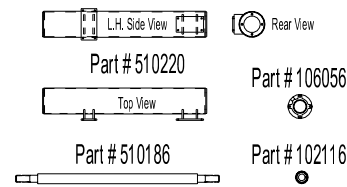
Part # 510240



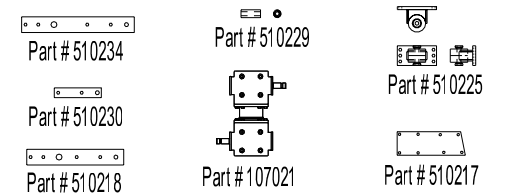
## Drivelines



## Splined Shaft & Shaft Carrier



## PTO Swivel Gear Box & Mounting Hardware



## Model 2000 Double Master Plus

### 2 Speed Transmission with Offset Pull Tongue Hitch Kit #405038

#### Parts List

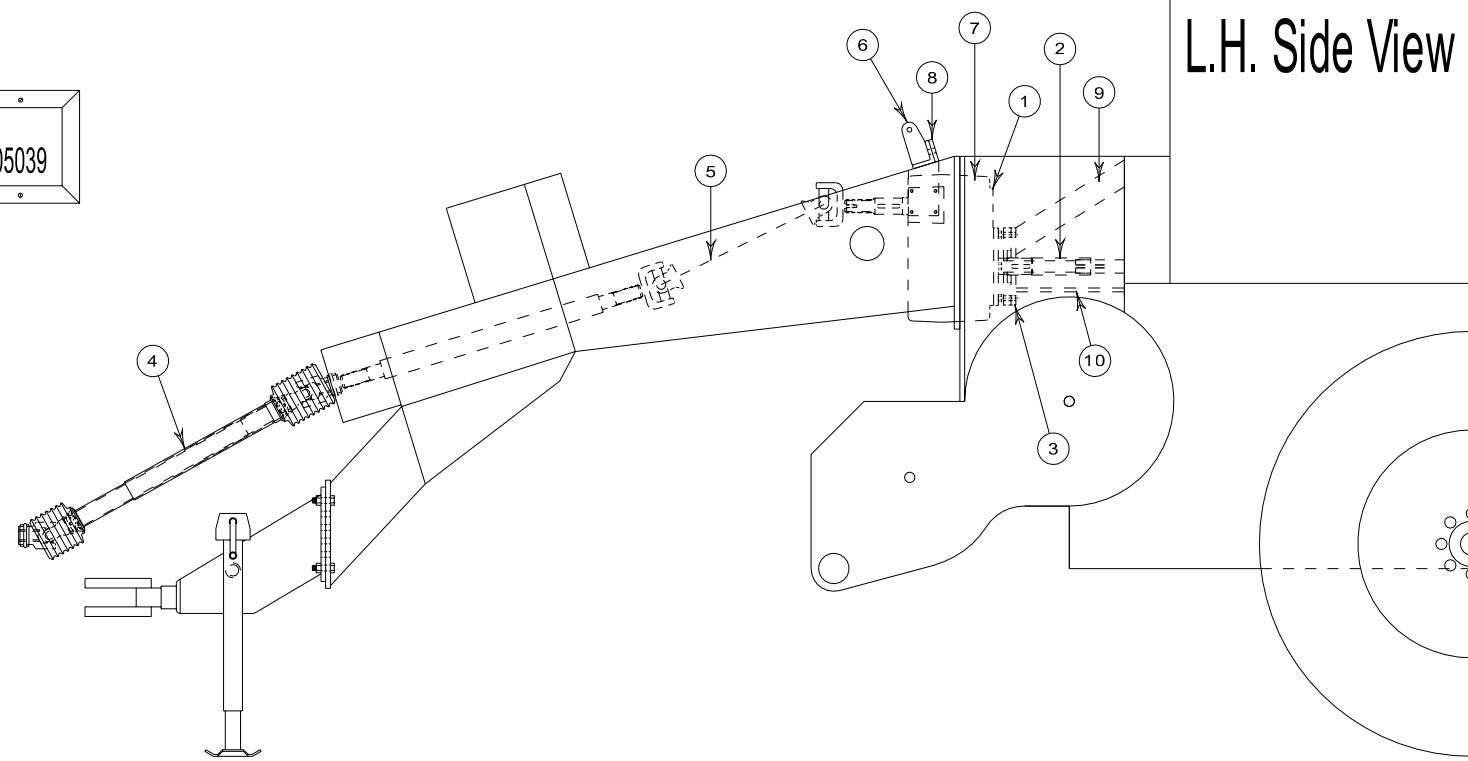
<u>Item No.</u>	<u>Part No.</u>	<u>Qty</u>	<u>Description</u>
1.	510255	1	Pull Tongue Hitch (2000 Model Only)
2.	510200	1	Pull Tongue
3.	510120	1	2 Speed Transmission (complete)
4.	510254	1	Transmission Mounting Jig (40mm female receiver)
5.	510188	1	Transmission Mounting Plate
6.	510201	2	Pull Tongue Swivel Pin
7.	510240	1	Hydraulic Hose Carrier
8.	104038	1	Driveline, Primary (1-3/4" 20 Spline to 1-3/8" 21 Spline)
9.	104039	1	Driveline, Front Secondary (1-3/8" 21 Spline to 1-3/4" Overrunning Clutch)
10.	104040	1	Driveline, Rear Secondary (1-3/4" 20 Spline to 1-3/4" 20 Spline)
11.	510220	1	Splined Shaft Carrier
12.	510186	1	Splined Shaft (1-3/4" 20 Spline to 1-3/4" 20 Spline)
13.	102116	2	Bearing, 45mm Insert
14.	106056	2	Flange, 45mm (4 hole Round)
15.	107021	1	PTO Swivel Gear Box
16.	510217	2	Front Mounting Plate (Swivel Gear Box)
17.	510218	1	Draw Bar Extension (for use with 1-3/4" 1000 PTO Tractors)
18.	510234	1	Draw Bar Extension (for use with 1-3/8" 1000 PTO Tractors)
19.	510225	1	Dura-Ball Hitch
20.	510230	1	Dura-Ball Top Plate
21.	510229	2	Dura-Ball Spacer
22.	510257	1	Pickup Head Ram Mount
23.	110000	1	Jack, Sidewinder
24.	105000	1	Dickey-john Cable Extension (not shown)
25.	101160	2	Quick Couplers (not shown)
26.	101092	2	Adapter, Hydraulic (6901-8-8) (not shown)
27.	108229	7	Hose, Hydraulic (8M2T-10FJ10FJ-16400) (not shown)
28.	108228	2	Hose, Hydraulic (6M2T-8MP8MP-24500) (not shown)
29.	103130	1	Cylinder, Hydraulic 3" x 8" (ASAE)
30.	405040	1	Shift Lever Kit (2 Speed Transmission)
31.	119213	2	Sprocket, 60B20 x 1-3/4" (not shown)
32.	119214	1	Sprocket, 60B20 x 2-1/8" (not shown)
33.	103138	2	Chain, 60B20 Coupler (not shown)
34.	510243	1	Shaft, Coupler (1-3/4" O.D. Shaft 2-3/4" Long) (not shown)
35.	510252	1	Stabilizer Mount (PTO Swivel Gear Box)
36.	119215	1	Sprocket, 60B20 x 40mm (not shown)
37.	510256	2	Ram Mount Plate (use with item # 22)
38.	510258	2	Lift Arm Mount Plate (use with item # 22)
39.	510259	4	Lift Arm Mount Gusset (use with item # 22)
40.	510261	2	Top Support Plate (2 Speed Transmission)
41.	510262	2	Bottom Support Plate (2 Speed Transmission)
42.	510260	1	Mounting Instructions (2 Speed Transmission / Model 2000 only)

#### Hardware List

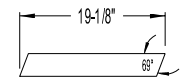
<u>Item No.</u>	<u>Part No.</u>	<u>Qty</u>	<u>Description</u>
A.	106060	1	1-1/2" x 6-1/2" NC Hex Bolt (with Lockwasher & Nut)
B.	106061	1	1" x 9" NC Hex Bolt (with Lockwasher & Nut)
C.	106062	2	3/4" x 9" NC Hex Bolt (with Lockwashers & Nuts)
D.	106063	2	3/4" x 5-1/2" NC Hex Bolt (with Lockwashers & Nuts)
E.	103121	2	Connection Link 60-2
F.		1	3/8" Keystock (2-3/4" Long)
G.		1	5/16" Keystock (3-7/8" Long)
H.		1	1/2" Keystock (2-1/2" Long)

L.H. Side View

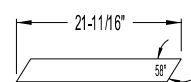
Model 2000 Double Master Plus  
2 Speed Transmission with Mounting Kit # 405039



2 Speed Transmission & Mounting Hardware



Part # 510262



Part # 510261

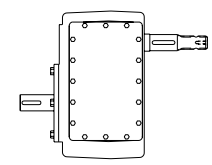


Part # 510254



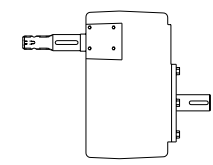
Part # 510188

Part # 510120



R.H. Side View

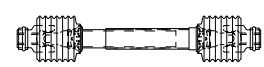
Part # 510120



L.H. Side View

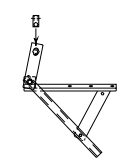


Part # 104034



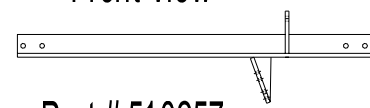
Part # 104042

Top View



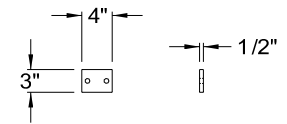
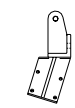
Kit # 405040

Front View



Part # 510257

L.H. Side



Part # 510256

## Model 2000 Double Master Plus

### 2 Speed Transmission with Mounting Kit #405039

#### Parts List

<u>Item No.</u>	<u>Part No.</u>	<u>Qty</u>	<u>Description</u>
1.	510120	1	2 Speed Transmission (complete)
2.	510254	1	Transmission Mounting Jig (40mm female receiver)
3.	510188	1	Transmission Mounting Plate
4.	104034	1	Driveline, Primary
5.	104042	1	Driveline, Secondary
6.	510257	1	Pickup Head Ram Mount
7.	405040	1	Shift Lever Kit (2 Speed Transmission)
8.	510256	2	Pickup Head Ram Mounting Plate
9.	510261	2	Top Support Plate (2 Speed Transmission)
10.	510262	2	Bottom Support Plate (2 Speed Transmission)
11.	119213	2	Sprocket, 60B20 x 1-3/4" (not shown)
12.	119214	1	Sprocket, 60B20 x 2-1/8" (not shown)
13.	103138	2	Chain, 60B20 Coupler (not shown)
14.	510243	1	Shaft, Coupler (1-3/4" O.D. Shaft 2-3/4" Long) (not shown)
15.	119215	1	Sprocket, 60B20 x 40mm (not shown)
16.	510260	1	Mounting Instructions (2 Speed Transmission / Model 2000 only)

#### Hardware List

<u>Item No.</u>	<u>Part No.</u>	<u>Qty</u>	<u>Description</u>
A.		4	5/8" x 2" NC Hex Bolt
B.		4	5/8" Lockwasher
C.	103121	2	Connection Link 60-2
D.		1	3/8" Keystock (2-3/4" Long)
E.		1	5/16" Keystock (3-7/8" Long)
F.		1	1/2" Keystock (2-1/2" Long)

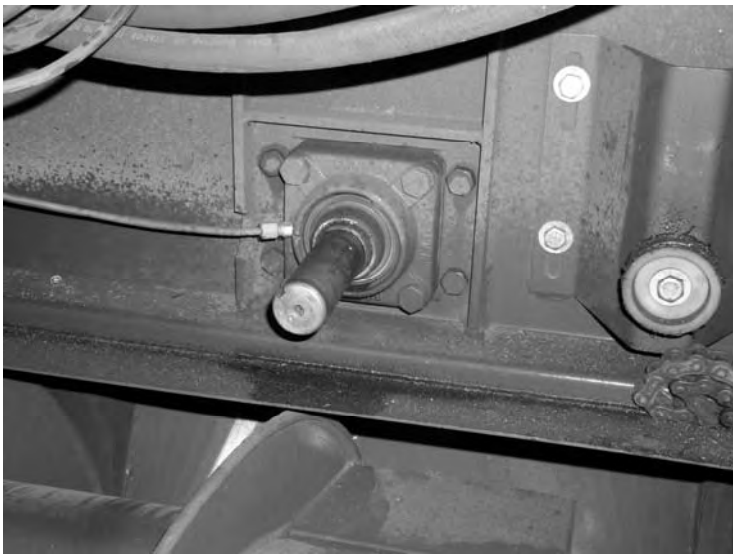
# 510260 Instructions for mounting transmission on a 2000 DMP combine  
(use with Kit #'s 405038 and 405039)

1. Remove driveline from end of threshing cylinder. Alignment jig (Part # 510254) will need to fit on shaft a minimum of 2" in most cases the sprocket will also need to be removed from the cylinder shaft to allow the proper fit of the alignment jig. (Figure 1)
2. Unbolt walkway and set aside remove pickup head lift ram and set aside.
3. The 3-1/8" x 4 3/4" tube with the stationary ram mount for the pickup head can now be removed. (Figure 2) A. \*
4. Bolt transmission mounting plate part # 510188 to transmission mounting jig assembly part #510254. Slide jig and mount assembly onto the end of the threshing cylinder shaft until jig stops at shoulder on the inside of the jig this will make the front of the transmission mounting plate 8-1/2" from the end of the threshing cylinder shaft. Start with the mounting jigs four bolt holes at 12, 3, 6, and 9 o'clock positions. Now rotate the assembly counterclockwise 20°. (As viewed from the front of the combine looking back). (Figure 3)
5. You can now place the flat bar supports in place (Top Support Plates # 510261) (Bottom Support Plates # 510262). Use care to leave room for the drive chain for the feeder auger and the coupling sprockets. (Figures 4 & 5)
6. Weld supports to combine and transmission mount only, jig # 510254 will be removed after all welding is done and cooled. (Figure 6)
7. Drive sprocket and chain for the feeder auger can now be installed and tightened. (Figure 6)
8. Next install the 60B20 x 40 mm sprocket (Part # 119215) flush with the end of the cylinder shaft, but do not tighten at this time. (Do not force sprocket onto the shaft as it may need to be aligned later. (Figure 7)
9. Before installing the transmission (Part # 510120) fit the 60B20 x 2-1/8" sprocket (Part # 119214) and 1/2" keystick to the transmission shaft, and set sprocket aside. Transmission can now be installed on the combine. After transmission is securely mounted sprocket can be placed on transmission shaft but do not tighten. (Figure 7)
10. The two 60B20 x 1-3/4" sprockets (Part # 119213) can now be placed on the 2-3/4" long coupling shaft (Part # 510243), align sprocket faces with the ends of the shaft. Install coupling shaft assembly between the transmission shaft and cylinder shaft using coupling chains (Part # 103138). Align sprockets to remove any side load on the coupling chains. Set screws in the sprockets can now be tightened. (Figure 8) B.\*
11. Combination transmission stabilizer/pickup head ram mount (Part # 510257) can now be installed. Position mount were ram is fully extended when chain hooks are down. (Figure 9) C. \*
12. Install drivelines (Part #'s 104034 & 104042), check oil level in transmission, check for loose or missing bolts and bolt the walkway into place. D. \*
13. You are now ready to hook combine to a tractor and test run.

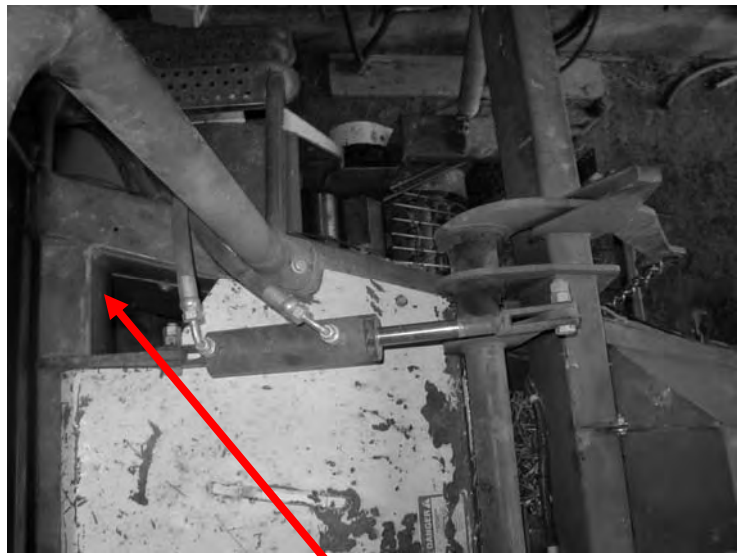
\*If changing tongue to DMP SP read the following special instructions.

Before removing hitch, be sure to securely block all four corners of the combine. It will become extremely back heavy without the tongue. Removing the original tongue before proceeding with transmission installation will allow easier access.

- A. \* The 3-1/8" x 4-3/4" tube will not need to be removed in this application because the entire tongue is removed. Unbolt Pickup head lift assembly and set aside.
- B. \* Pull Tongue Hitch assembly # 510255 and pull tongue # 510200 will need to be installed before proceeding. Pickup head lift assembly can now be bolted into place. (If mounts for lift assembly are not on hitch assembly refer to Diagram A.) Position mount where ram is fully extended when chain hooks are down.
- C. \* Dickey-john monitor cable will need to be lengthened. Remove steel hydraulic lines that were on the pull tongue sides and replace with extended hydraulic hoses.
- D. \* Install drivelines (Part #'s 104038, 104039 & 104040).



**Figure 1**



**Figure2** Remove tubing with ram ear



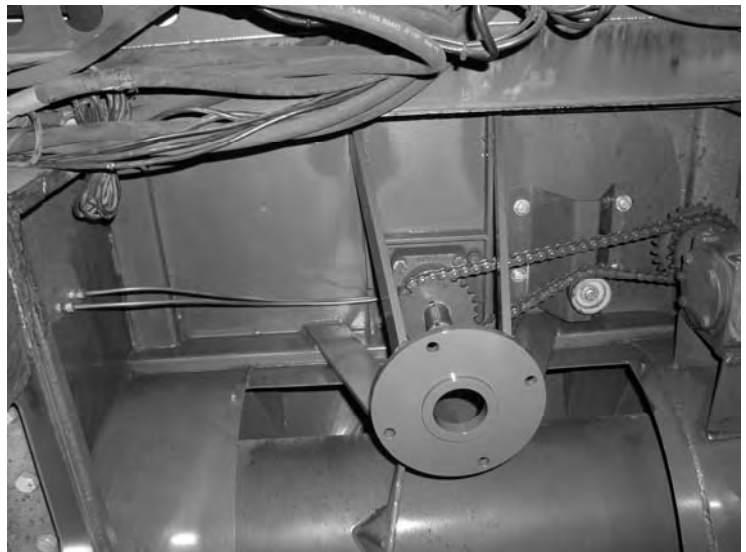
**Figure 3**



**Figure 4**

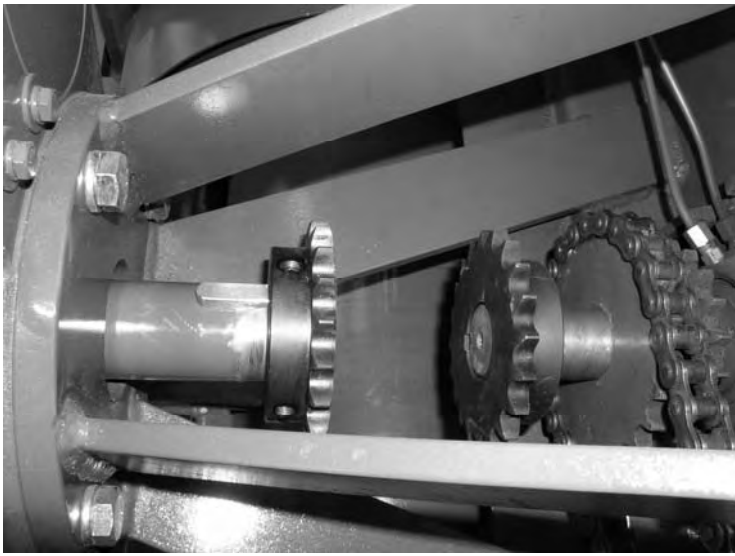


**Figure 5**

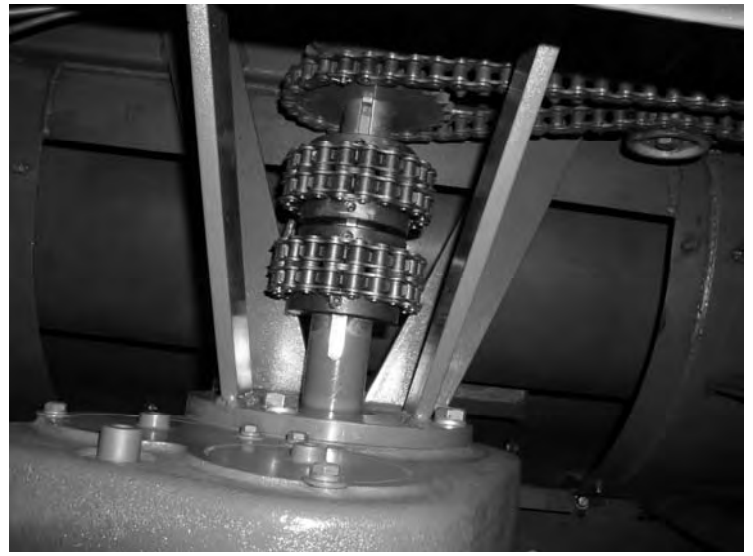


**Figure 6**





**Figure 7**

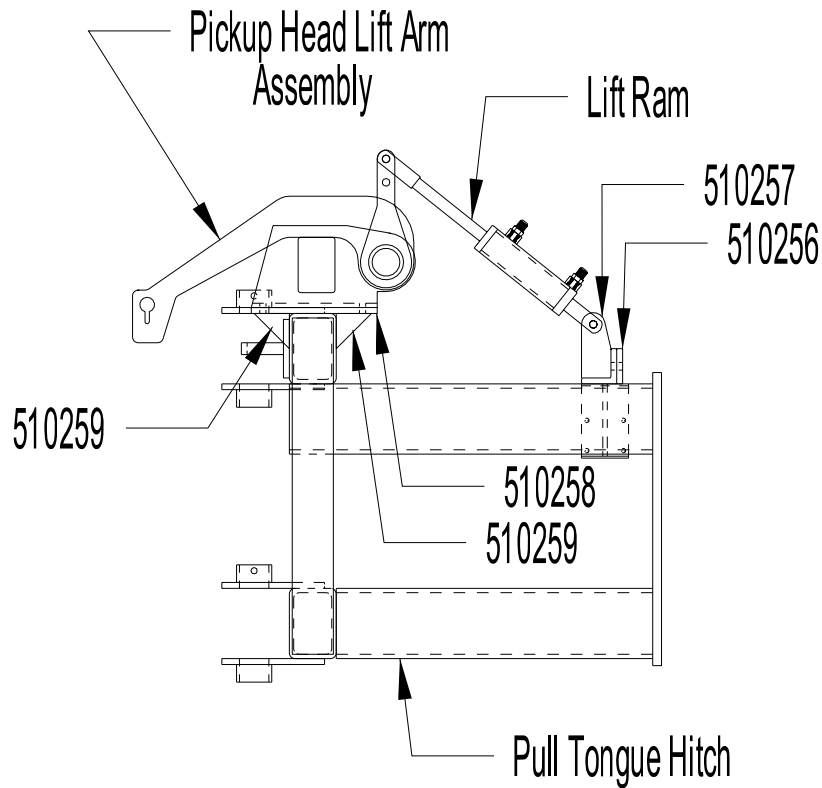
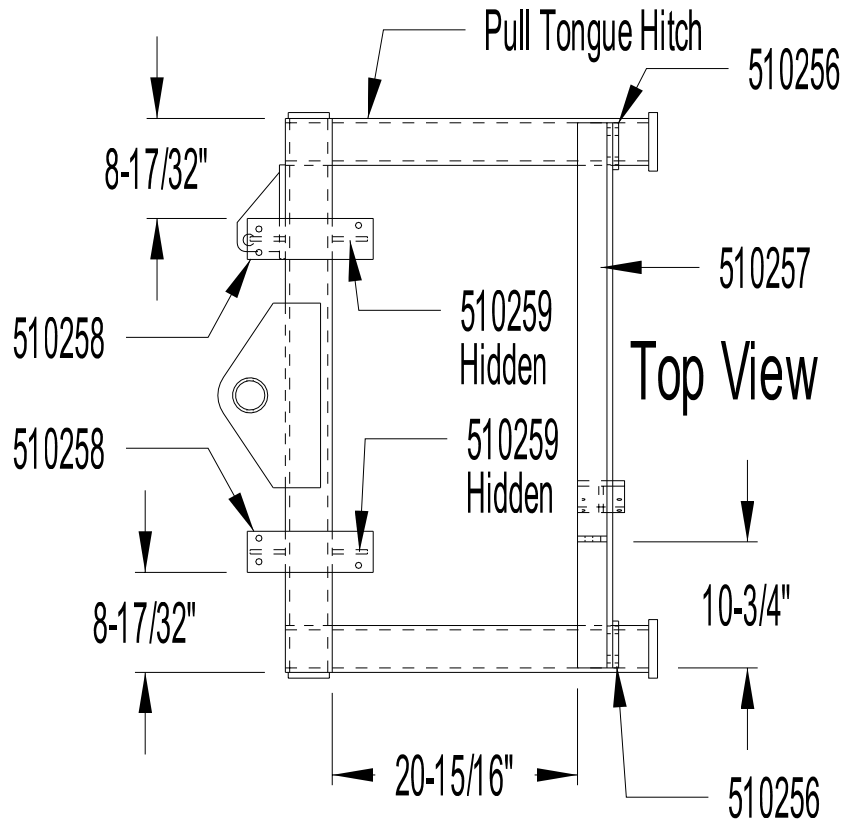


**Figure 8**

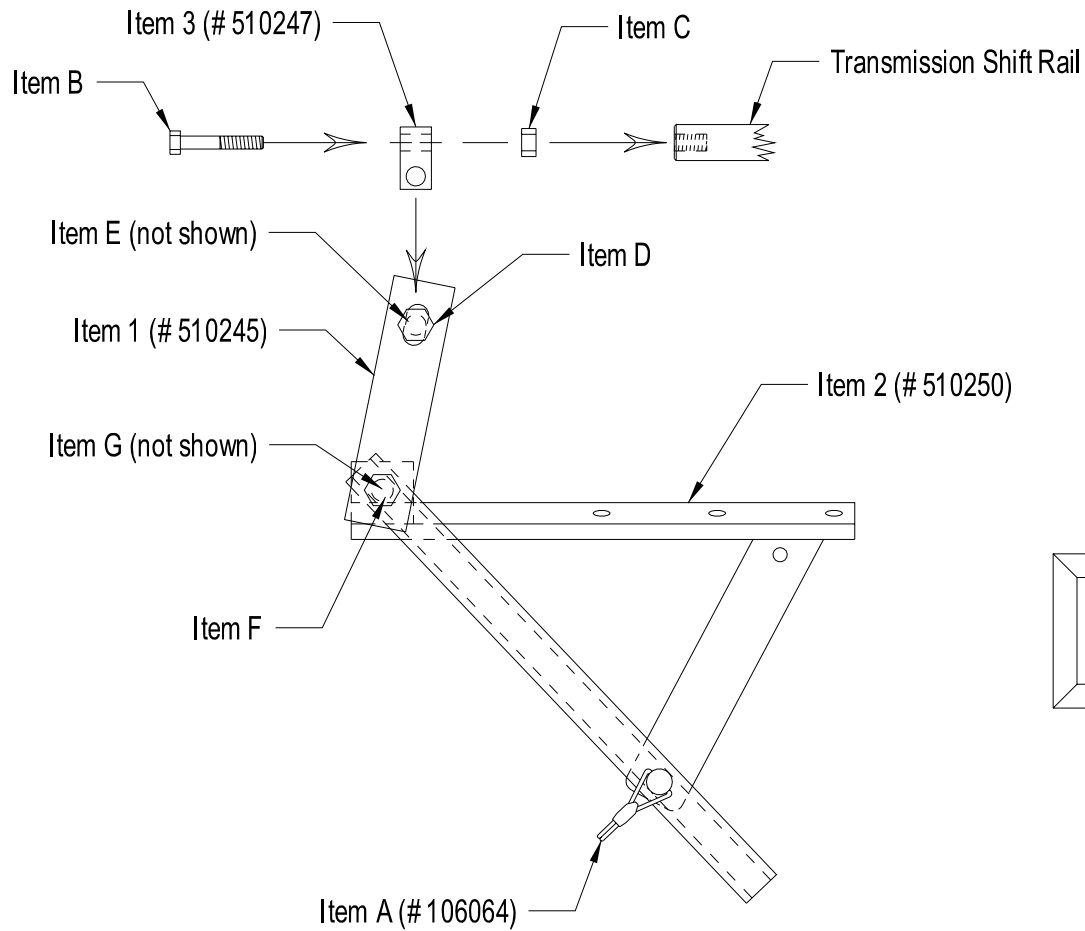


**Figure 9**

# Model 2000 Pickup Head Lift Mounts (Diagram A)

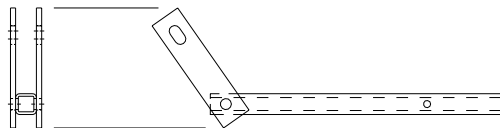


This page was  
left blank  
intentionally

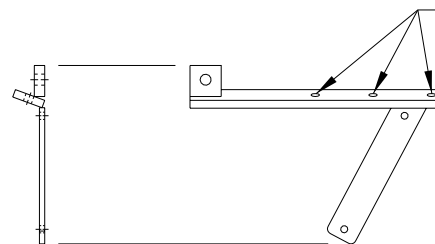


2 Speed Transmission  
Shift Lever Kit # 405040

**THIS KIT CONTAINS:**

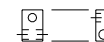


510245 (Item # 1)  
(1 Required)



510250 (Item # 2)  
(1 Required)

Bolt this Shift Lever Mount, to the top 3 holes on the transmission inspection cover, using these 3 holes.



510247 (Item # 3)  
(1 Required)



106064 (Item # A)  
(1 Required)

---

## 2 Speed Transmission Shift Lever Kit #405040

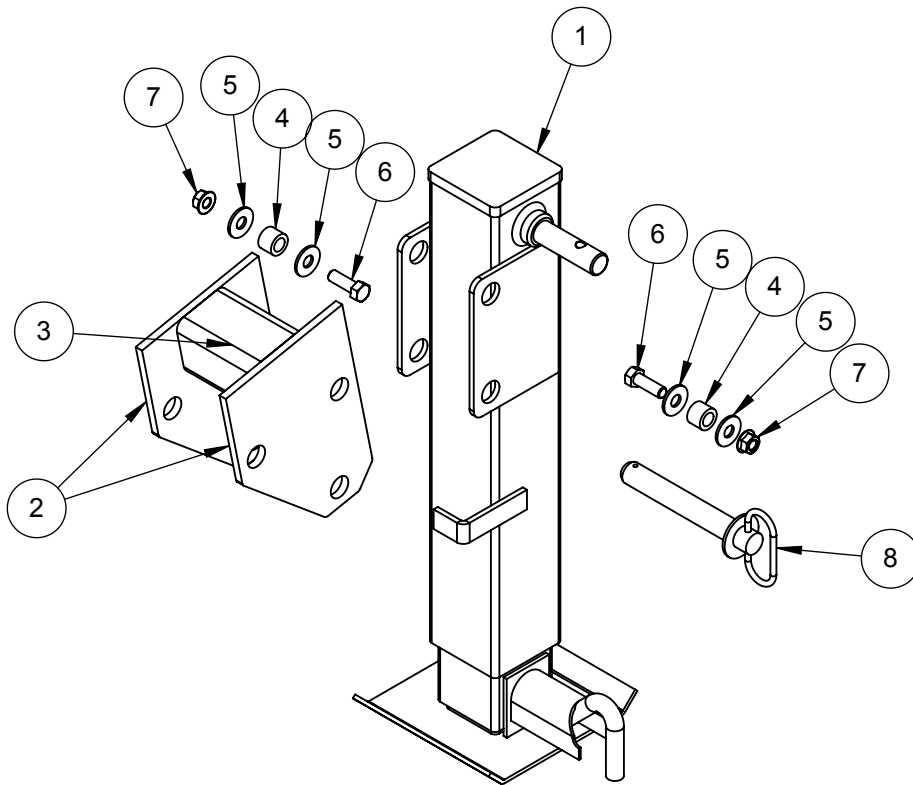
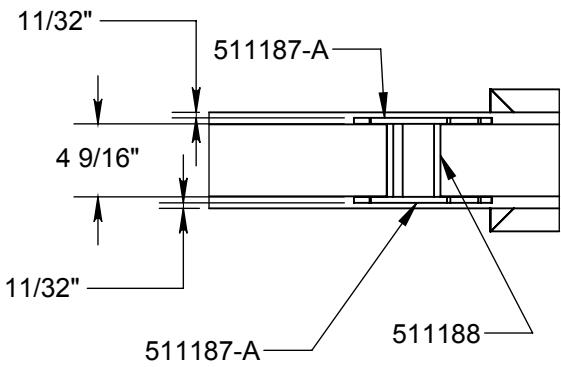
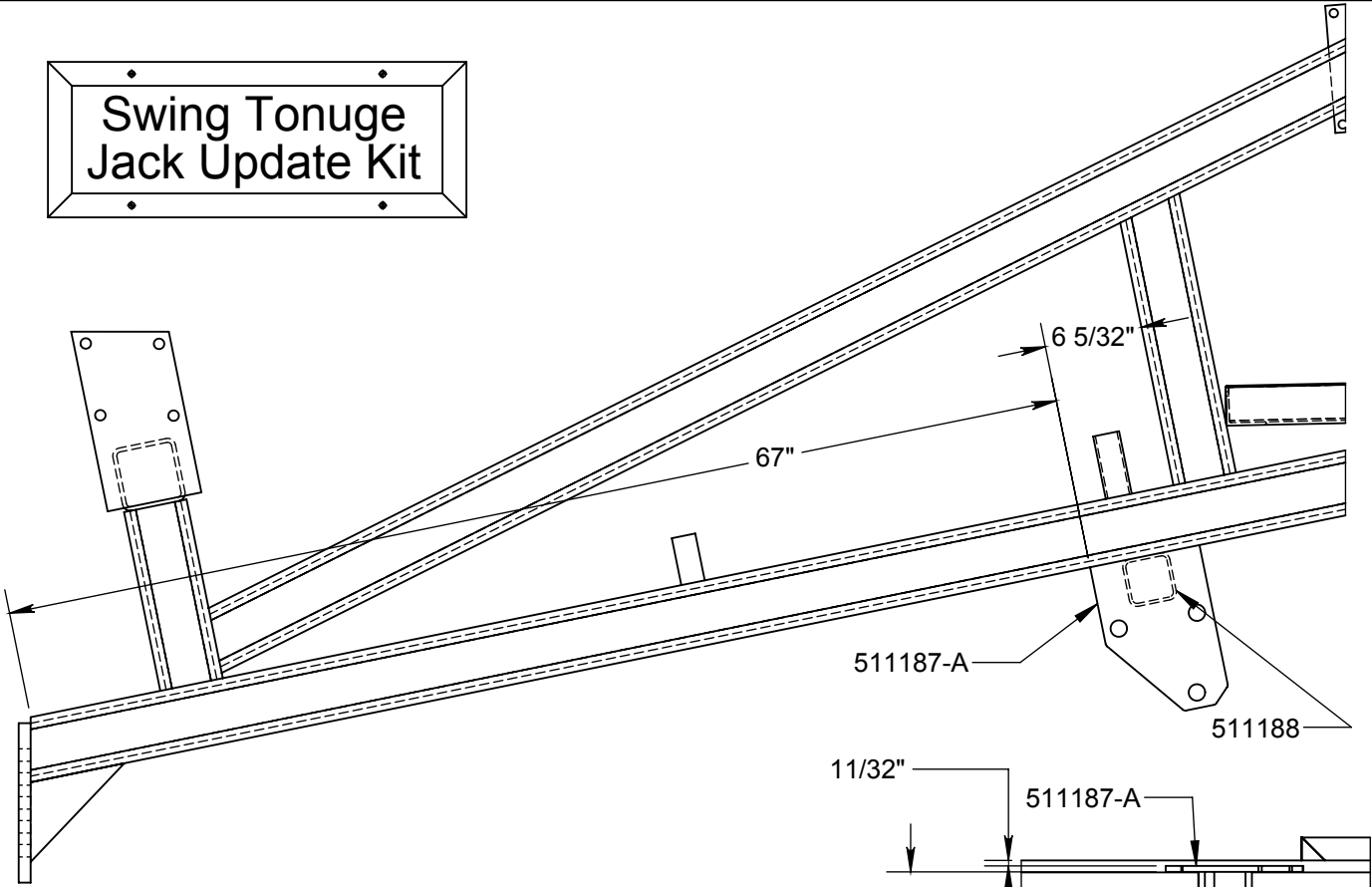
### Parts List

<u>Item No.</u>	<u>Part No.</u>	<u>Qty</u>	<u>Description</u>
1.	510245	1	Shift Lever
2.	510250	1	Shift Lever Mount
3.	510247	1	Shift Lever Swivel Adapter

### Hardware List

<u>Item No.</u>	<u>Part No.</u>	<u>Qty</u>	<u>Description</u>
A.	106064	1	5/16" Bridge Pin
B.		1	3/8" x 2" NC Hex Bolt
C.		1	3/8" NC Hex Nut
D.		1	7/16" x 3" NC Hex Bolt
E.		1	7/16" NC Nyloc Hex Nut (not shown)
F.		1	1/2" x 3" NC Hex Bolt
G.		1	1/2" NC Stover Hex Nut (not shown)

# Swing Tongue Jack Update Kit



---

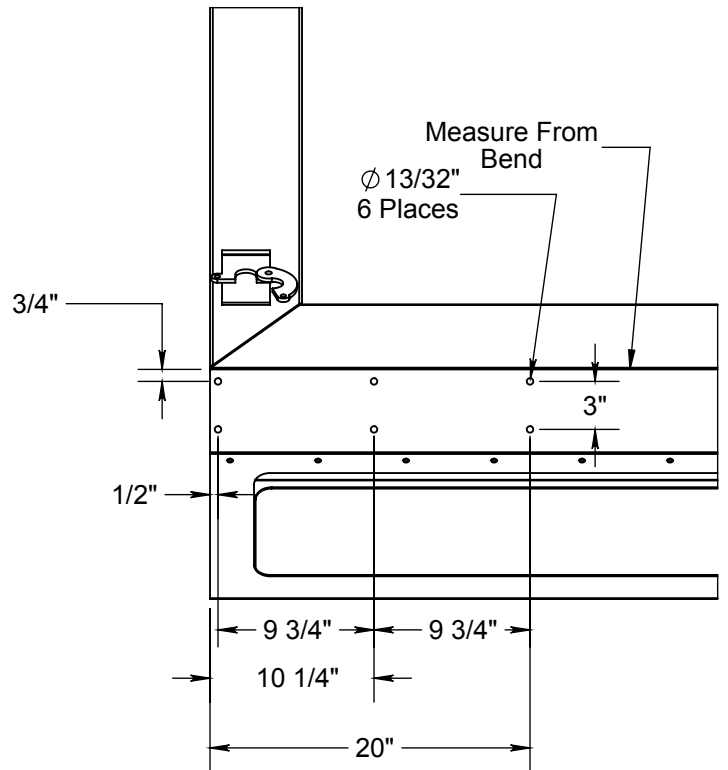
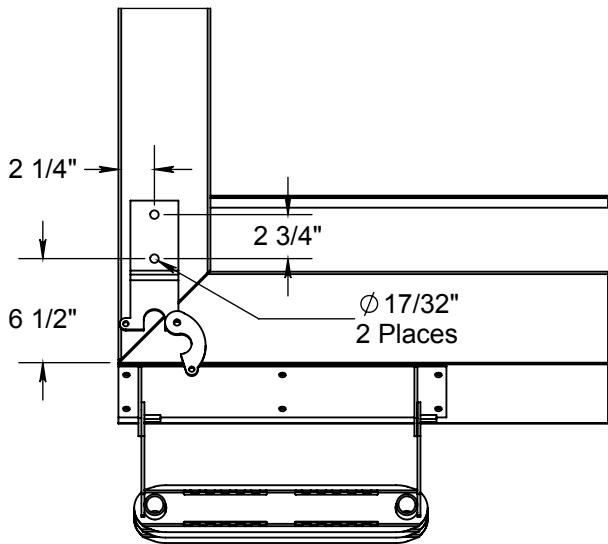
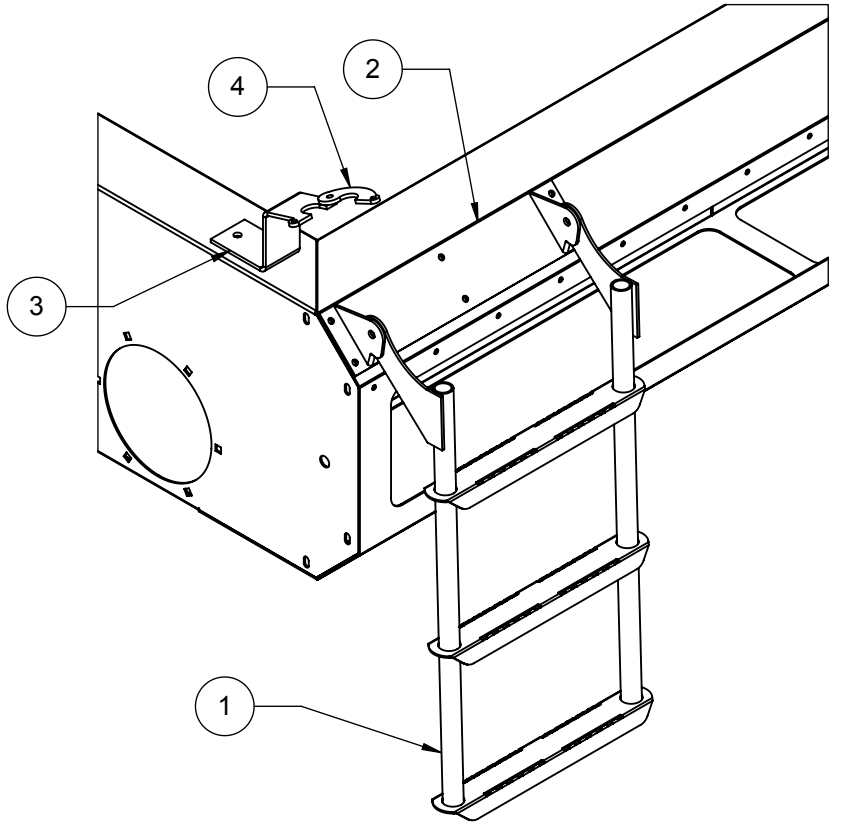
## Jack Update Kit #405062

### 2006 – 2009 DMP- SP2 and Twin Master

#### Parts List

<u>Item No.</u>	<u>Part No.</u>	<u>Qty.</u>	<u>Description</u>
1.	110004	1	2010 Combine Jack
2.	511187-A	2	Jack Mounting Plate
3.	511188	1	Jack Mount Spacer Tube
4.	900181	2	PTO Mount Spacer
5.		4	1/2" Flat Washer
6.		2	1/2" x 1 1/2" Hex Bolt
7.		2	1/2" Whiz Nut
8.	116053	1	1" x 6 1/2" Top Hitch Pin

# Rear Ladder Kit





---

## Rear Ladder Kit #511212

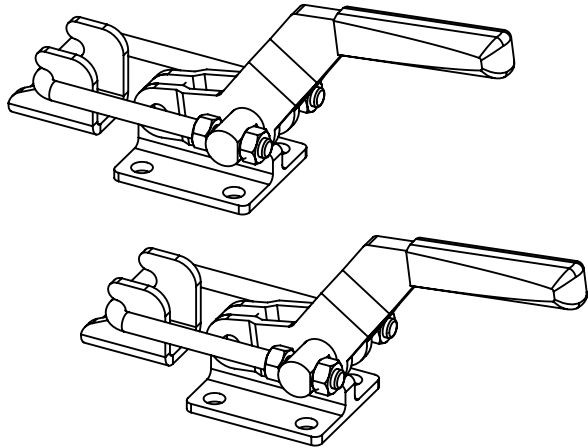
### 2006 – 2009 Twin Master

#### Parts List

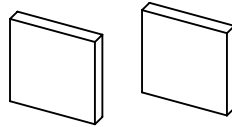
<u>Item No.</u>	<u>Part No.</u>	<u>Qty.</u>	<u>Description</u>
1.	511175-A	1	Rear Ladder Assembly
2.	511214	1	Rear Ladder Mounting Assembly
3.	511173-A	1	Rear Ladder Latch Base
4.	511174-A	1	Rear Ladder Catch

# 511215

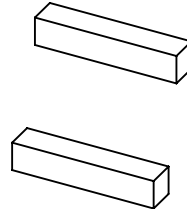
2 - 112041 Clamps



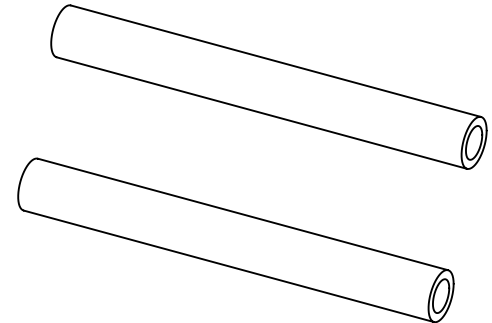
2 - 1/4" x 1 1/2" x 1 1/2"  
Spacer



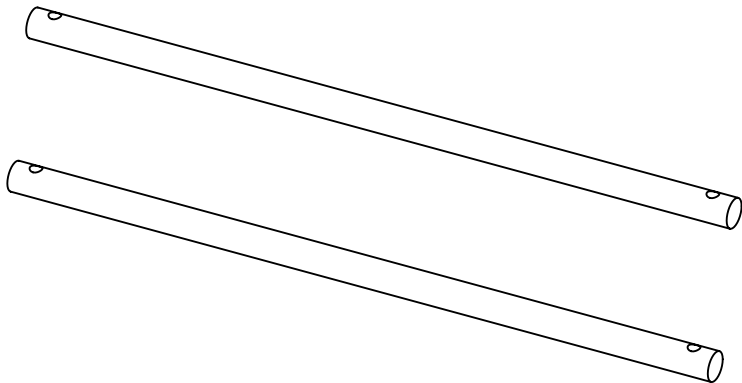
2 - 1/2" x 2 1/2" Keystock



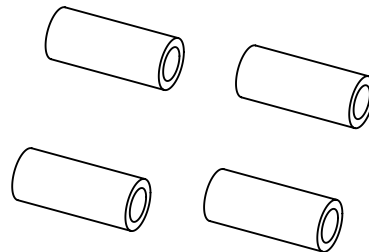
2 - 511217 Elevator Door  
Hinge Pipe



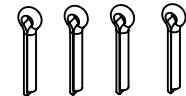
2 - 511216 Elevator Door  
Hinge Pin



4 - 511218 Elevator Leg  
Hinge Pipe



4 - 3/16" x 1" Cotter Key

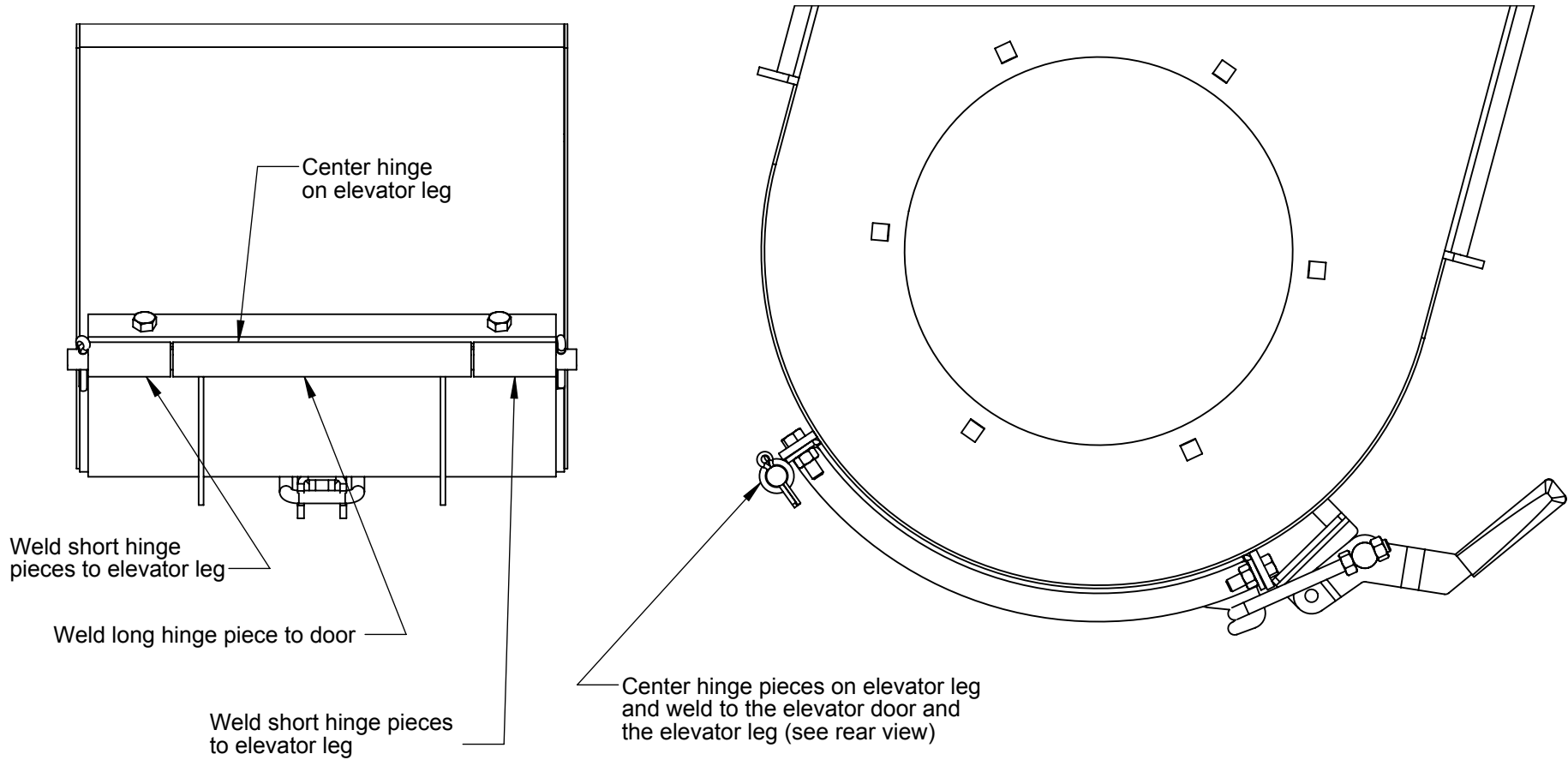


**511215**  
Elevator Hinged Door  
Kit 2007 - 2009

# 511215

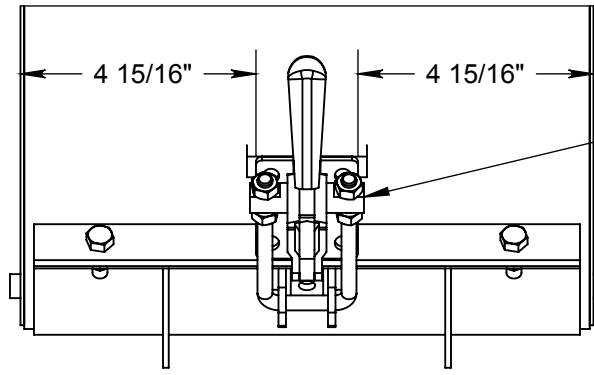
Tack weld hinge and latch into place before removing the bolts holding the door closed

Front of Combine -->  
right elevator leg shown



# 511215

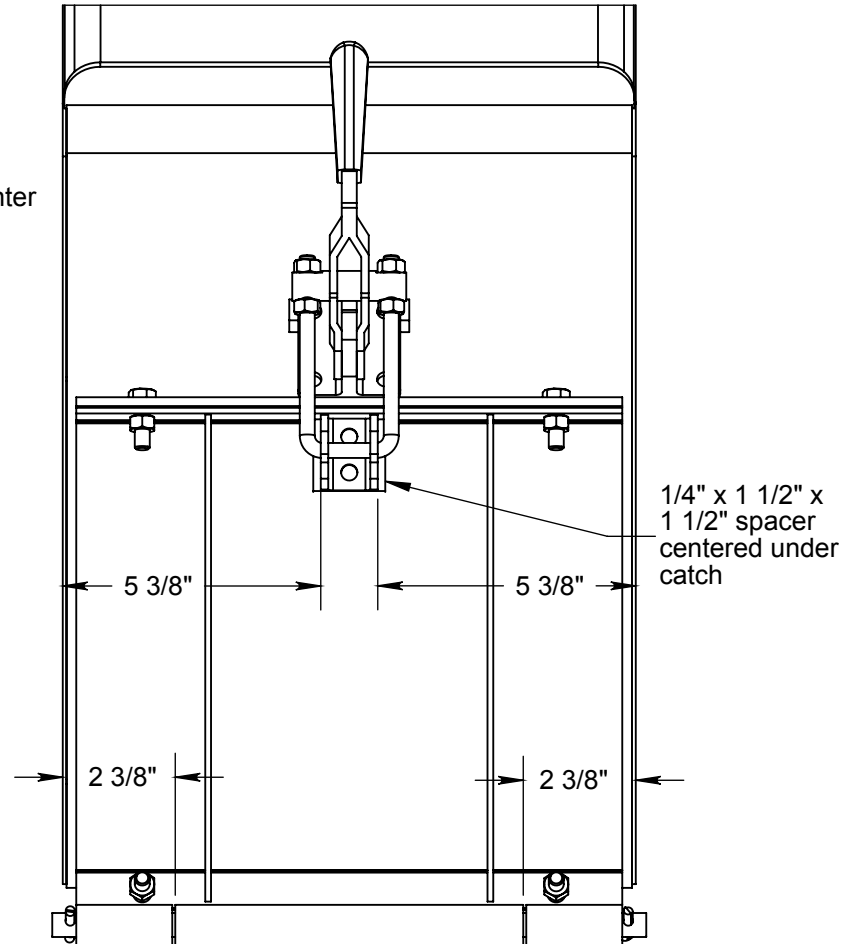
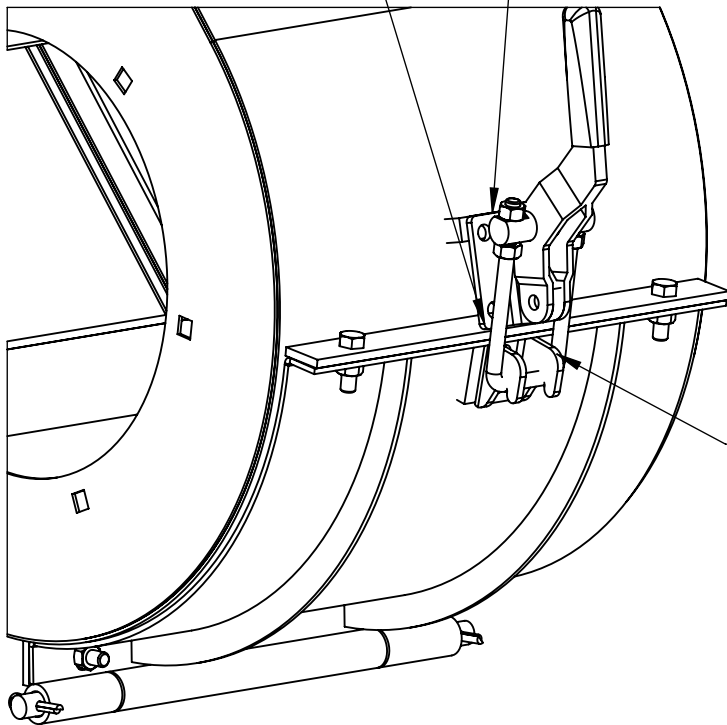
# 511215



Center latch in the center of the elevator leg

This end of the latch should be even with top of the flat bar

Place 1/2" keystone under this end of the latch

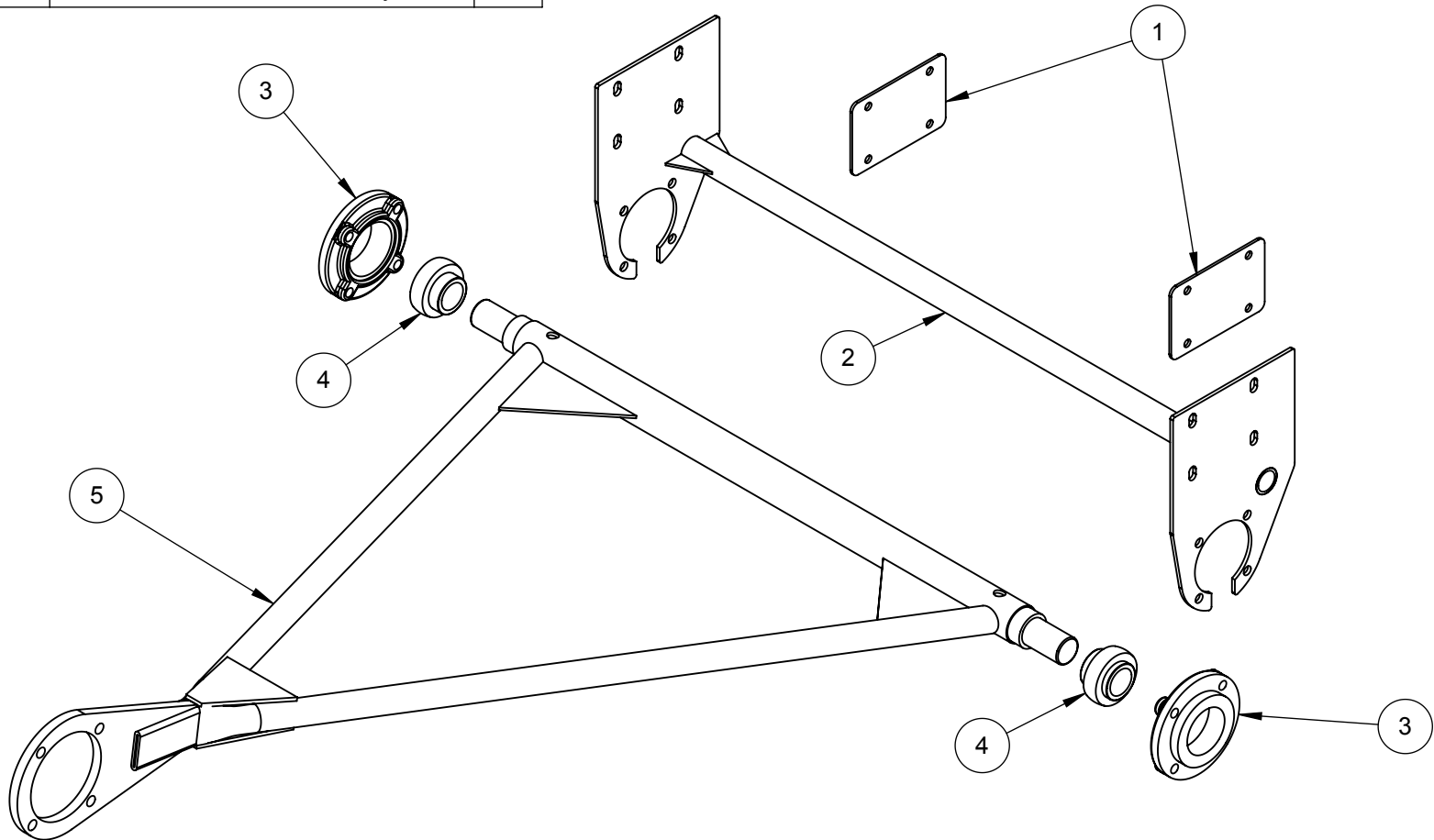


After all pieces are tacked into place remove the original bolts and finish welding all parts

# 511215

ITEM NO.	PART NUMBER	DESCRIPTION	QTY.
1	511145	Shaker Mount Support Plate	2
2	511146	Shaker Mount Assembly	1
3	106071	RFC 35mm Flange	2
4	102100	UC 207 35mm Bearing	2
5	511138	Shaker A Arm Assembly	1

## Kit to Update 2000 - 2008 DMP Shaker Tables to 2009 Bearing Style



Hardware Required:  
 8 - 1/2" x 1-1/2" Hex Bolts  
 8 - 1/2" Wiz Nuts  
 8 - 3/8" x 1" Hex Bolts  
 8 - 3/8" Wiz Nuts  
 8 - 3/8" Flat Washers

**Kit # 405059**