

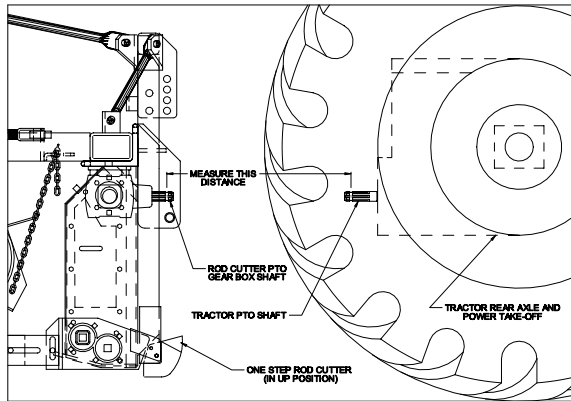
Service Updates

Miscellaneous

Section 9

Primary Driveline Cut Down Instructions.....	2
Quick Hitch Slide Link	3
Lockwood Kit Mounting Brackets.....	4

Return to this page by clicking the upper right corner of any page in this section.



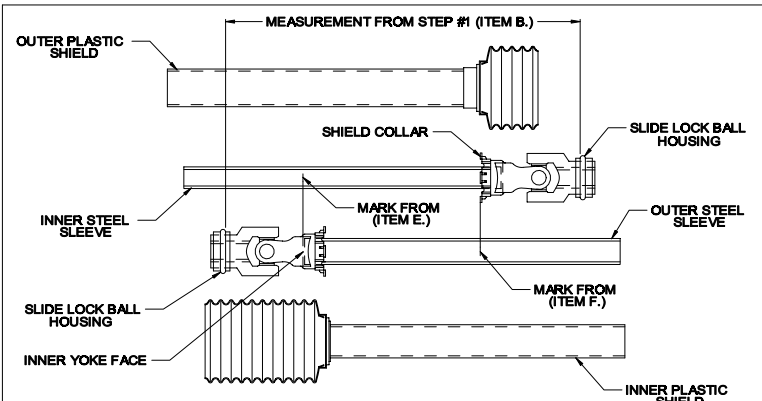
PRIMARY DRIVELINE CUT DOWN INSTRUCTIONS (STEP #1)

IMPORTANT: PLEASE READ THROUGH ALL STEPS, 1 THROUGH 5, PRIOR TO CUTTING DOWN YOUR PRIMARY DRIVELINE.

AFTER THE ONE STEP ROD CUTTER HAS BEEN PROPERLY HOOKED TO THE TRACTOR, FOLLOW ITEMS A THRU N TO CUSTOM FIT YOUR PRIMARY DRIVELINE.

(ITEM A.) RAISE THE ROD CUTTER UP SO THAT THE ROD CUTTER PTO GEAR BOX SHAFT IS APPROXIMATELY THE SAME HEIGHT AS THE TRACTOR PTO SHAFT.

(ITEM B.) MEASURE FROM THE CENTER OF THE LOCK RING ON THE TRACTOR PTO SHAFT, TO THE CENTER OF THE LOCK RING ON THE ONE STEP ROD CUTTER PTO GEAR BOX SHAFT. USE THIS MEASUREMENT IN STEP #2.



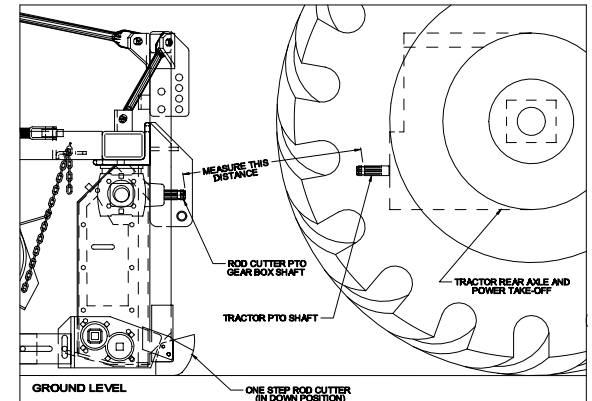
PRIMARY DRIVELINE CUT DOWN INSTRUCTIONS (STEP #2)

(ITEM C.) DISASSEMBLE THE PRIMARY DRIVELINE TO BE CUT DOWN, LAYOUT THE PARTS AS SHOWN.

(ITEM D.) ALIGN THE FACE OF THE SLIDE LOCK BALL HOUSINGS, ON THE TWO PRIMARY DRIVELINE HALVES, TO MATCH THE DIMENSION THAT WAS MEASURED IN STEP #1 (ITEM B.).

(ITEM E.) MARK THE INNER STEEL SLEEVE, USING THE OPPOSING OUTER STEEL SLEEVE'S INNER YOKE FACE AS A REFERENCE MARK.

(ITEM F.) MARK THE OUTER STEEL SLEEVE, USING THE OPPOSING INNER STEEL SLEEVE'S SHIELD COLLAR AS A REFERENCE MARK.

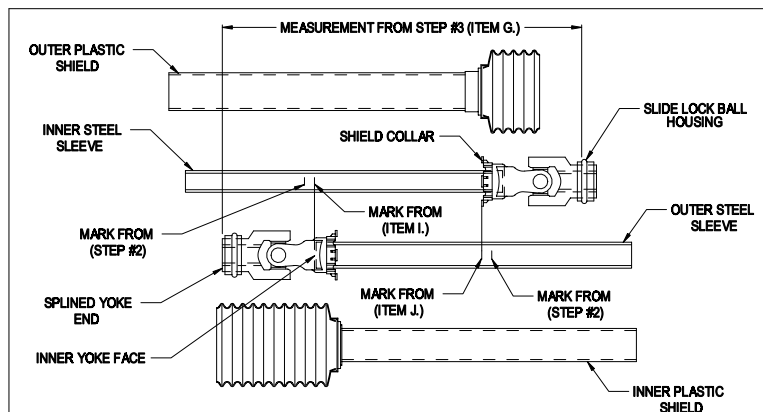


PRIMARY DRIVELINE CUT DOWN INSTRUCTIONS (STEP #3)

(ITEM G.) LET THE ONE STEP ROD CUTTER ALL THE WAY DOWN. MEASURE THE DISTANCE FROM THE CENTER OF THE LOCK RING, ON THE TRACTOR PTO SHAFT, TO THE END OF THE PTO SHAFT ON THE ONE STEP ROD CUTTER. USE THIS MEASUREMENT IN STEP #4.

(* NOTE:) SOME TRACTORS (I.E., INTERNATIONAL HARVESTER & CASE MAGNUMS) THE SHORTEST DISTANCE TO BE MEASURED IS WITH THE ONE STEP ROD CUTTER FULLY RAISED. CHECK THIS MEASUREMENT TO OBTAIN THE SHORTEST DISTANCE.

PRIMARY DRIVELINE CUT-DOWN INSTRUCTIONS

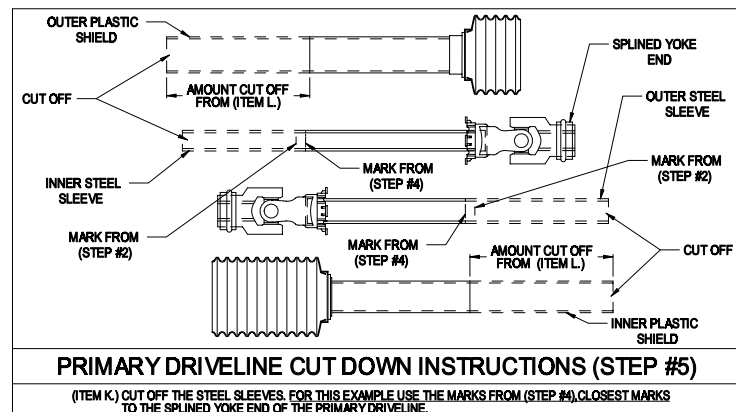


PRIMARY DRIVELINE CUT DOWN INSTRUCTIONS (STEP #4)

(ITEM H.) ALIGN THE FACE OF THE SLIDE LOCK BALL HOUSING, ON ONE OF THE PRIMARY DRIVELINE HALVES, TO THE END OF THE SPLINED YOKE ON THE OTHER PRIMARY DRIVELINE HALF, TO MATCH THE DIMENSION MEASURED IN STEP #3.

(ITEM I.) MARK THE INNER STEEL SLEEVE USING THE OPPOSING OUTER STEEL SLEEVE'S INNER YOKE FACE AS A REFERENCE MARK.

(ITEM J.) MARK THE OUTER STEEL SLEEVE USING THE OPPOSING INNER STEEL SLEEVE'S SHIELD COLLAR AS A REFERENCE MARK.



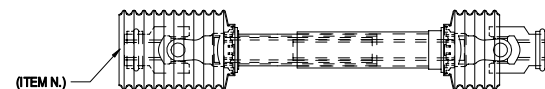
PRIMARY DRIVELINE CUT DOWN INSTRUCTIONS (STEP #5)

(ITEM K.) CUT OFF THE STEEL SLEEVES. FOR THIS EXAMPLE USE THE MARKS FROM (STEP #4), CLOSEST MARKS TO THE SPLINED YOKE END OF THE PRIMARY DRIVELINE.

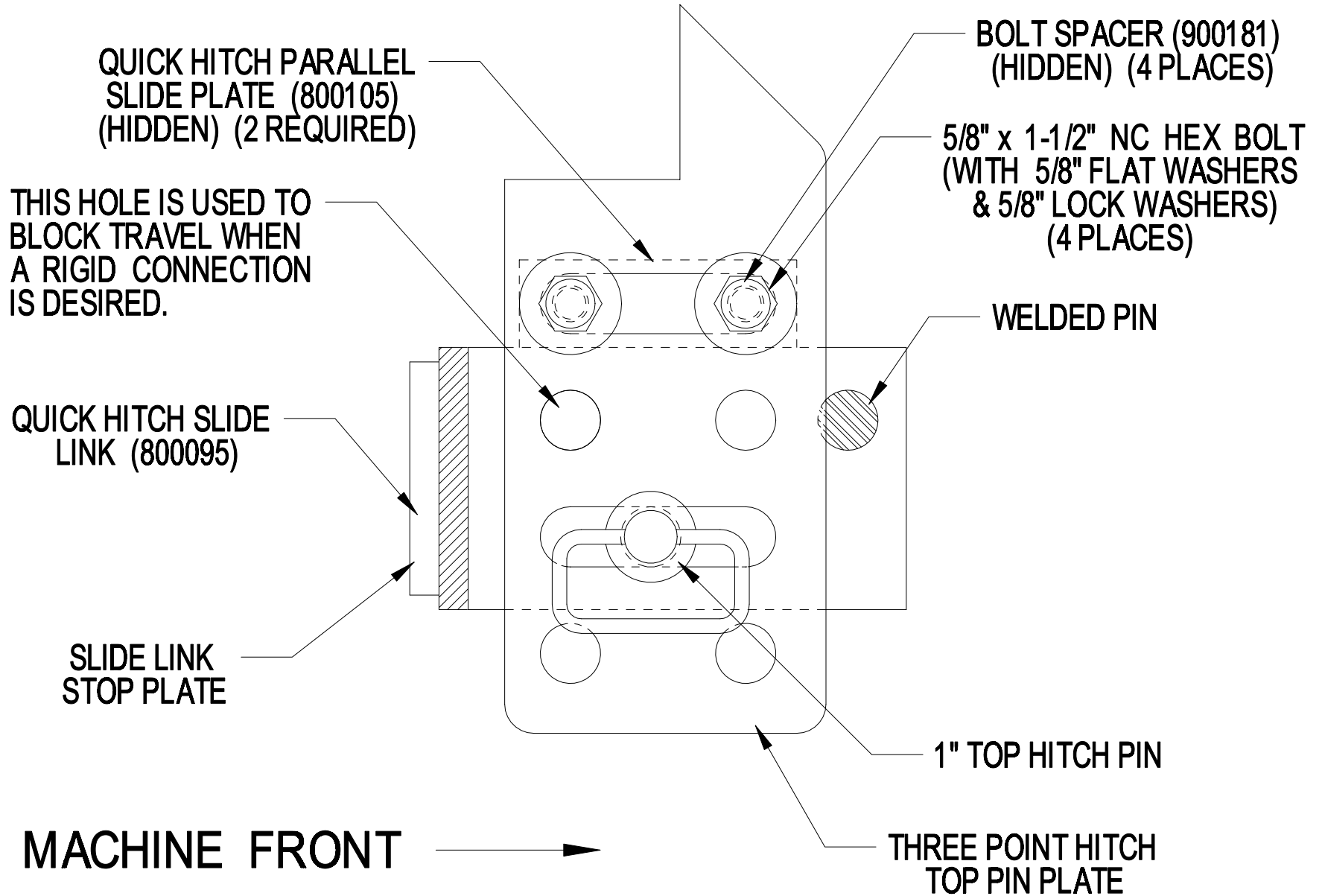
(ITEM L.) MEASURE THE AMOUNT CUT OFF THE OUTER STEEL SLEEVE AND CUT THE SAME AMOUNT OFF OF BOTH OF THE PLASTIC SHIELD ENDS.

(ITEM M.) CLEAN PARTS OF DUST AND METAL FILLINGS. REGREASE THE STEEL SLEEVES.

(ITEM N.) REASSEMBLE THE PRIMARY DRIVELINE & INSTALL BETWEEN THE TRACTOR AND THE ROD CUTTER.

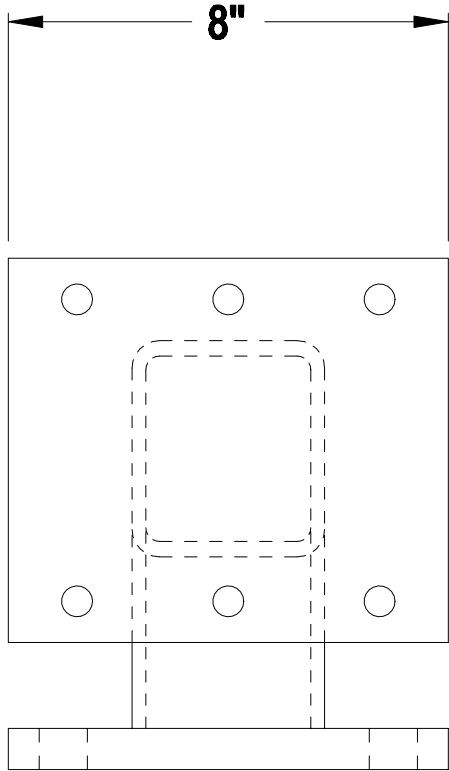


QUICK HITCH SLIDE LINK R.H. SIDE VIEW



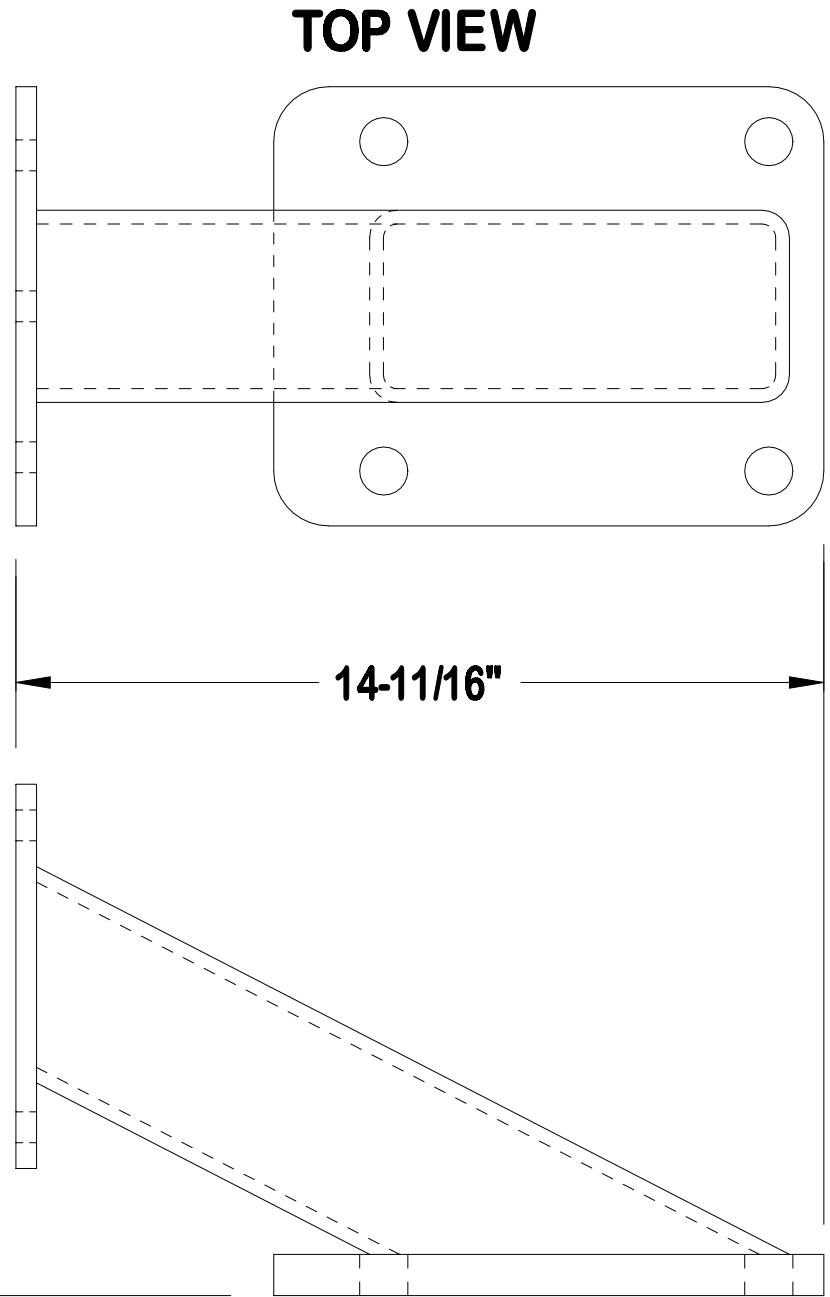
**LOCKWOOD KIT MOUNTING
BRACKETS (#800115)**

4 REQUIRED PER MACHINE



REAR VIEW

9-5/16"



TOP VIEW

14-11/16"

R.H. SIDE VIEW