

One Step Ahead Rod Cutter (*Front Mount Unit*)

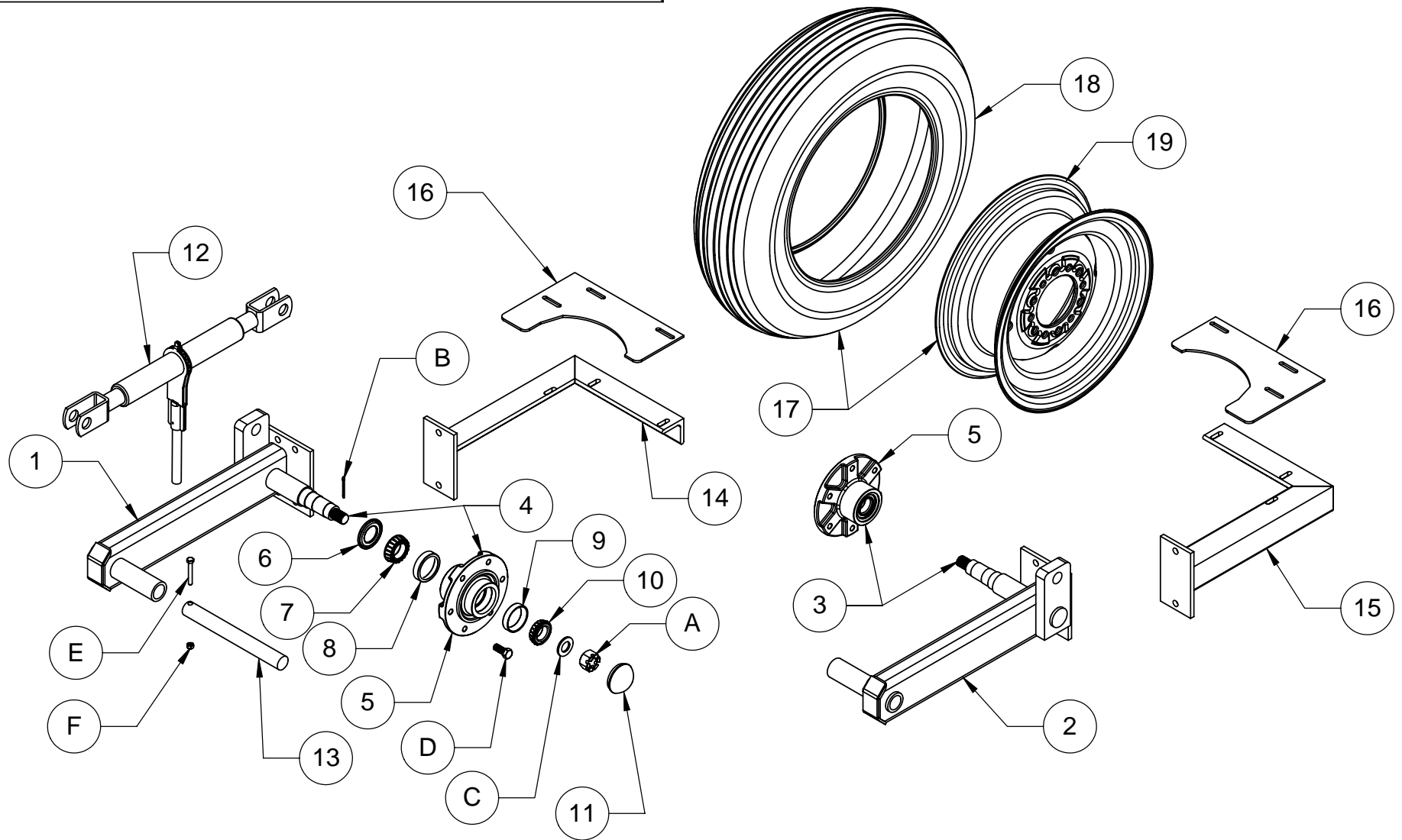
Rear Gauge Wheels

Section 12

Rear Gauge Wheels.....	2-3
------------------------	-----

Return to this page by clicking the upper right corner of any page in this section.

One Step Ahead Adjustable Rear Gauge Wheel



ADJUSTABLE REAR GAUGE WHEEL

Parts List

<u>Item No.</u>	<u>Part No.</u>	<u>Qty</u>	<u>Description</u>
1.	900743	1	R.H. Pivot Arm
2.	900744	1	L.H. Pivot Arm
3.	900055	1	L.H. Pivot Arm Assembly—Includes Items 2 & 5
4.	900056	1	R.H. Pivot Arm Assembly—Includes Items 1 & 5
5.	108057	2	Hub, Gauge Wheel—Includes Items 6, 7, 8, 9, 10 & 11
6.	119066	2	Seal, Gauge Wheel Hub Grease
7.	102037	2	Bearing Cone, Gauge Wheel Hub 1 3/8"
8.	102136	2	Bearing Cup, Gauge Wheel Hub Inner
9.	102135	2	Bearing Cup, Gauge Wheel Hub Outer
10.	102036	2	Bearing Cone, Gauge Wheel Hub 1 1/4"
11.	103047	2	Cover, Gauge Wheel Hub Dust
12.	120003	2	Turnbuckle, Gauge Wheel Ratchet Jack
13.	900742	2	Pivot Shaft
14.	901171	1	Mud Scraper R.H. Mounting Arm
15.	901170	1	Mud Scraper L.H. Mounting Arm
16.	901165	2	Mud Scraper Plate
17.	123014	2	Tire Assembly—Includes Items 18 & 19
18.	120008	2	Tire, Gauge Wheel
19.	123003	2	Wheel, Gauge

Hardware List

<u>Item No.</u>	<u>Part No.</u>	<u>Qty</u>	<u>Description</u>
A.		2	7/8" N.F. Castellated Hex Nut
B.		2	3/16" Cotter Pin
C.		2	7/8" Flat Washer
D.		12	1/2" x 1" N.F. Acorn-type Wheel Stud
E.		2	5/16" x 2 1/4" NC Hex Bolt
F.		2	5/16" NC Center Lock Nut