

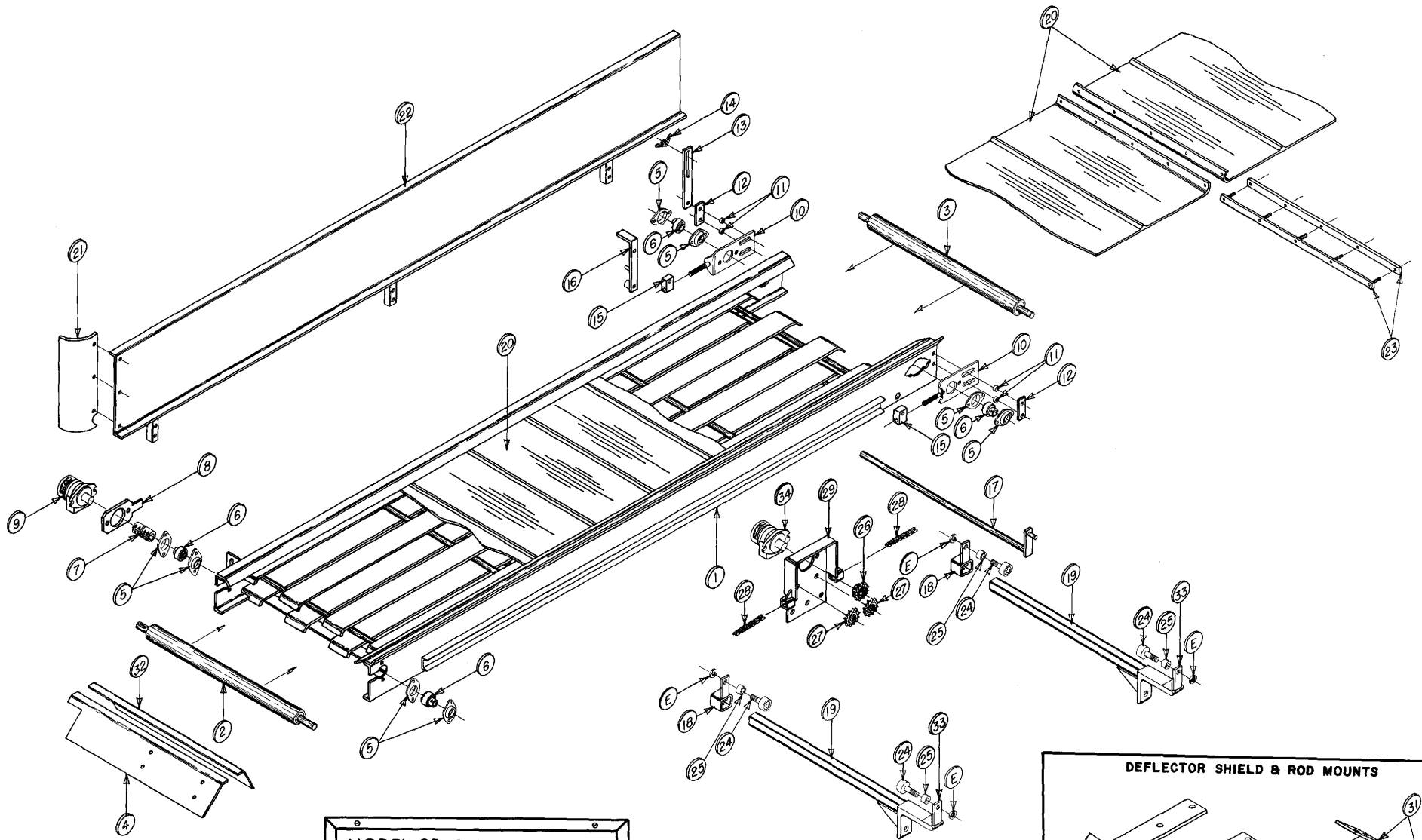
One Step Ahead Rod Cutter (*Front Mount Unit*)

Optional Trays

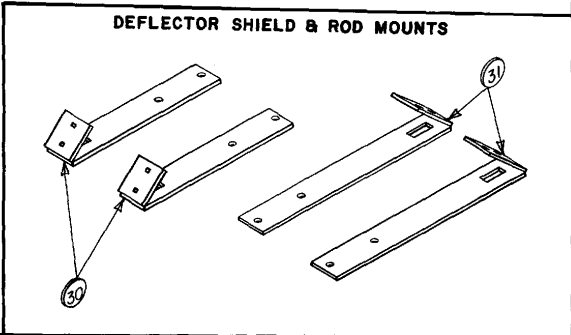
Section 9

Model Years 1995 – 2002 (118" Tray)	2-4
Model Years 2003 – Present (124" Tray).....	5-6
Windrowing Rods	7-8

Return to this page by clicking the upper right corner of any page in this section.



**MODEL 95 ONE-STEP AHEAD
SEMI-END REVERSIBLE/TRANSVERSING**



SEMI END REVERSIBLE / TRANSVERSING DUMP 118" Tray**(1995–2002)****Parts List**

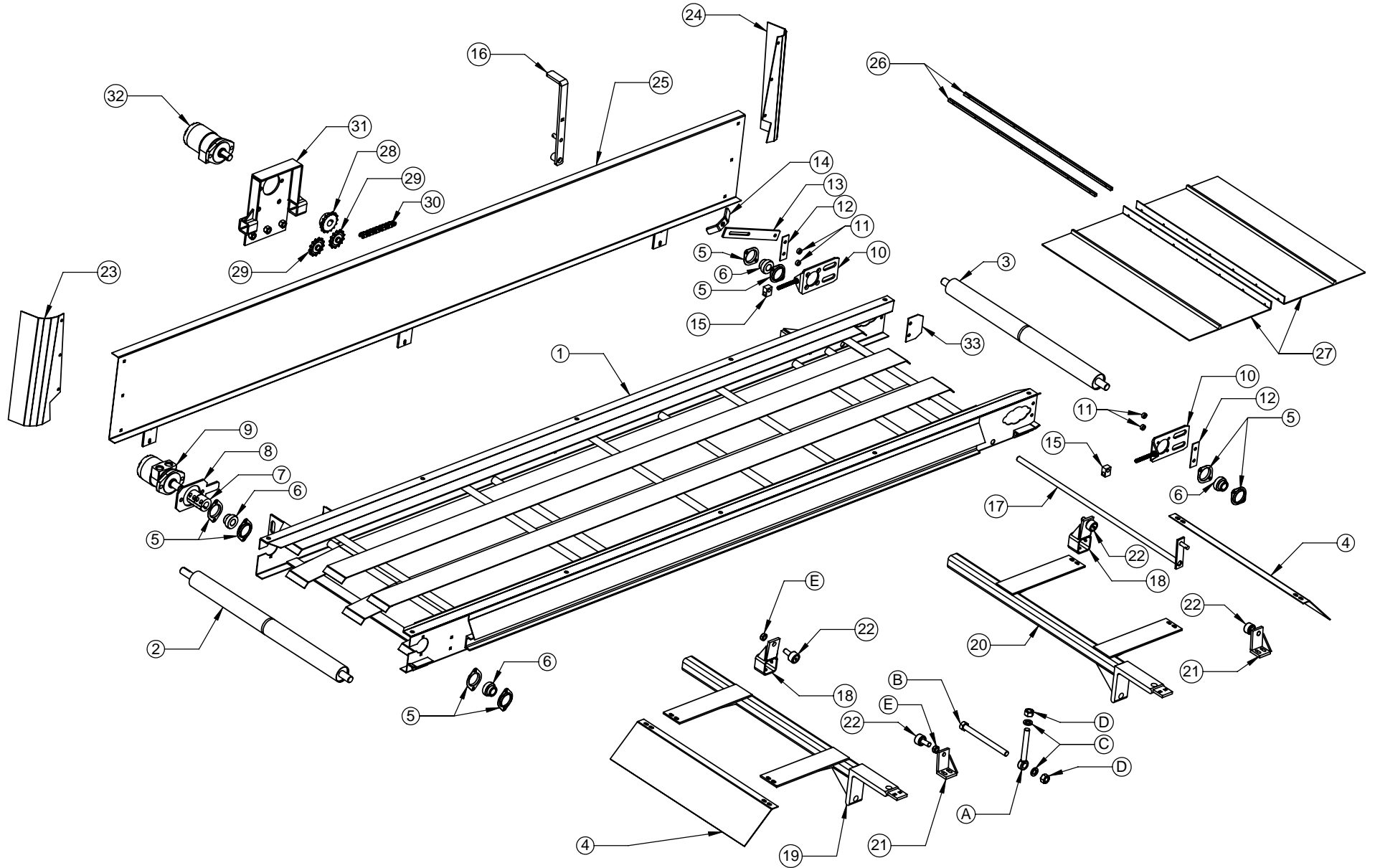
<u>Item No.</u>	<u>Part No.</u>	<u>Description</u>
1.	905112	Transversing Dump Tray, Weld Assembly
2.	901175	Crowned Belt Drive Roller, 1" keyed Shaft
3.	901176	Belt Idler Roller, 1" Shaft–No key
4.	905097	R.H. Deflector Shield, Tray End
5.	106013	Flangette, 1" Bearing 2-Hole
6.	102005	Bearing, 1" Insert with Lock Collar
7.	103017	Coupler, 1" × 3" Split
8.	900225	Hydraulic Motor Mount
9.	113022	Motor, Canvas–MG Series
10.	901150	Bracket, 1" Bearing Belt Tightener
11.	900498	Bracket Spacer
12.	900277	Bearing Bracket Clamp
13.	900199	Belt Tightener
14.	106016	Fastener, Wing
15.	900313	Swivel Adapter
16.	900575	Belt Tightener Lever
17.	900386	Crank Tightener
18.	905115	Roller Slide Lock
19.	905105	Transversing Tray Arm–See Hardware Items: A,B,C,D
20.	102023	Belt, SE Draper with bar (234")
21.	900016	Tray Back Deflector - R.H.
Not Shown	900015	Tray Back Deflector - L.H.
22.	905110	Transversing Tray Back
23.	102020	Belt Connector Bar with bolts
24.	102080	Tray Roller Bearing–See Hardware Item E
25.		Roller Bearing Spacer (spacer thickness may vary)
26.	119006	Sprocket, 50BS 15 × 1"
27.	119010	Sprocket, Idler 05013E10
28.	103085	Chain, 50 Roller–144 Pins
29.	990100	Hydraulic Motor Mount
30.	905095	R.H. Deflector Shield & Rod Mount–See Hardware Items: C,D,F
31.	905100	L.H. Deflector Shield & Rod Mount–See Hardware Items: C,D,F
32.	905096	L.H. Deflector Shield–Tray End
33.	905283	Front Tray Roller Mount–Adjustable
34.	113023	Motor, Transversing Tray–MF Series

SEMI END REVERSIBLE / TRANSVERSING DUMP 118" Tray
(1995–2002)
Parts List

<u>Item No.</u>	<u>Part No.</u>	<u>Description</u>
Not Shown	905099	R.H. Tray End Deflector Rods
Not Shown	905098	L.H. Tray End Deflector Rods
Not Shown	905113	Complete Transversing Dump Tray (hydraulic package not included)
Not Shown	905287	L.H. Tray End Support Arm
Not Shown	905288	R.H. Tray End Support Arm

Hardware List

<u>Item No.</u>	<u>Part No.</u>	<u>Description</u>
A.	118010	3/4" × 6" NC Eye Bolt–Grade 5
B.	106024	3/4" × 9" NC Hex Bolt–Grade 5
C.		3/4" Lock washer
D.		3/4" NC Hex Nut–Grade 5
E.		5/8" NF Jam Nut
G.	121002	Type C, U-Bolt–3/4" × 6" × 6"



One Step Ahead
 Semi-End Reversible / Traversing

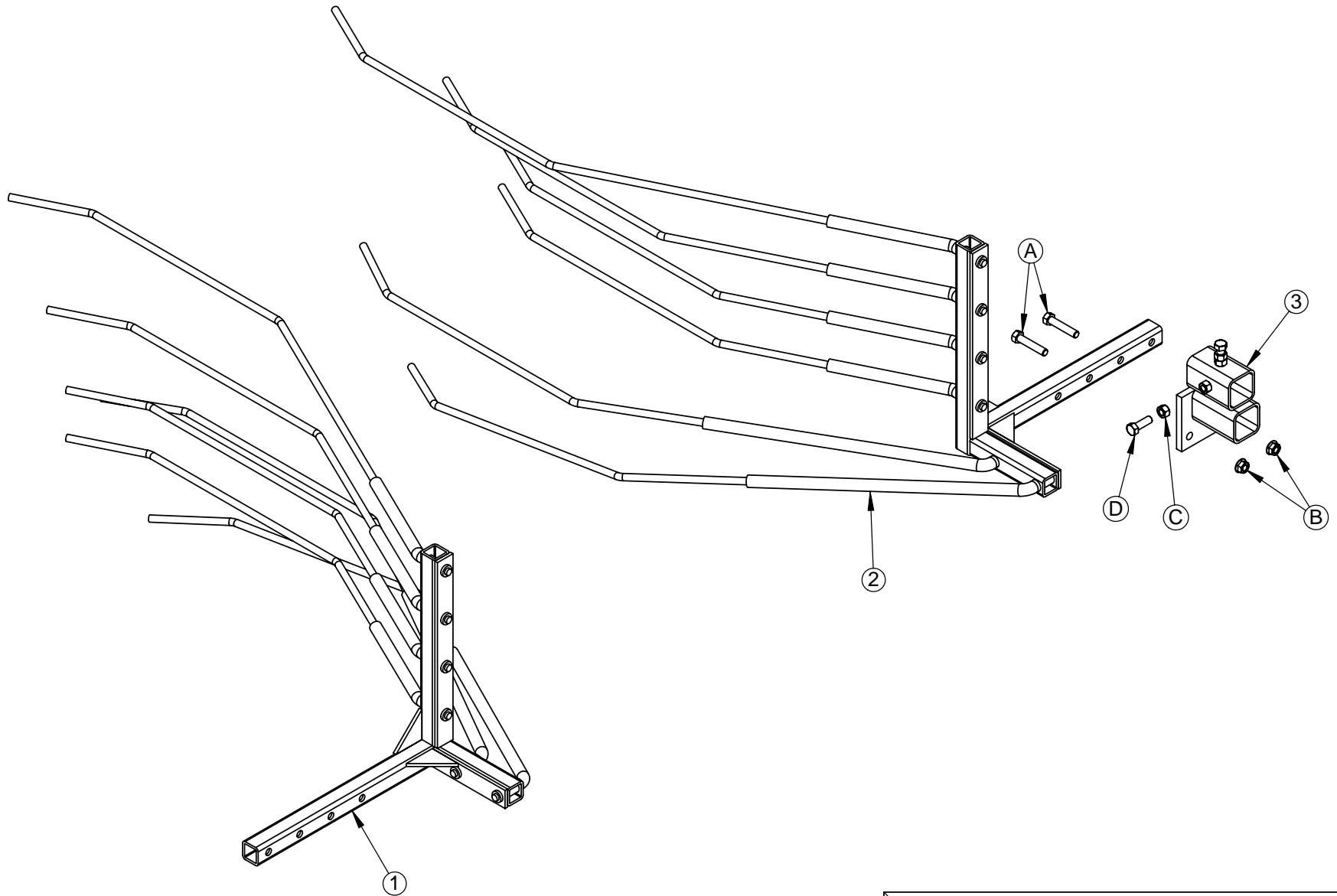
SEMI END REVERSIBLE / TRAVERSING DUMP 124" Tray (2003–Present)

Parts List

<u>Item No.</u>	<u>Part No.</u>	<u>Description</u>
1.	905505	Transversing Dump Tray, Weld Assembly
2.	901175	Crowned Belt Drive Roller, 1" keyed Shaft
3.	901176	Belt Idler Roller, 1" Shaft–No key
4.	900278	Deflector Shield, Tray End
5.	106013	Flangette, 1" Bearing 2-Hole Pr.
6.	102005	Bearing, 1" Insert with Lock Collar
7.	103017	Coupler, 1" × 3" Split
8.	900225	Hydraulic Motor Mount
9.	113022	Motor, Canvas–MG Series
10.	901150	Bracket, 1" Bearing Belt Tightener
11.	900498	Bracket Spacer
12.	900277	Bearing Bracket Clamp
13.	900199	Belt Tightener
14.	106016	Fastener, Wing
15.	900313	Swivel Adapter
16.	900575	Belt Tightener Lever
17.	900386	Crank Tightener
18.	905115	Roller Slide Lock
19.	905105	Traversing Tray Arm RH–See Hardware Items: A,B,C,D
20.	905508	Traversing Tray Arm LH–See Hardware Items: A,B,C,D
21.	905283	Front Tray Roller Mount–Adjustable
22.	102080	Tray Roller Bearing–See Hardware Item E
23.	900016	Tray Back Deflector - R.H.
24.	900015	Tray Back Deflector - L.H.
25.	905512	Traversing Tray Back
26.	102020	Belt Connector Bar with bolts
27.	102125	Belt, SE Draper with bar (246")
28.	119006	Sprocket, 50BS 15 × 1"
29.	119010	Sprocket, Idler 05013E10
30.	103085	Chain, 50 Roller–144 Pins
31.	990100	Hydraulic Motor Mount
32.	113023	Motor, Transversing Tray–MF Series
33.	804285	Belt Tightener Bracket Foliage Shield
	905506	Complete Transversing Dump Tray (includes all parts shown) (hydraulic hoses and adaptors not included)

Hardware List

<u>Item No.</u>	<u>Part No.</u>	<u>Description</u>
A.	118010	3/4" × 6" NC Eye Bolt–Grade 5
B.	106024	3/4" × 9" NC Hex Bolt–Grade 5
C.		3/4" Lock washer
D.		3/4" NC Hex Nut–Grade 5
E.		5/8" NF Jam Nut



Windrowing Rods

WINDROWING RODS

Parts List

<u>Item No.</u>	<u>Part No.</u>	<u>Description</u>
1.	900395	Center Dump Windrowing Rods, Right Hand
2.	900394	Center Dump Windrowing Rods, Left Hand
3.	905479	Windrowing Rod Mounts

Hardware List

<u>Item No.</u>	<u>Part No.</u>	<u>Description</u>
A.		1/2" x 2 1/2" NC Hex Bolt
B.		1/2" NC Whiz Nut
C.		1/2" NC Hex Nut
D.		1/2" x 1 1/2" NC Hex Bolt