

# One Step Ahead Rod Cutter (*Front Mount Unit*)

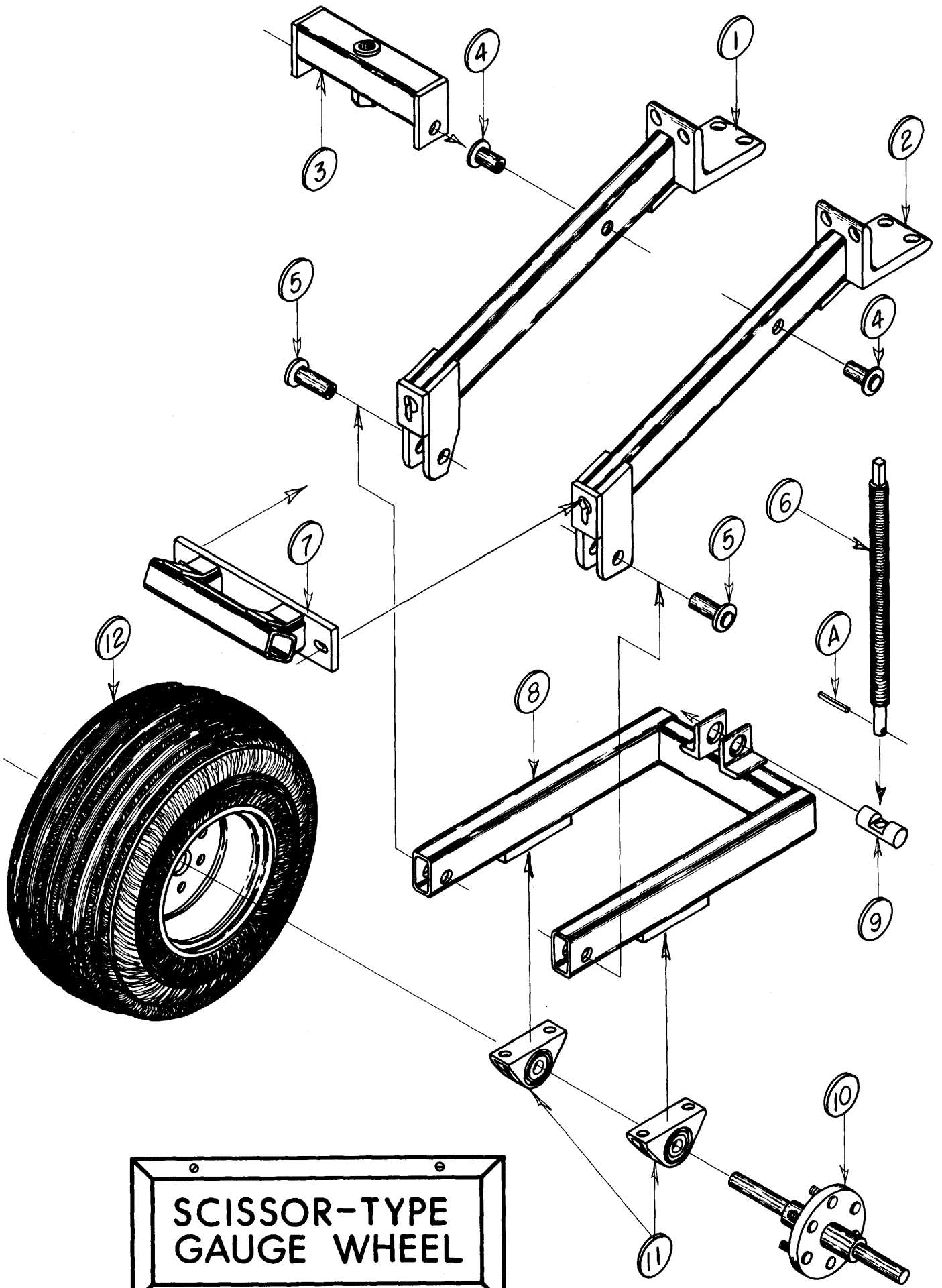
## **Front Gauge Wheels**

## **Section 4**

---

Model Years 1992 – 1994 .....	2-5
Model Years 1995 – 1996 .....	6-9
Model Years 1997 – Present.....	10-11
Front Gauge Wheel Divider 1992 – Present .....	12-13

Return to this page by clicking the upper right corner of any page in this section.



# SCISSOR GAUGE WHEEL ASSEMBLY (1992–1994) (10" Tire)

## 27 x 9.50-15 Tire

### Parts List

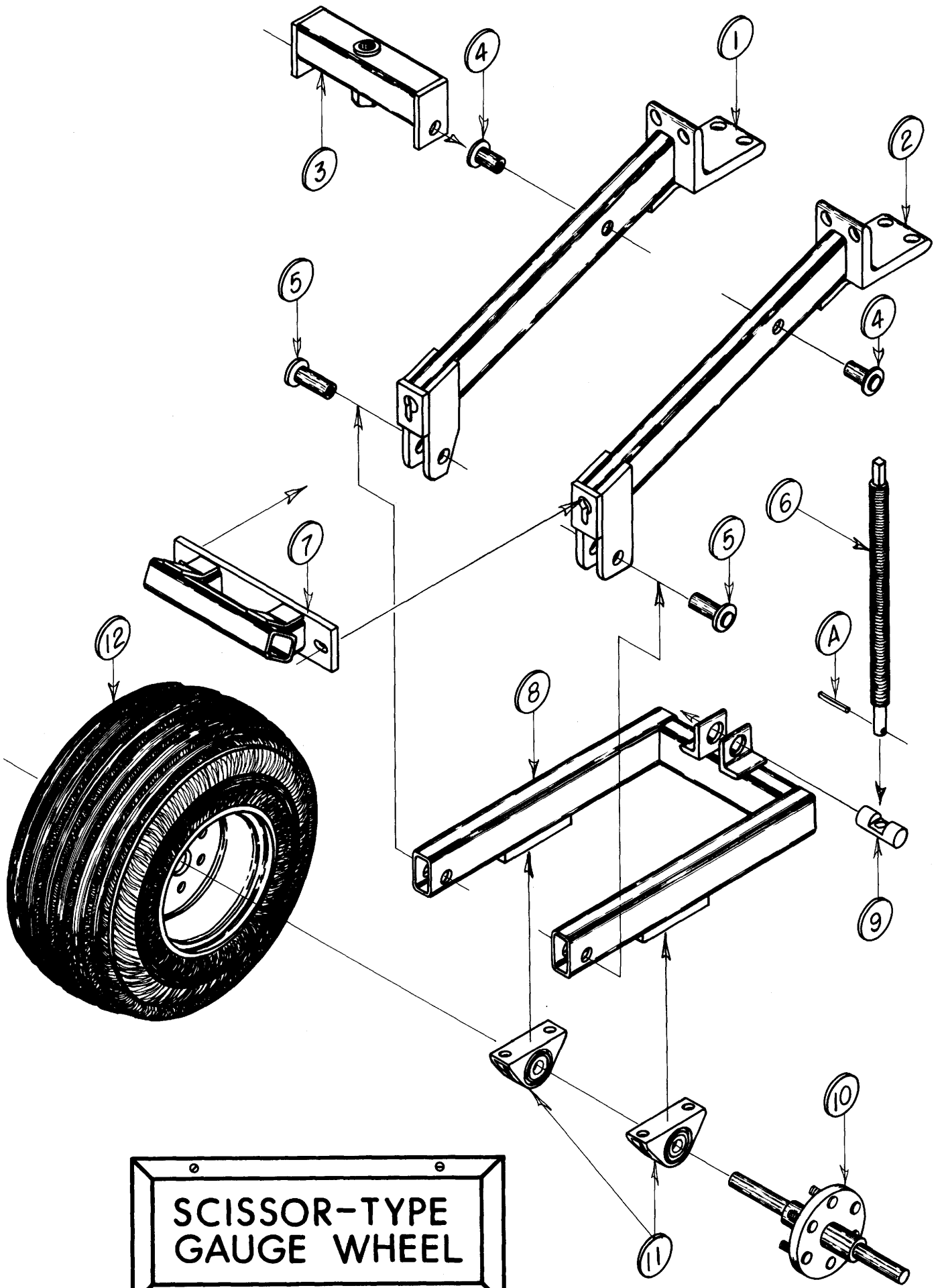
<u>Item No.</u>	<u>Part No.</u>		<u>Description</u>
	<u>Regular Shank</u>	<u>C- Shank</u>	
1.	905187	905227	R.H. Upper Pivot Arm
2.	905188	905226	L.H. Upper Pivot Arm
3.	905190	905190	Upper Pivot Mount
4.	905056	905056	Upper Pivot Bushing—See Hardware Items B & C
5.	905057	905057	Lower Pivot Bushing—See Hardware Items B & C
6.	905072	905072	Screw Shaft
7.	905192	905192	Outside Divider Mount—See Hardware Items D & E
8.	905183	905183	Lower Pivot Arm
9.	905047	905047	Lower Screw Mount Pin
*10.	905180	905180	Wheel Mount (obsolete, requires kit no. 905306)
11.	102055	102055	1¼" Pillow Block Bearing (update with kit no.905306)
12.	123015	123015	Wheel Assembly—Includes: 120012, 123020
Not Shown	120012	120012	Tire, 27 × 9.50–15 tubeless
Not Shown	123020	123020	Steel Wheel
Not Shown	905267	905267	Tire Mud Scraper-Optional, use with 27 × 9.50–15 tire
Not Shown	905268	905268	Tire Mud Scraper - Optional, use with 7.60 × 15 tire
Not Shown	905350-N	905350-N	Complete Scissor Gauge Wheel Assembly (905350-N fits both regular and c-shanks)

### Hardware List

<u>Item No.</u>	<u>Part No.</u>	<u>Description</u>
A.		¼" Roll Pin, 1½" long
B.		½" Lock washer
C.		½" × 1" NC Hex Bolt—Grade 5
D.		½" NC Whiz Nut
E.		½" × 1¾" NC Hex Bolt—Grade 8
F.		½" × 1½" NC Hex Bolt—Grade 5
Not Shown	121015	J-Bolt, (2) required for use with optional mud scrapers

Note: Item no.'s 1, 2, 3, 4, 5, 7, 8, 10 for both regular and cushion shanks, are manufactured on a built-to-order basis only. Contact Pickett Equipment for availability and lead time.

★ See Service Update, Section 8, for complete straddle hub conversion kit, parts layout & breakdown.



**SCISSOR GAUGE WHEEL ASSEMBLY (1992–1994) (12" Tire)****26 x 12.25-15 Tire****Parts List**

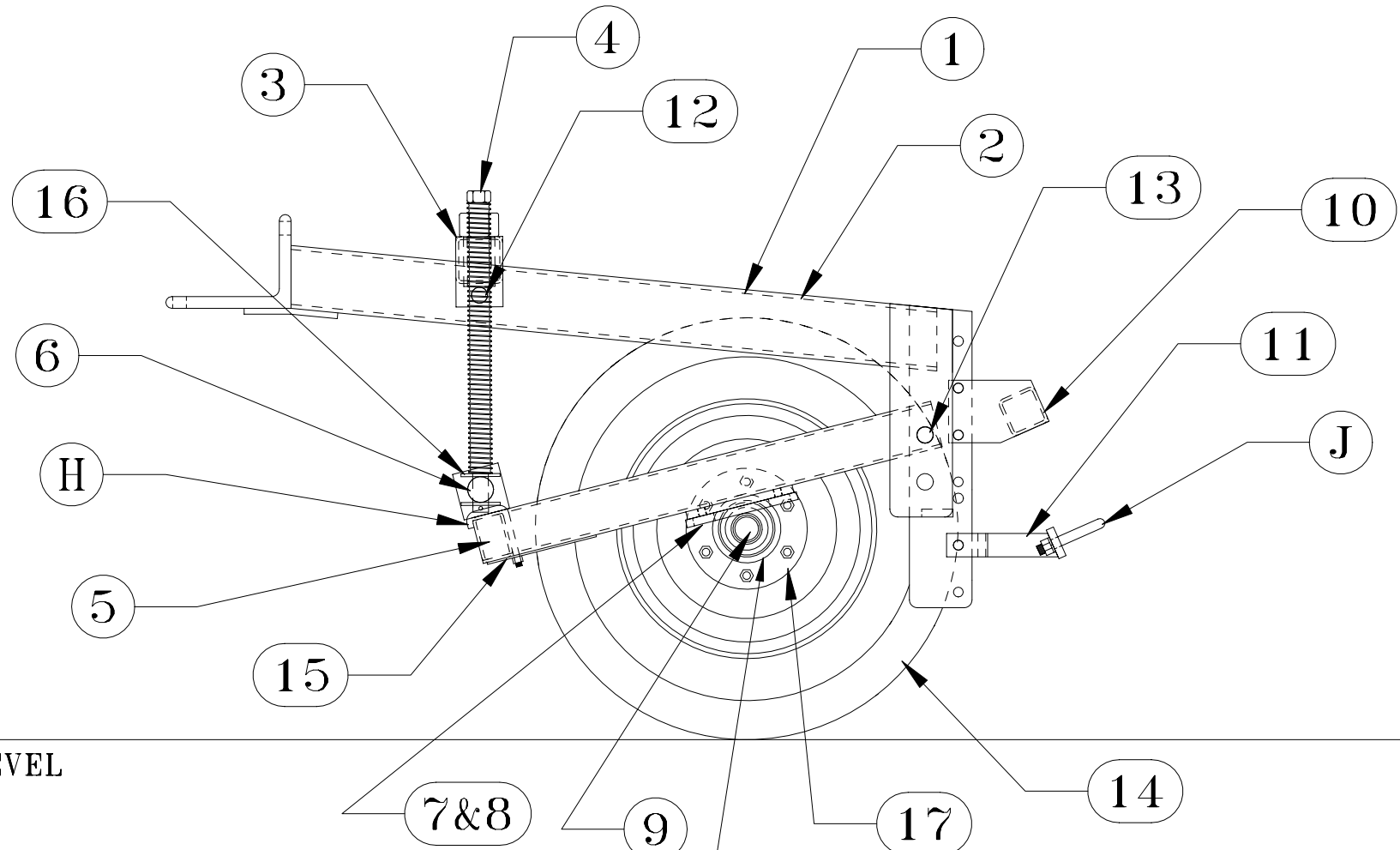
<u>Item No.</u>	<u>Part No.</u>		<u>Description</u>
	<u>Regular Shank</u>	<u>C-Shank</u>	
1.	905055	905175	R.H. Upper Pivot Arm
2.	905054	905176	L.H. Upper Pivot Arm
3.	905070	905070	Upper Pivot Mount
4.	905056	905056	Upper Pivot Bushing—See Hardware Items B & C
5.	905057	905057	Lower Pivot Bushing—See Hardware Items B & C
6.	905072	905072	Screw Shaft
7.	905065	905065	Outside Divider Mount—See Hardware Items D & E
8.	905060	905060	Lower Pivot Arm
9.	905047	905047	Lower Screw Mount Pin
★ 10.	905075	905075	Wheel Mount (obsolete, requires kit no. 905306)
11.	102055	102055	1¼" Pillow Block Bearing (update with kit no. 905306)
12.	123010	123010	Wheel Assembly—Includes: 123011, 123012, 123013
Not Shown	123011	123011	Tire
Not Shown	123012	123012	Steel Wheel
Not Shown	123013	123013	Rubber Tube
Not Shown	905285	905285	Tire Mud Scraper—Optional, use with 26 × 12 × 12 tire
Not Shown	905350-W	905350-W	Complete Scissor Gauge Wheel Assembly (905350-W fits both regular and c-shanks)

**Hardware List**

<u>Item No.</u>	<u>Part No.</u>	<u>Description</u>
A.		¼" Roll Pin, 1½" long
B.		½" Lock washer
C.		½" x 1" NC Hex Bolt—Grade 5
D.		½" NC Whiz Nut
E.		½" x 1¾" NC Hex Bolt—Grade 8
F.		½" x 1½" NC Hex Bolt—Grade 5
Not Shown	121015	J-Bolt, (2) required for use with optional mud scraper

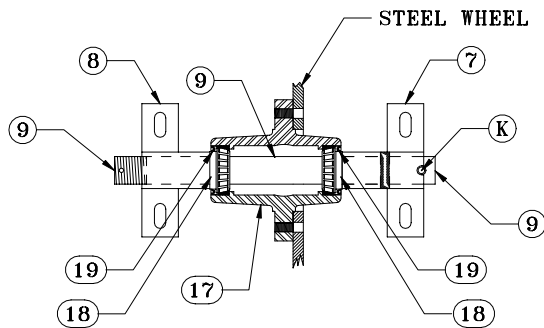
Note: Item no.'s 1, 2, 3, 4, 5, 7, 8, 10 for both regular and cushion shanks, are manufactured on a built-to-order basis only. Contact Pickett Equipment for availability and lead-time.

★ See Service Update, Section 8, for complete straddle hub conversion kit, parts layout & breakdown.



GROUND LEVEL

DETAIL "A" (BOTTOM VIEW)



SEE DETAIL "A"

( 10" TIRE ) SCISSOR GAUGE  
WHEEL ASSEMBLY

# SCISSOR GAUGE WHEEL ASSEMBLY (1995–1996) (10" Tire)

## 27 x 9.50-15 Tire

### Parts List

<u>Item No.</u>	<u>Part No.</u>	<u>Qty</u>	<u>Description</u>
1.	905246	1	L.H. Pivot Arm (Hidden)—Use Hardware Items: A & B
2.	905247	1	R.H. Pivot Arm—Use Hardware Items: A & B
3.	905190	1	Upper Pivot Mount—Use Item No. 12 & Hardware Item C
4.	905072	1	Screw Shaft—Use Item No. 16 & Hardware Item D
5.	905250	1	Lower Pivot Arm
6.	905266	1	Screw Shaft Pivot Pin—Use with Item No. 4
7.	905260	1	Straddle Hub Lock Bushing—Use with Hardware Item F
8.	905261	1	Straddle Hub Carrier Bushing—Use with Hardware Item F
9.	905244	1	Straddle Hub Axle—Use with Items 7 & 8 and Hardware Item I
10.	905255	1	Divider Mount—Use Hardware Item G (mounted outside)
11.	905245	1	Divider Brace—Use Hardware Items G & J (mounted outside)
12.	905239	2	Upper Pivot Arm Bushing
13.	905249	2	Lower Pivot Arm Bushing
14.	123015	1	27 × 9.50-15 Tire Assembly, Standard (incl wheel 123020 & Tire 120012)
	123014	1	7.60-15 Tire Assembly—High Profile, Optional
15.	905267	Optional	Low Profile Mud Scraper—Use Hardware Item H
	905268	Optional	High Profile Mud Scraper—Use Hardware Item H
16.	905264	2	Screw Shaft Centering Spacer Plate
17.	108062	1	Straddle Hub with (6) ½" Acorn Wheel Nuts
18.	102082	2	1½" Roller Bearings—Cone Type
19.	119123	2	Hub Seal
Not Shown	905350-N		Complete Scissor Wheel Assembly (Narrow Frame)

NOTE: Quantity is per scissor wheel.

### Hardware List

<u>Item No.</u>	<u>Part No.</u>	<u>Qty</u>	<u>Description</u>
A.	106009	2	¾" × 9" NC Hex Bolt—Grade 8 with 2 nuts & 2 lock washers
B.	118000	2	¾" × 6" NC Eye Bolt—Grade 8 with 2 nuts & 2 lock washers
C.		2	½" × 3½" NC Hex Bolt—Grade 5 with 4 flat washers & 2 whiz nuts
D.		1	¼" × 1½" Roll Pin
E.		2	½" × 4" NC Hex Bolt—Grade 5 with 4 flat washers & 2 whiz nuts
F.		4	½" × 1½" NC Hex Bolt—Grade 5 with 4 lock & 4 flat washers
G.		6	⅝" × 2" NC Hex Bolt—Grade 5 with 6 whiz nuts
H.	121015	2	⅜" × 2" × 3¾" NC J-Bolt—Grade 2 with 2 whiz nuts
I.		1	1½" NF Castellated Hex Nut
J.	121004	1	Type E, U-Bolt ⅝" × 29/16" × 4—with 2⅝" whiz nuts
K.		1	½" × 2" Roll Pin





## SCISSOR GAUGE WHEEL ASSEMBLY (1995–1996) (12" Tire)

### 26 x 12.25-15 Tire

#### Parts List

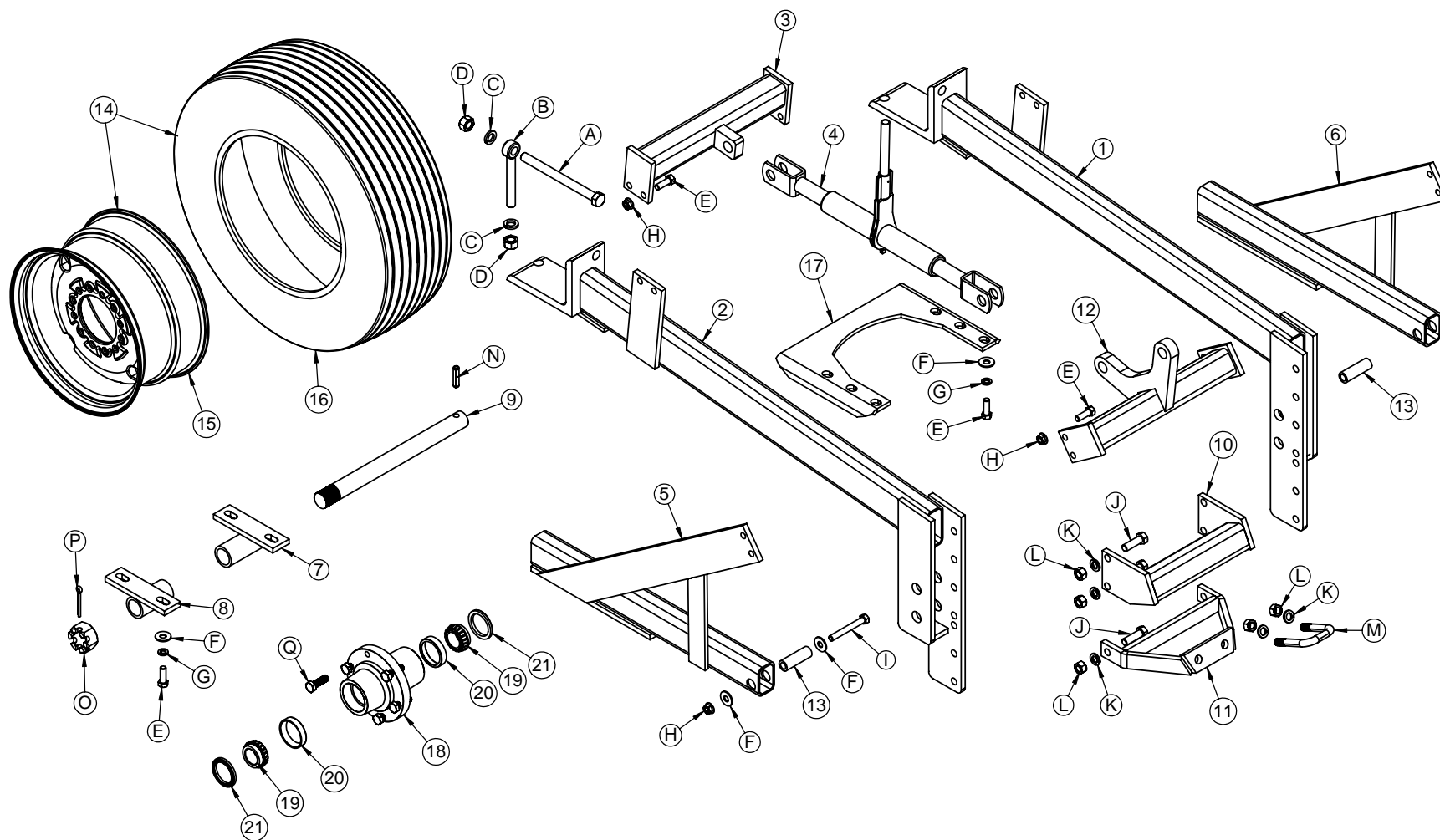
<u>Item No.</u>	<u>Part No.</u>	<u>Qty</u>	<u>Description</u>
1.	905290	1	L.H. Pivot Arm (Hidden)—Use Hardware Items: A & B
2.	905291	1	R.H. Pivot Arm—Use Hardware Items: A & B
3.	905303	1	Upper Pivot Mount—Use Item No. 12 & Hardware Item C
4.	905072	1	Screw Shaft—Use Item No. 16 & Hardware Item D
5.	905305	1	Lower Pivot Arm
6.	905266	1	Screw Shaft Pivot Pin—Use with Item No. 4
7.	905260	1	Straddle Hub Lock Bushing—Use with Hardware Item F
8.	905261	1	Straddle Hub Carrier Bushing—Use with Hardware Item F
9.	905244	1	Straddle Hub Axle—Use with Items 7 & 8 and Hardware Item I
10.	905255	1	Divider Mount—Use Hardware Item G (mounted inside)
11.	905245	1	Divider Brace—Use Hardware Items G & J (mounted inside)
12.	905239	2	Upper Pivot Arm Bushing
13.	905249	2	Lower Pivot Arm Bushing
14.	123010	1	26 x 12.25-15 Tire Assembly (includes wheel 123012 & Tire 123011)
15.	905285	Optional	Wide Profile Mud Scraper—Use Hardware Item H
16.	905264	2	Screw Shaft Centering Spacer Plate
17.	108062	1	Straddle Hub with (6) 1/2" Acorn Wheel Nuts
18.	102082	2	1 1/2" Roller Bearings—Cone Type
19.	119123	2	Hub Seal
20.	905304	1	Axle Spacer Bushing
Not Shown	905350-W		Complete Scissor Wheel Assembly (Wide Frame)

NOTE: Quantity is per scissor wheel.

#### Hardware List

<u>Item No.</u>	<u>Part No.</u>	<u>Qty</u>	<u>Description</u>
A.	106009	2	3/4" x 9" NC Hex Bolt—Grade 8 with 2 nuts & 2 lock washers
B.	118000	2	3/4" x 6" NC Eye Bolt—Grade 8 with 2 nuts & 2 lock washers
C.		2	1/2" x 3 1/2" NC Hex Bolt—Grade 5 with 4 flat washers & 2 whiz nuts
D.		1	1/4" x 1 1/2" Roll Pin
E.		2	1/2" x 4" NC Hex Bolt—Grade 5 with 4 flat washers & 2 whiz nuts
F.		4	1/2" x 1 1/2" NC Hex Bolt—Grade 5 with 4 lock & 4 flat washers
G.		6	5/8" x 2" NC Hex Bolt—Grade 5 with 6 whiz nuts
H.	121015	2	3/8" x 2" x 3 3/4" NC J-Bolt—Grade 2 with 2 whiz nuts
I.		1	1 1/2" NF Castellated Hex Nut
J.	121004	1	Type E, U-Bolt 5/8" x 2 9/16" x 4—with 2 5/8" whiz nuts
K.		1	1/2" x 2" Roll Pin

# Universal Scissor Gauge Wheel



# UNIVERSAL SCISSOR GAUGE WHEEL ASSEMBLY

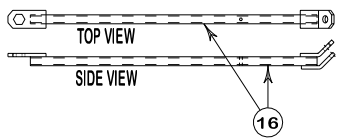
## Parts List

<u>Item No.</u>	<u>Part No.</u>	<u>Qty</u>	<u>Description</u>
1.	905336	1	L.H. Pivot Arm
2.	905335	1	R.H. Pivot Arm
3.	905345	1	Rear Ram Mount
4.	120003	1	Ratchet Jack
5.	905340	1	R.H. Lower Pivot Arm
6.	905341	1	L.H. Lower Pivot Arm
7.	905260	1	Straddle Hub Lock Bushing
8.	905261	1	Straddle Hub Carrier Bushing
9.	905244	1	Straddle Hub Axle
10.	905255	1	Divider Mount
11.	905245	1	Divider Brace
12.	905349	1	Front Ram Mount
13.	905249	2	Lower Pivot Arm Bushing
14.	123015	1	27 x 9.50 –15 Tire Assembly (Includes Items 15 & 16)
15.	123020	1	Wheel, 15 x 8
16.	120012	1	Tire, 27 x 9.50 – 15
17.	905380	1	Mud Scraper
18.	108062	1	Straddle Hub (Includes Items 19, 20 & 21)
19.	102082	2	Bearing Cone, 1 1/2" Tapered Roller
20.	102137	2	Bearing Cup, Tapered Roller
21.	119123	2	Hub Seal
22.	905350-N	1 set	Complete Scissor Wheel (Includes 2 of all above listed items & hardware)
23.	103027		Hydraulic Cylinder (optional – used in hydraulic gauge wheel kits)
24.	405033		Depth Marker Assembly (optional – included with hydraulic kits.)
25.	905465		Depth Marker Arm (optional)
26.	905463		Depth Marker Guide (optional)

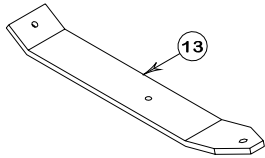
## Hardware List

<u>Item No.</u>	<u>Part No.</u>	<u>Qty</u>	<u>Description</u>
A.	106009	2	3/4" x 9" NC Hex Bolt
B.	118000	2	3/4" x 6" NC Eye Bolt
C.		4	3/4" Lock Washer
D.		4	3/4" NC Hex Nut
E.		16	1/2" x 1 1/2" NC Hex Bolt
F.		12	1/2" Flat Washer
G.		8	1/2" Lock Washer
H.		10	1/2" NC Whiz Nuts
I.		2	1/2" x 4" NC Hex Bolt
J.		6	5/8" x 2" NC Hex Bolt
K.		8	5/8" Lock Washer
L.		8	5/8" NC Hex Nut
M.	121004	1	Type E, U-Bolt
N.		1	1/2" x 2" Roll Pin
O.		1	1 1/2" NF Slotted Hex Nut
P.		1	1/4" x 2 1/2" Cotter Key
Q.		6	9/16" x 1 1/2" Wheel Bolt
R.	121016	1	Type N, U-Bolt
S.		2	3/8" NC Whiz Nuts

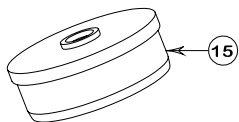
**PICKUP HEAD/DIVIDER POINT TOOL**



**DIVIDER SHOE**



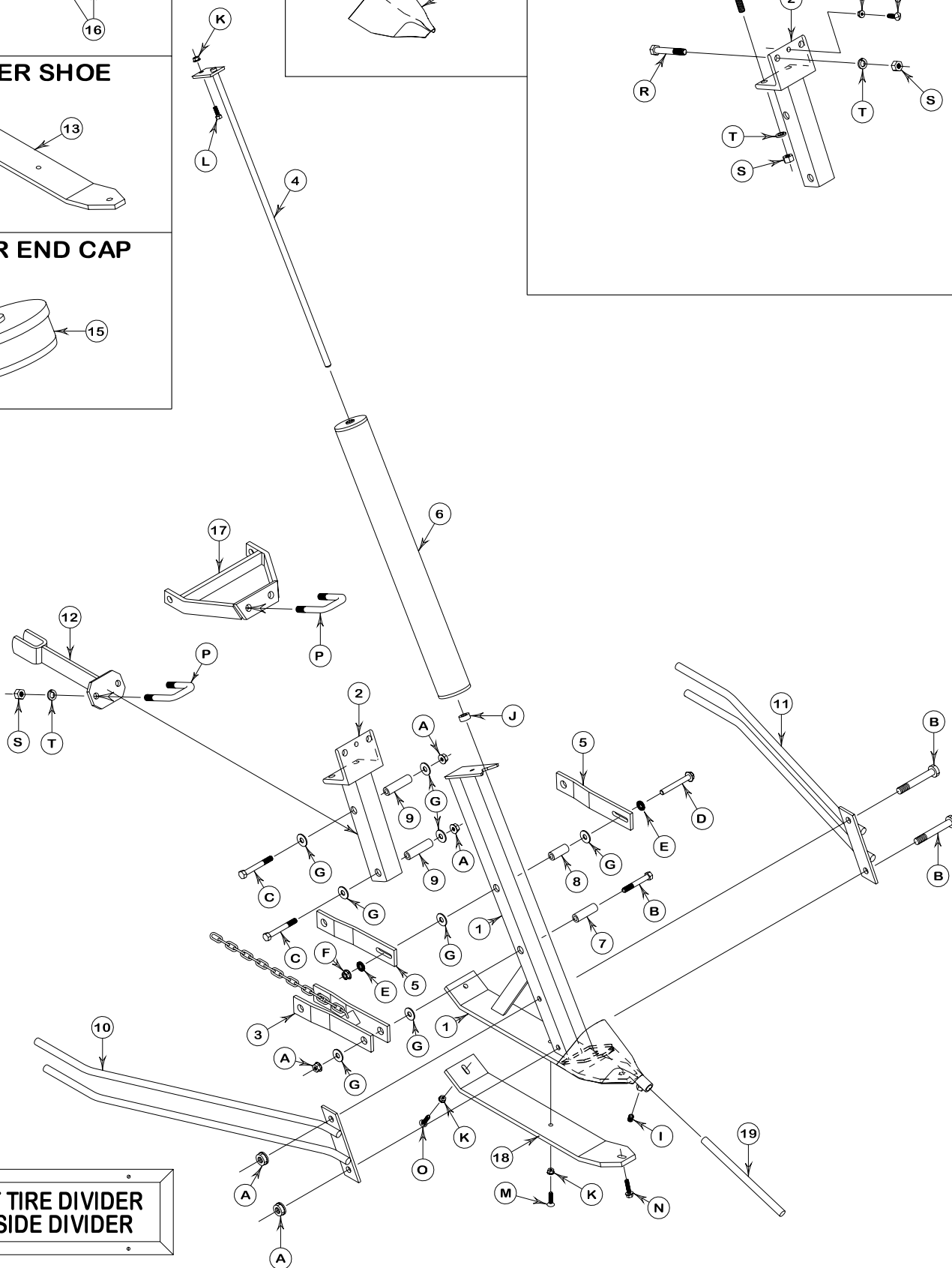
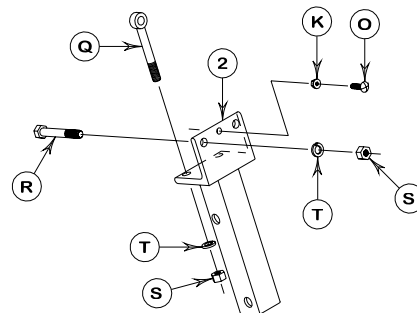
**ROLLER END CAP**



**NOSE CONE**



**PIVOT ARM MOUNTING HARDWARE**



**FRONT TIRE DIVIDER  
/ OUTSIDE DIVIDER**

## FRONT TIRE DIVIDER ASSEMBLY

### Parts List

<u>Item No.</u>	<u>Part No.</u>	<u>Description</u>
1.	300020-97	Main Frame
2.	300085	Pivot Arm Mount—See Hardware Items: Q, R, S & T
3.	300013	Lower Pivot Arm (Includes bushings Items: 7 & 9)
4.	300056	Divider Pin
5.	300014	Upper Pivot Arm (Includes bushings Items: 8 & 9)
6.	300006	Divider Roller
7.	300057	Lower Front Bushing—2.8125" long
8.	300058	Upper Front Bushing—2.125" long
9.	300059	Pivot Arm Bushing—3.3125" long
10.	300033	R.H. Divider Rod, short
10a.	300067	R.H. Divider Rod, long (Not Shown)
11.	300034	L.H. Divider Rod, short
11a.	300066	L.H. Divider Rod, long (Not Shown)
12.	900506	Divider Brace (Std Shank)
13.	300005	Divider Shoe (weld on replacement)
14.	300021	Nose Cone (weld on replacement)
15.	118001	Roller End Cap
16.	901475	Divider Point Adjustment Tool
17.	905245	Divider Brace (Scissor Gauge Wheel)
18.	300095	Divider Wear Shoe (UHMW)
19.	300024	Divider Point
	300018	Front Tire Divider—Complete without Rods

### Hardware List

<u>Item No.</u>	<u>Part No.</u>	<u>Description</u>
A.		1/2" NC Whiz Nut
B.		1/2" x 3 1/2" NC Hex Bolt
C.		1/2" x 4" NC Hex Bolt
D.		1/2" x 4" NC Hex Flange Bolt
E.		1/2" Disc Lock Washer
F.		1/2" NC Hex Flange Lock Nut
G.		1/2" Flat Washer
H.	106058	Bolt Kit, Divider Upper Front Bolt (Includes: 1) D, 2) E, 1) F & 2) G
I.		1/2" x 3/4" NC Set Screw (square head)
J.	103042	Collar, 5/8" Lock
K.		3/8" NC Whiz Nut
L.		3/8" x 1" NC Hex Bolt
M.		3/8" x 1 1/2" NC Flat Head Bolt
N.		3/8" x 1 1/2" NC Whiz Head Bolt
O.		3/8" x 1 1/2" NC Carriage Bolt
P.	121004	U-Bolt, Type E 5/8" x 2 9/16" x 4"
Q.	118026	5/8" x 4 1/2" NC Eye Bolt
R.		5/8" x 4 1/2" NC Hex Bolt
S.		5/8" NC Hex Nut
T.		5/8" Lock Washer