

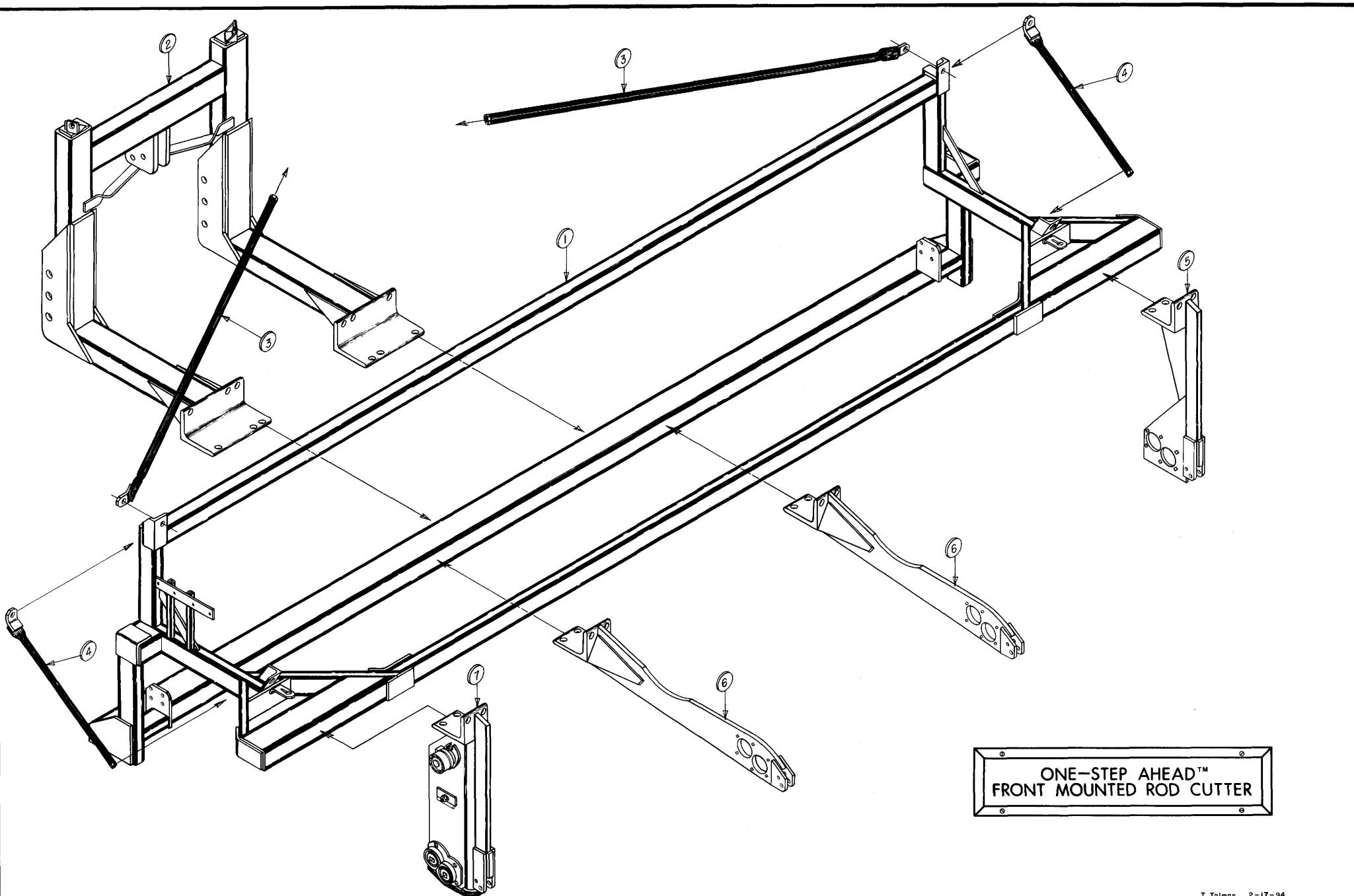
One Step Ahead Rod Cutter (*Front Mount Unit*)

Main Frames

Section 3

Model Years 1992 – 1994	2-3
Model Years 1995 – Present.....	4-5

Return to this page by clicking the upper right corner of any page in this section.



ONE-STEP AHEAD™
FRONT MOUNTED ROD CUTTER

FRONT MOUNTED ROD CUTTER (1992–1994)

Parts List

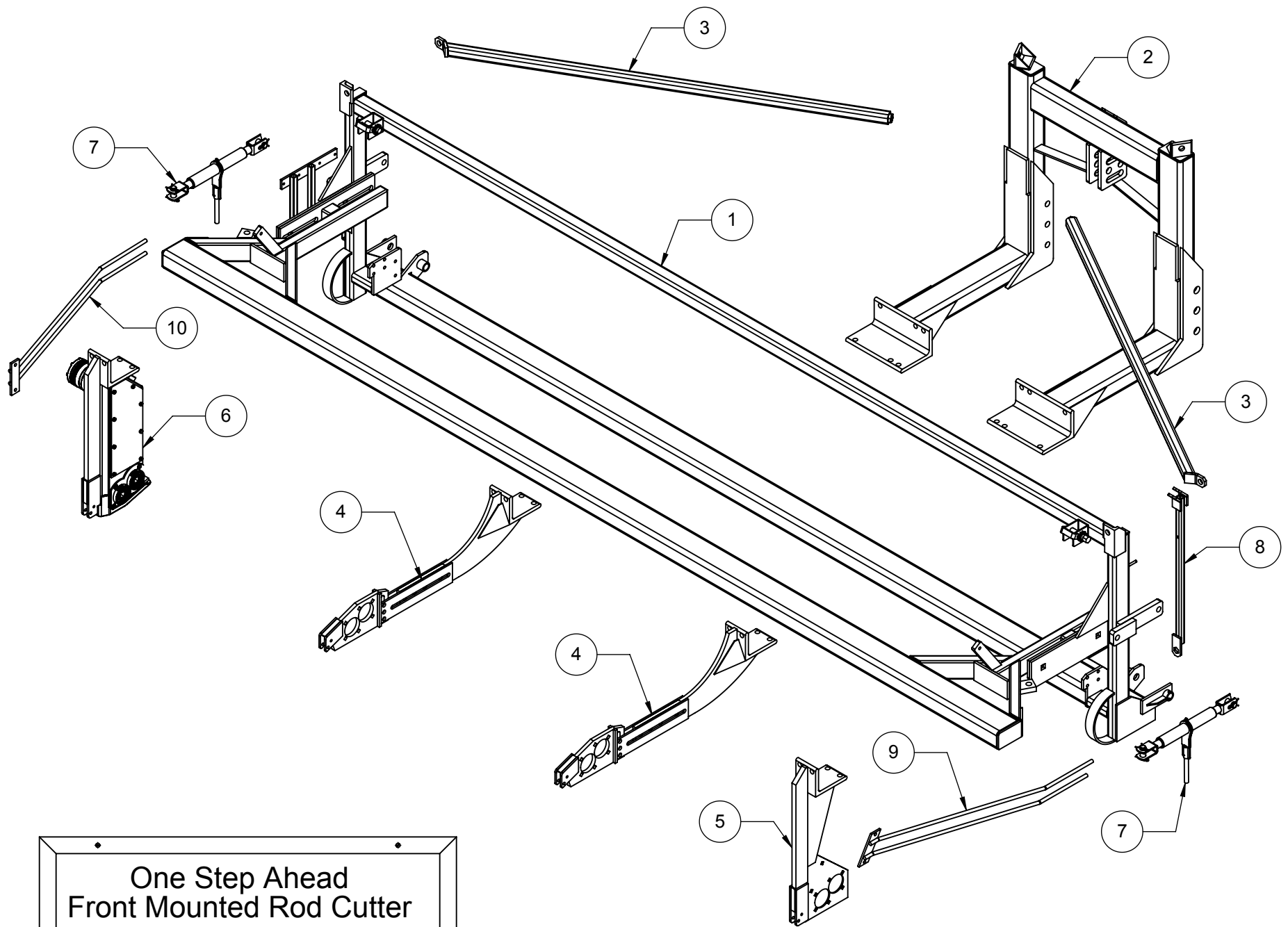
<u>Item No.</u>	<u>Part No.</u>	<u>Description</u>
1.	905040★	Main Frame—Standard Model, 6-30 & 8-22
2.	905015	Three Point Hitch—See Three Point Hitch Section
3.	905030-94★	Rear Guy Rod—See Hardware List Items: E, F, & G
4.	905044★	Front Guy Rod—See Hardware List Items: E, F, & G
5.	900950	Two Hole End Shank)Replaces No. 900408 ♦ See Note)
6.	905045	Two-Hole Belly Shank)Replaced by 905275
7.	905090	Hydraulic Drive Chain Case (See Hydraulic Chain Case Section)
Not Shown	900280-L	Lower Frame Deflector Rods (L.H.)
Not Shown	900280-R	Lower Frame Deflector Rods (R.H.)
Not Shown	116023	V-Bottom Rock Point
Not Shown	116006	Shear Point
Not Shown	116024	Belly Shank Point

Hardware List

<u>Item No.</u>	<u>Part No.</u>	<u>Description</u>
A.	118000	3/4" × 6" NC Eye Bolt—Grade 8
B.	106009	3/4" × 9" NC Hex Bolt—Grade 8
C.		3/4" Lock washer
D.		3/4" NC Hex Nut
E.		1" × 2 1/2" NC Hex Bolt—Grade 5
F.		1" Lock washer
G.		1" NC Hex Nut

♦ Part No. 900408 is no longer manufactured. Contact Pickett Equipment or your local dealer for conversion update information.

★ This part is manufactured on a built-to-order basis only. Call Pickett Equipment for availability and lead time.



One Step Ahead
Front Mounted Rod Cutter

FRONT MOUNTED ROD CUTTER (1995 – Present)

Parts List

<u>Item No.</u>	<u>Part No.</u>	<u>Description</u>
1.	905313	Main Frame - Standard, 6-30 & 8-22 with Slide Plates
	905313-636	Main Frame – 6 Row 36 with Slide Plates
	905313-830	Main Frame – 8 Row 30 with Slide Plates
	905313-1222	Main Frame – 12 Row 22 with Slide Plates
2.	905015	Three-Point Hitch – 6-30 & 8-22 See Three-Point Hitch Section
	905400	Three-Point Hitch – 6-36 See Three-Point Hitch Section
	905151	Three-Point Hitch – 8-30 & 12-22 See Three-Point Hitch Section
3.	905030	Rear Guy Rod–6-30 & 8-22 See Hardware List Items: E, F, & G
	905490	Rear Guy Rod–6-36 See Hardware List Items: E, F, & G
	905207	Rear Guy Rod–8-30 See Hardware List Items: E, F, & G
	905153	Rear Guy Rod–12-22 See Hardware List Items: E, F, & G
4.	905275	Belly Shank Assembly
5.	900950	Two-Hole End Shank R.H. Drive–See Hardware Items: A, B, C, D
6.	905090	Hydraulic Drive Chain Case (See Hydraulic Chain Case Section)
7.	120003	Turnbuckle, Ratchet Jack
8.	901475	Pickup Head / Divider Point Tool
9.	300066	Deflector Rod, LH
10.	905475	Deflector Rod, RH Chain Case

Hardware List

<u>Item No.</u>	<u>Part No.</u>	<u>Description</u>
A.	118000	¾" × 6" NC Eye Bolt–Grade 8
B.	106009	¾" × 9" NC Hex Bolt–Grade 8
C.		¾" Lock washer
D.		¾" NC Hex Nut–Grade 8
E.		1" × 2½" NC Hex Bolt–Grade 5
F.		1" Lock washer
G.		1" NC Hex Nut