

# One Step Ahead Rod Cutter (*Front Mount Unit*)

## **Three Point Hitch**

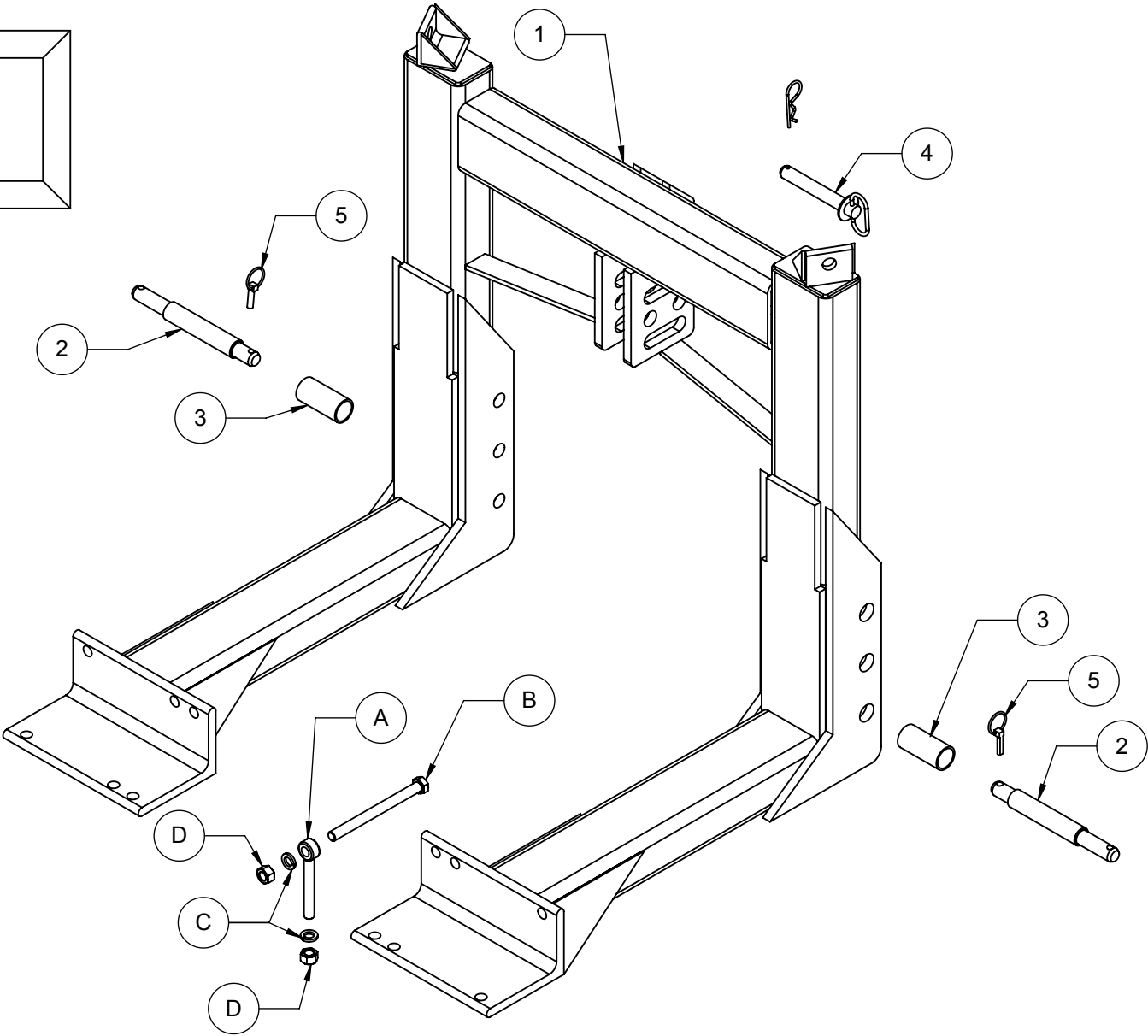
## **Section 2**

---

6 Row 30 & 8 Row 22.....	2-3
Small Machines Without Rear Gauge Wheels .....	4-5
6 Row 36 .....	6-7
8 Row 30 & 12 Row 22.....	8-9

Return to this page by clicking the upper right corner of any page in this section.

**One Step Ahead  
Three Point Hitch**



---

## Three Point Hitch 6 ROW 30 & 8 ROW 22

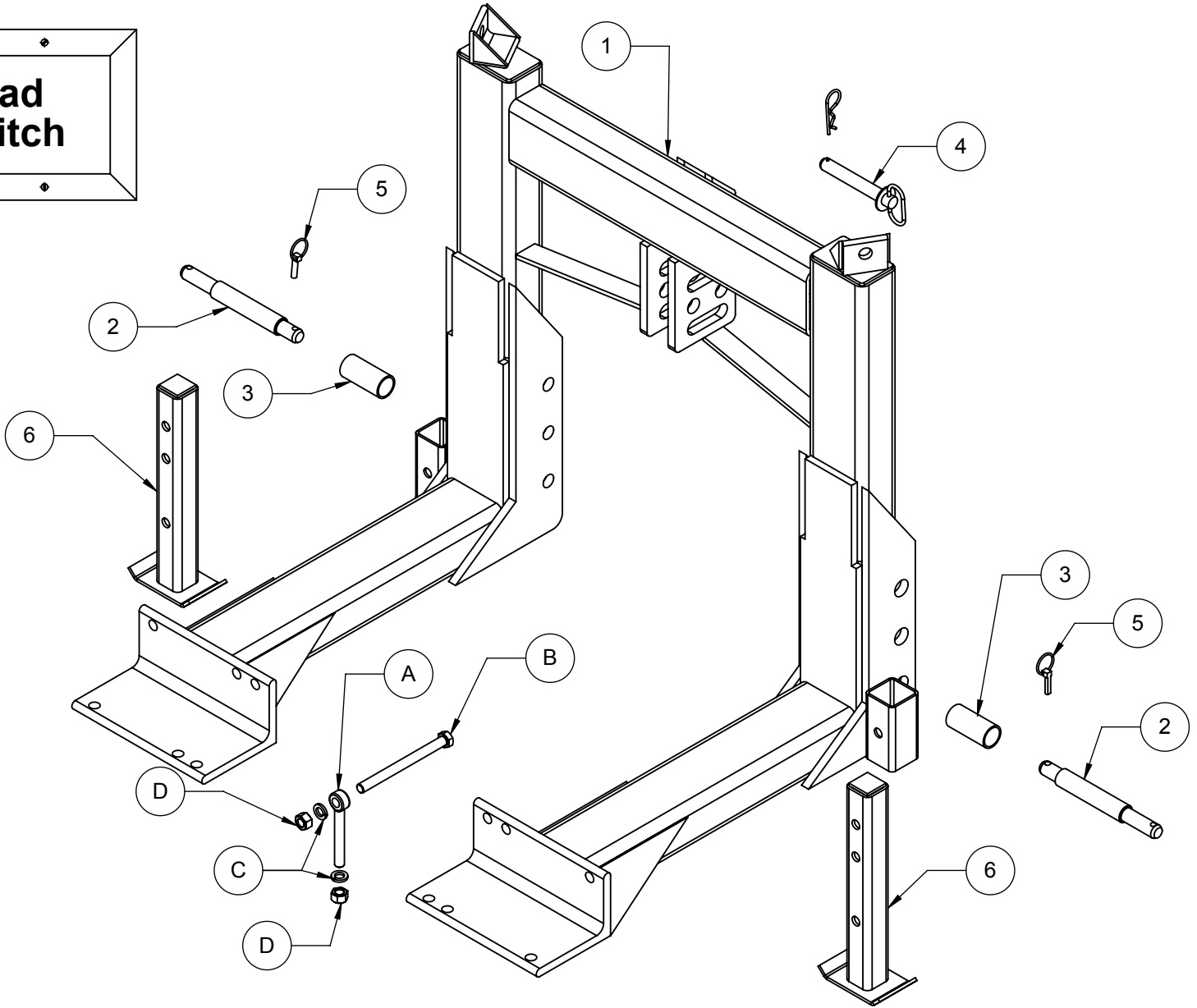
### Parts List

<u>Item No.</u>	<u>Part No.</u>	<u>Qty</u>	<u>Description</u>
1.	905015	1	Three Point Hitch
2.	116001	2	Category 2-3 Pin
3.	800120	2	Lower Three Point Pin Spacer
4.	116021	1	Upper Hitch Pin
5.	116002	2	Latch Pin

### Parts List

<u>Item No.</u>	<u>Part No.</u>	<u>Qty</u>	<u>Description</u>
A.	118000	6	3/4" x 6" NC Eye Bolt – Grade 8
B.	106009	6	3/4" x 9" NC Hex Bolt – Grade 8
C.		12	3/4" NC Hex Nut
D.		12	3/4" NC Lock Washer

**One Step Ahead  
Three Point Hitch**



## Three Point Hitch Small Machines Without Rear Gauge Wheels

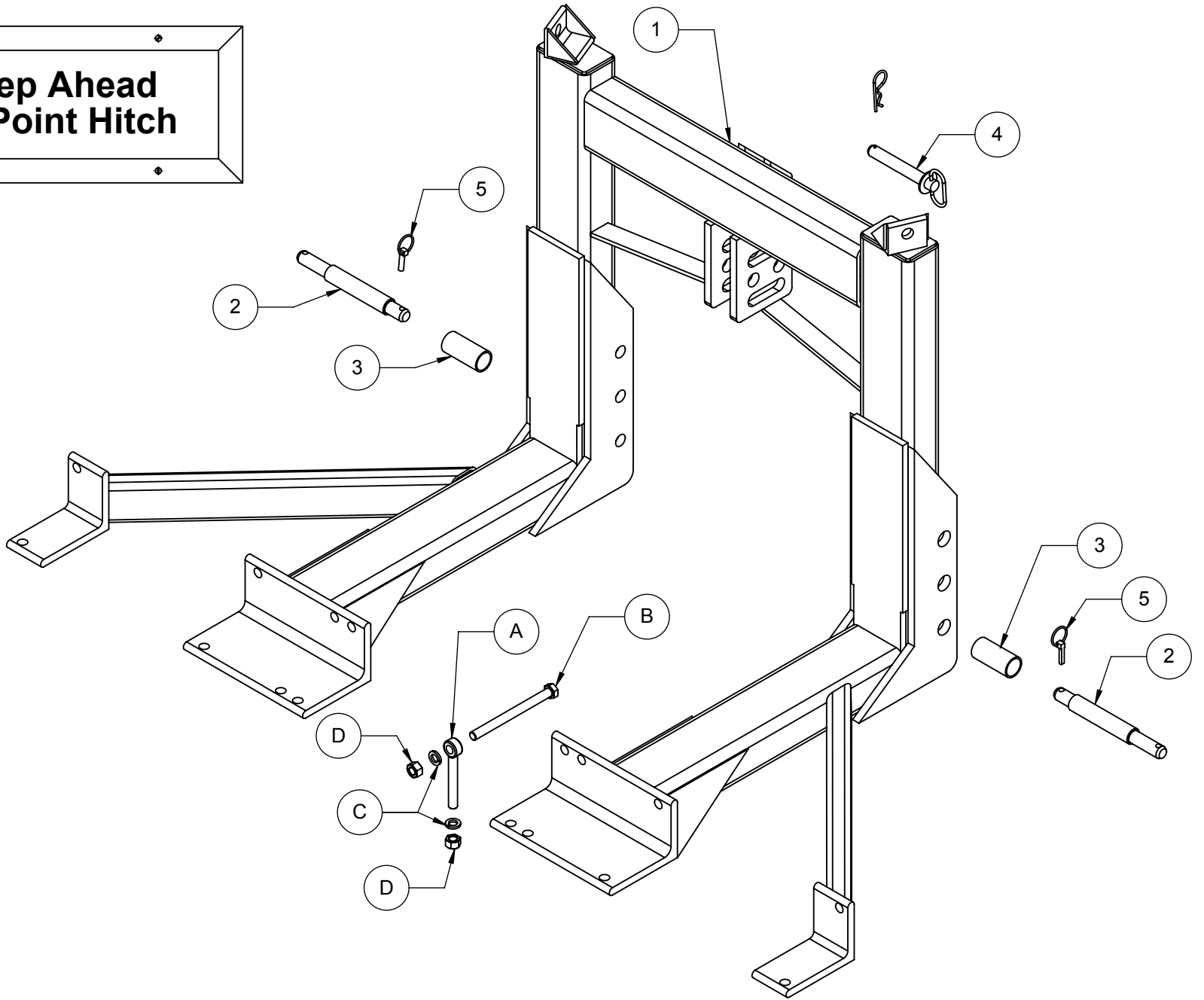
### Parts List

<u>Item No.</u>	<u>Part No.</u>	<u>Qty</u>	<u>Description</u>
1.	905015	1	Three Point Hitch Small Machines Without Rear Gauge Wheels
2.	116001	2	Category 2-3 Pin
3.	800120	2	Lower Three Point Pin Spacer
4.	116021	1	Upper Hitch Pin
5.	116002	2	Latch Pin
6.	905116	2	Jack Stand Assembly

### Parts List

<u>Item No.</u>	<u>Part No.</u>	<u>Qty</u>	<u>Description</u>
A.	106009	6	3/4" x 9" NC Hex Bolt – Grade 8
B.	118000	6	3/4" x 6" NC Eye Bolt – Grade 8
C.		12	3/4" NC Hex Nut
D.		12	3/4" NC Lock Washer

**One Step Ahead  
Three Point Hitch**



---

## Three Point Hitch 6 Row 36

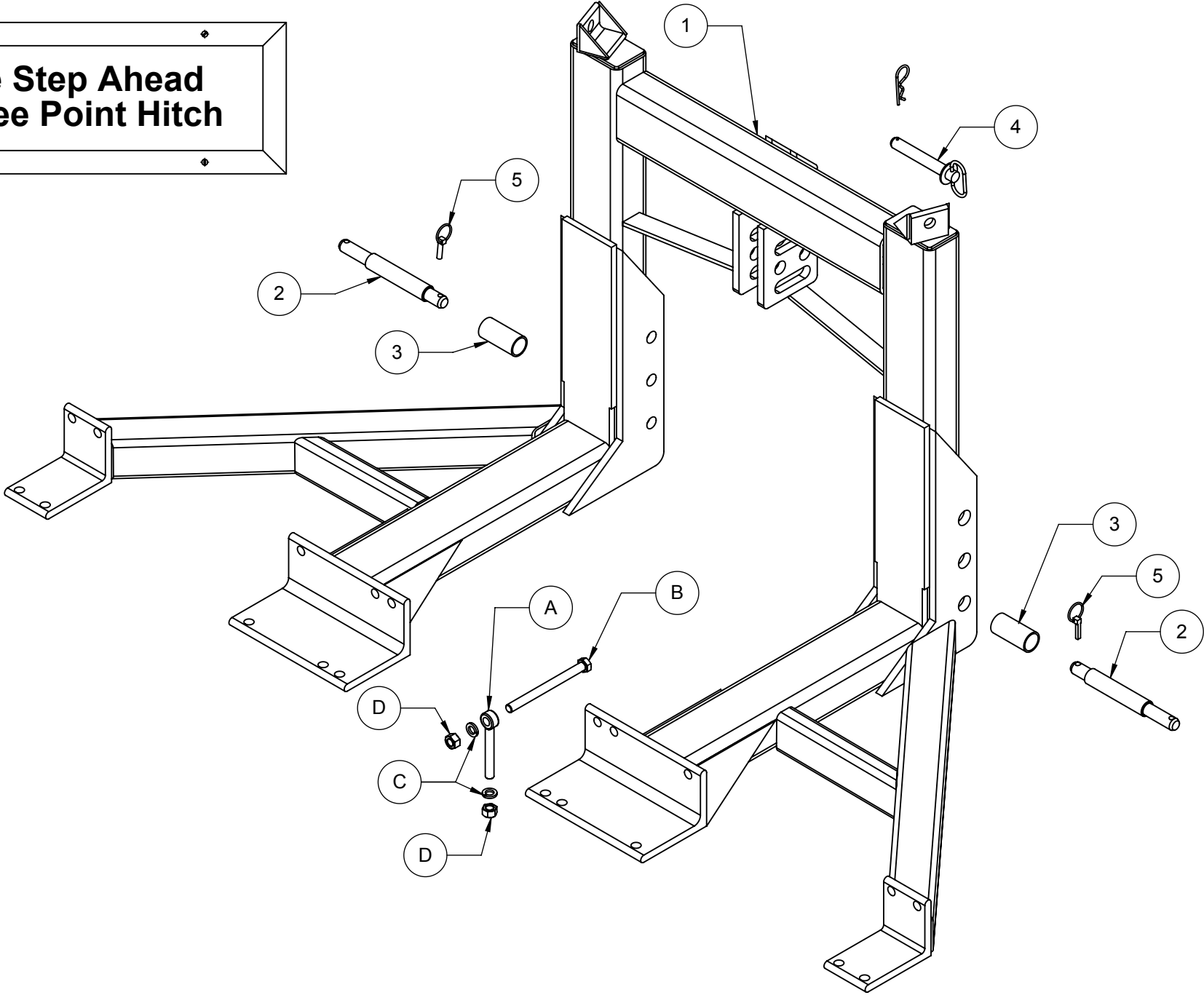
### Parts List

<u>Item No.</u>	<u>Part No.</u>	<u>Qty</u>	<u>Description</u>
1.	905400	1	Three Point Hitch 6 Row 36
2.	116001	2	Category 2-3 Pin
3.	800120	2	Lower Three Point Pin Spacer
4.	116021	1	Upper Hitch Pin
5.	116002	2	Latch Pin

### Parts List

<u>Item No.</u>	<u>Part No.</u>	<u>Qty</u>	<u>Description</u>
A.	118000	8	3/4" x 6" NC Eye Bolt – Grade 8
B.	106009	8	3/4" x 9" NC Hex Bolt – Grade 8
C.		16	3/4" NC Hex Nut
D.		16	3/4" NC Lock Washer

**One Step Ahead  
Three Point Hitch**





---

## Three Point Hitch 8 Row 30" & 12 Row 22"

### Parts List

<u>Item No.</u>	<u>Part No.</u>	<u>Qty</u>	<u>Description</u>
1.	905151	1	Three Point Hitch (large machines)
2.	116001	2	Category 2-3 Pin
3.	800120	2	Lower Three Point Pin Spacer
4.	116021	1	Upper Hitch Pin
5.	116002	2	Latch Pin

### Parts List

<u>Item No.</u>	<u>Part No.</u>	<u>Qty</u>	<u>Description</u>
A.	106009	10	3/4" x 9" NC Hex Bolt – Grade 8
B.	118000	10	3/4" x 6" NC Eye Bolt – Grade 8
C.		20	3/4" NC Hex Nut
D.		20	3/4" NC Lock Washer