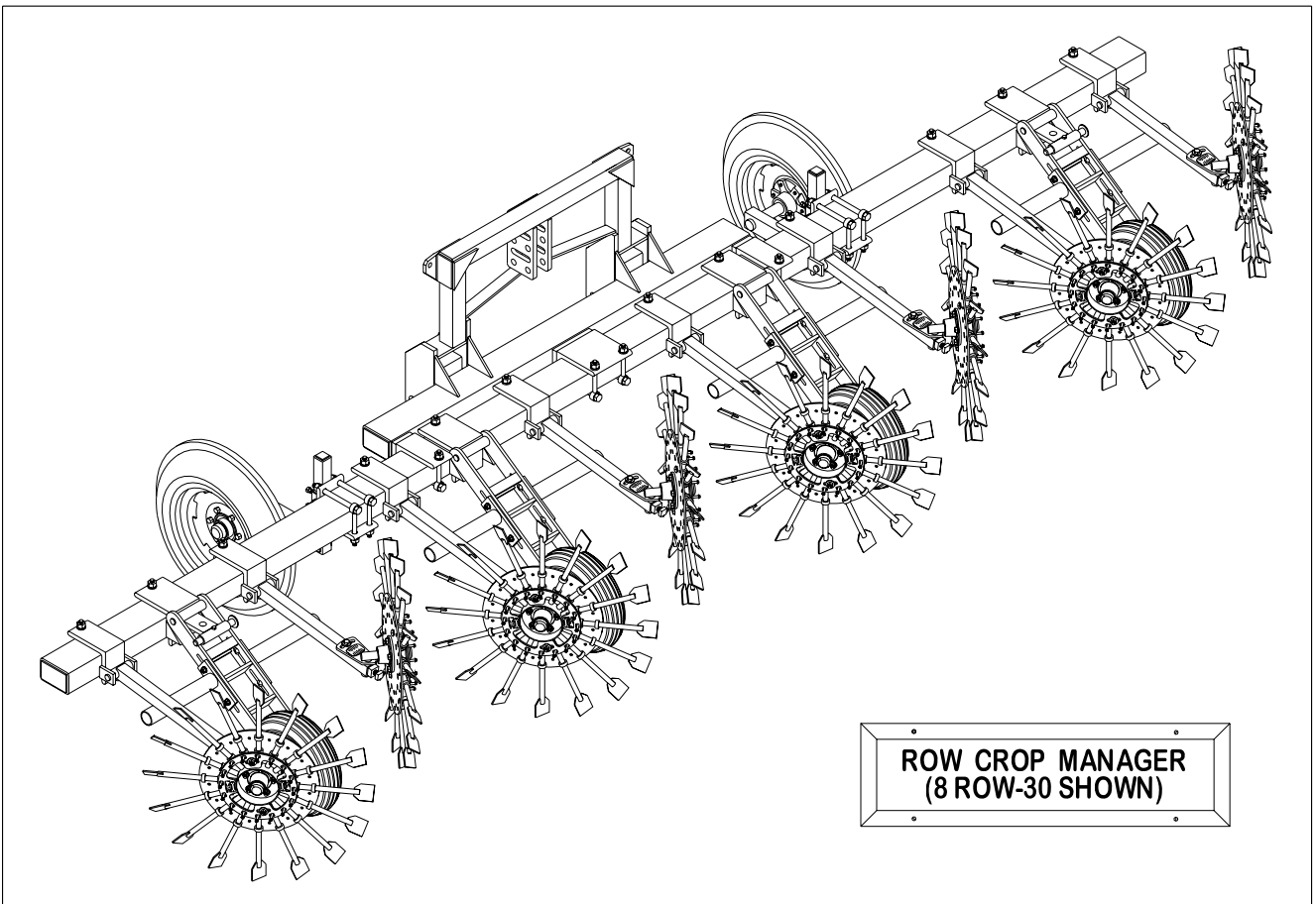




ROW CROP MANAGER

PICKETT EQUIPMENT

OPERATOR'S MANUAL & PARTS LISTING



Pickett Equipment

976 East Main Street * Phone: 208-678-0855 * www.pickettequipment.com
Burley, Idaho 83318 * Fax: 208-678-1404 * pickett@rvmi.com

Congratulations on the purchase of your new Pickett Row Crop Manager. We welcome you to an ever-growing family of farmers using the Pickett system to manage sugar beet crops, as well as their other row crops. Thanks to your patronage, and the patronage of others like you, Pickett Equipment has become recognized as the most progressive row crop manager system available in the industry.

We encourage you to read the Operator's Manual thoroughly to ensure satisfactory and trouble-free operation. Failure to do so could result in equipment failure or personal injury. Again, we thank you for choosing Pickett Equipment.

TABLE OF CONTENTS

Pickett Equipment Warranty.....	I
Warranty Disclaimers.....	II
Pre-Delivery Checklist.....	III
Delivery Checklist.....	IV
After Sale Checklist.....	V
Safety Stickers.....	VI
Safety.....	VII – IX
Setting Up the Tractor.....	1
Tractor Centered over the Row.....	2
Module Centered over at 12:00 and 6:00.....	3
Tool Bar Leveling.....	4
Tool Bar Leveling (Top View).....	5
Determining Percentage Settings.....	6
Setting the Module.....	7
Angle Adjustment.....	8
Depth Control Arm.....	9
Crop Size and Window of Opportunity.....	10
Cultivation Practices.....	11
Lubrication Sites.....	12
Lateral Move & Guide Tires.....	13
Target Stand Counts.....	14
Double Pass Row Markings.....	15
The Spring Tine Cultivating Option.....	16-17
Row Crop Manager(Complete Parts Breakdown).....	18-19
Adjustable Row Module(Parts Breakdown).....	20-21
Adjustable Depth Control Arm(Parts Breakdown).....	22-23

NOTES

PICKETT FARM EQUIPMENT WARRANTY

Pickett Equipment warrants to the original purchaser of each item of new Pickett Farm Equipment that the product be free from defects in material and workmanship under normal use and service. If such equipment is found to be defective within one season or 350 acres, whichever shall occur first, the obligation of **PICKETT EQUIPMENT** under this warranty is limited to the repairing or replacing of (exclusive of the cost of labor and transportation), any equipment or parts, in the judgment of **PICKETT EQUIPMENT** to be defective in material or workmanship.

All equipment or parts claimed to be defective in material or workmanship must be made available for inspection at the place of business of a dealer authorized to handle the equipment covered by this warranty, or, upon request by **PICKETT EQUIPMENT**, shipped to the **PICKETT EQUIPMENT** factory in Burley, Idaho. **PICKETT EQUIPMENT shall have no obligation to bear the cost of labor or transportation in connection with replacement or repair of any such defective parts.** **PICKETT EQUIPMENT** will pay internal shop rates on the modification or repair of defective parts in the setup procedure.

This warranty covers only defects in material and workmanship. It does not cover depreciation or damage caused by normal wear, accident, improper assembly, improper adjustments, improper maintenance including lack of proper lubrication, or improper use. Therefore, **PICKETT EQUIPMENT** liability under this warranty shall not be effective or actionable unless the equipment is assembled, maintained and operated in accordance with the Operating instructions accompanying the equipment. **PICKETT EQUIPMENT** shall have no liability if the equipment has been altered or reworked without the written authorization of **PICKETT EQUIPMENT**.

Damages resulting from rocky conditions are not covered by this warranty.

PICKETT EQUIPMENT does not warrant commercial components not manufactured by **PICKETT EQUIPMENT**. But, if new, these components may be warranted by the manufacturer thereof.

The only remedies any purchaser has in connection with the breach or performance of any warranty of Pickett Farm Equipment are those set forth in this warranty. In no event shall **PICKETT EQUIPMENT** be liable for incidental or consequential damages or injuries including, but not limited to, loss of crops, loss of profits, rental of substitute equipment or other commercial loss.

This warranty is expressly in lieu of any other express or implied warranties including any implied warranty of merchantability or fitness for particular purpose and of any other obligation on the part of **PICKETT EQUIPMENT**.

PICKETT EQUIPMENT makes no warranties, representations or promises, express or implied as to the quality or performance of Pickett Farm Equipment other than those set forth in this warranty. Neither the dealer nor any other person has any authority to make any representations, warranties or promises on behalf of **PICKETT EQUIPMENT** or to modify the item manufactured or sold by **PICKETT EQUIPMENT** or any other time unless he delivers to the purchaser a separate written warranty specifically warranting the same, in which case **PICKETT EQUIPMENT** shall have no obligation thereunder.

PICKETT EQUIPMENT parts, which are furnished under this warranty and properly installed, shall be warranted to the same extent as the original parts under this warranty if, and only if, such parts are found to be defective within the original warranty period covering the original equipment.

No warranty request will be considered, and **PICKETT EQUIPMENT** will have no liability under this warranty, unless the Pickett Equipment Delivery Checklist and Warranty Registration Forms have been properly filled out and returned to **PICKETT EQUIPMENT**, at Burley, ID. Pickett warranty forms must be filled out with every claim. Claims must be submitted by the dealer to Pickett Equipment's home office, no later than December 1st of the year for which the claim is being made.

Warranty Disclaimers

The following conditions will void the warranty for the Row Crop Manager:

- **Removing safety shields, guards or safety instructional stickers**
- **Using tire sizes other than those standard to Pickett Equipment**
- **Not maintaining or operating equipment according to Operator's Manual specifications**
- **Operating equipment in a malicious or reckless manner**
- **Using replacement parts not of Pickett Equipment origin**
- **Making modifications to the equipment other than those recommended by Pickett Equipment**

Pickett Equipment will strive to make product improvements every year, but we cannot be responsible for making updates or additions to equipment previously sold.

1/99

PRE-DELIVERY CHECKLIST

Assemble the machine and inspect it for good running condition before delivery to the customer. Use the following checklist:

- Machine assembled correctly
- Shipping stands removed
- Machine lubricated properly (*See Lubrication Sites – pg. 12*)
- Parking stand hold pins are in place (see pg. 9)
- Decals and safety stickers intact and legible
- All hardware tight
- All hydraulic components functioning properly and free of leaks
- Hydraulic hoses positioned and strapped securely to the frame

Date Set-up

Signature

DELIVERY CHECKLIST

Review the Operator's Manual with the customer. Explain the following:

- Pickett Equipment warranty
- Tractor tire pressure
- Warranty disclaimers
- Correct machine transport procedure
- Safe and correct operation and service
- Optional attachments that are available for special crop and operating conditions
- Tractor wheel adjustment, to ensure that the tractor does not run on the row (*See your tractor's manual*)
- Operator's Manual and Parts Listings
- Daily and periodic inspections
- Warranty registration including registrations of unit serial number
- Correct machine servicing and maintenance
- Warranty Registration and return to Pickett Equipment

Date Checked

Signature

AFTER SALE CHECKLIST

AFTER SALE CHECKLIST: DEALER / CUSTOMER

It is suggested that the following items be completed and then checked sometime prior to operation.

- Inspect for loose or missing bolts.
- Ensure that all safety shields and all safety stickers are in place.
- Check to ensure that decals are intact and legible.
- Inspect for broken or damaged parts.
- If possible, run the machine to see if it is functioning properly.
- Review the entire Operator's Manual with the customer and stress the importance of correct and regular lubrication as well as safety precautions.

Date Checked

Signature

SAFETY STICKERS

! WARNING



CRUSHING HAZARD

To prevent serious injury or death:

- DO NOT RIDE ON MACHINE AT ANY TIME.
- GAUGE WHEEL STAND HOLD PINS MUST BE IN PLACE WHILE CONNECTING OR UN-CONNECTING FROM TRACTOR.
- DO NOT WORK BENEATH MACHINE WHILE IN RAISED POSITION.

! WARNING



OVERHEAD HAZARD

To prevent serious injury or death:

- Stay away from beneath the wings when they are in the raised position or are being lowered.
- Keep others away.

! DANGER !

KEEP AWAY! • NO RIDERS

- ENTANGLEMENT WITH ROTATING DRIVE PARTS OR FALLING OFF CAN CAUSE INJURY OR DEATH.
- KEEP ALL DRIVE SHIELDS & GUARDS IN PLACE AND IN GOOD CONDITION.



! PELIGRO !

MANTENGASE RETIRADO Y NO SE SUBA AL IMPLEMENTO O MAQUINA

- ROTORES, CADENAS Y FLECHAS EN MOVIMIENTO PUEDEN CAUSAR HERIDAS O LA MUERTE.
- MANTENGA GUARDAS Y LAMINAS DE PROTECCION EN SU LUGAR Y EN BUENAS CONDICIONES.

SAFETY

FOLLOW SAFETY INSTRUCTIONS

Carefully read all safety messages in this manual and safety signs on your machine. Maintain safety signs in good condition. Replace missing or damaged safety signs.

Learn how to operate the machine and how to use the controls properly. Do not let anyone operate the machine without instruction.

Keep your machine in proper working condition. Unauthorized modifications to the machine may impair the function and/or safety of the machine and affect machine life.



UNDERSTAND SIGNAL WORDS

A signal word - DANGER, WARNING, or CAUTION - is used with each safety-alert symbol. DANGER identifies the most serious hazards.

Safety signs with the signal word DANGER or WARNING are typically near specific hazards.

General precautions are listed on CAUTION safety signs. CAUTION also calls attention to safety messages in this manual.

DANGER

WARNING

CAUTION

RECOGNIZE SAFETY INFORMATION

This is the safety-alert symbol. When you see this symbol on your machine or in this manual, be alert to the potential for personal injury.

Follow recommended precautions and safe operating practices.



SAFETY

OPERATE SAFELY

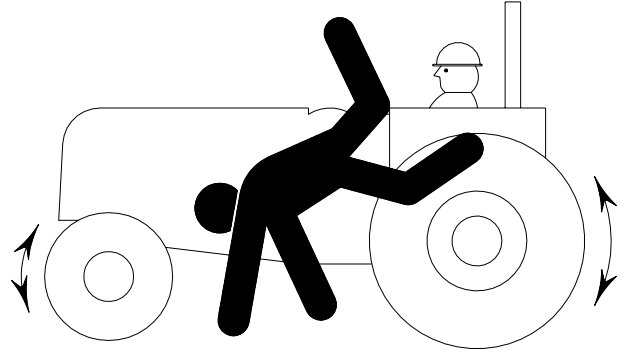
Never ride or permit others to ride on the machine.

Stay clear of ditches or creeks during operation.

Always lower machine to ground when not in use.

Always have tractor stopped on level ground when working around machine.

Always shut off tractor and shift to "Park" or set brakes when leaving tractor.



REMOVE PAINT BEFORE WELDING OR HEATING

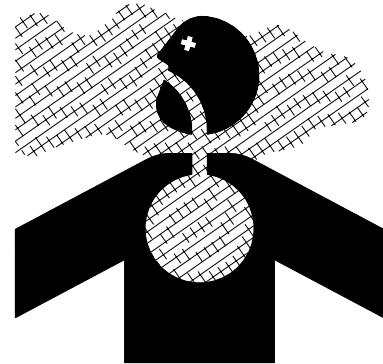
Avoid potentially toxic fumes and dust.

Hazardous fumes can be generated when paint is heated by welding, soldering, or using a torch.

Do all work outside or in a well ventilated area.
Dispose of paint and solvent properly.

Remove paint before welding or heating:

- If you sand or grind paint, avoid breathing the dust. Wear an approved respirator.
- If you use solvent or paint stripper, remove stripper with soap and water before welding. Remove solvent or paint stripper containers and other flammable material from the area. Allow fumes to disperse at least 15 minutes before welding or heating.



SAFETY

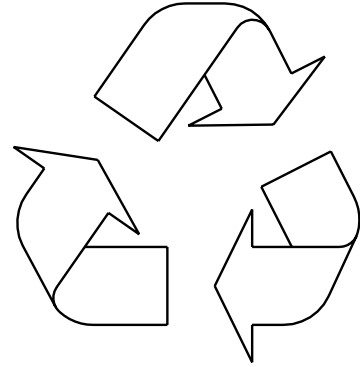
DISPOSE OF WASTE PROPERLY

Improperly disposing of waste can threaten the environment and ecology. Potentially harmful waste used with equipment include such items as: oil, fuel, coolant, brake fluid, filters and batteries.

Use leakproof containers when draining fluids. Do not use food or beverage containers that may mislead someone into drinking from them.

Do not pour waste onto the ground, down a drain, or into any water source.

Inquire on the proper way to recycle or dispose of waste from your local environmental or recycling center, or from your dealer.



WEAR PROTECTIVE CLOTHING

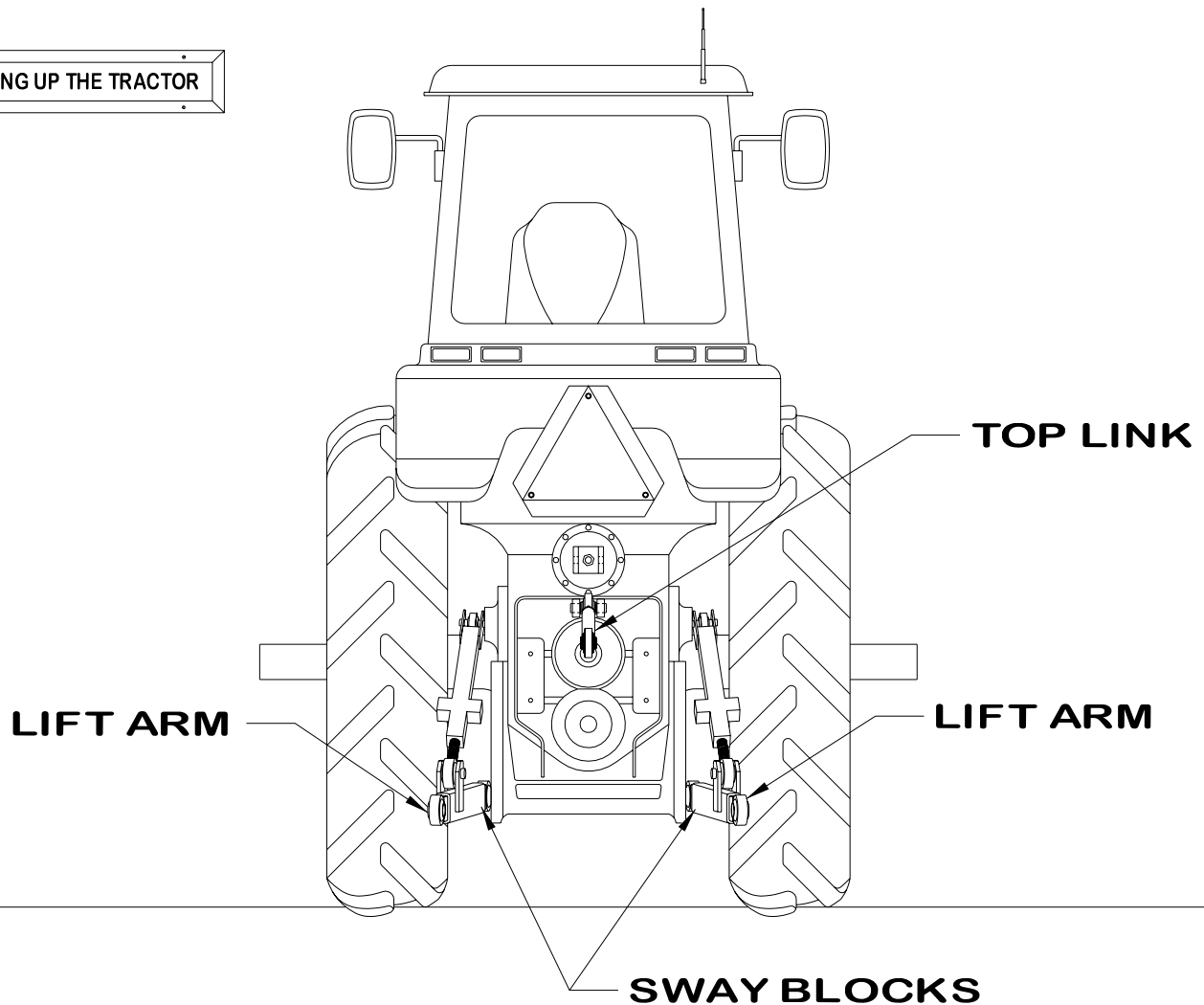
Wear close fitting clothing and safety equipment appropriate to the job.

Protective clothing may include; hard hat, dust mask, safety goggles, hearing protection, face shield, gloves and boots.



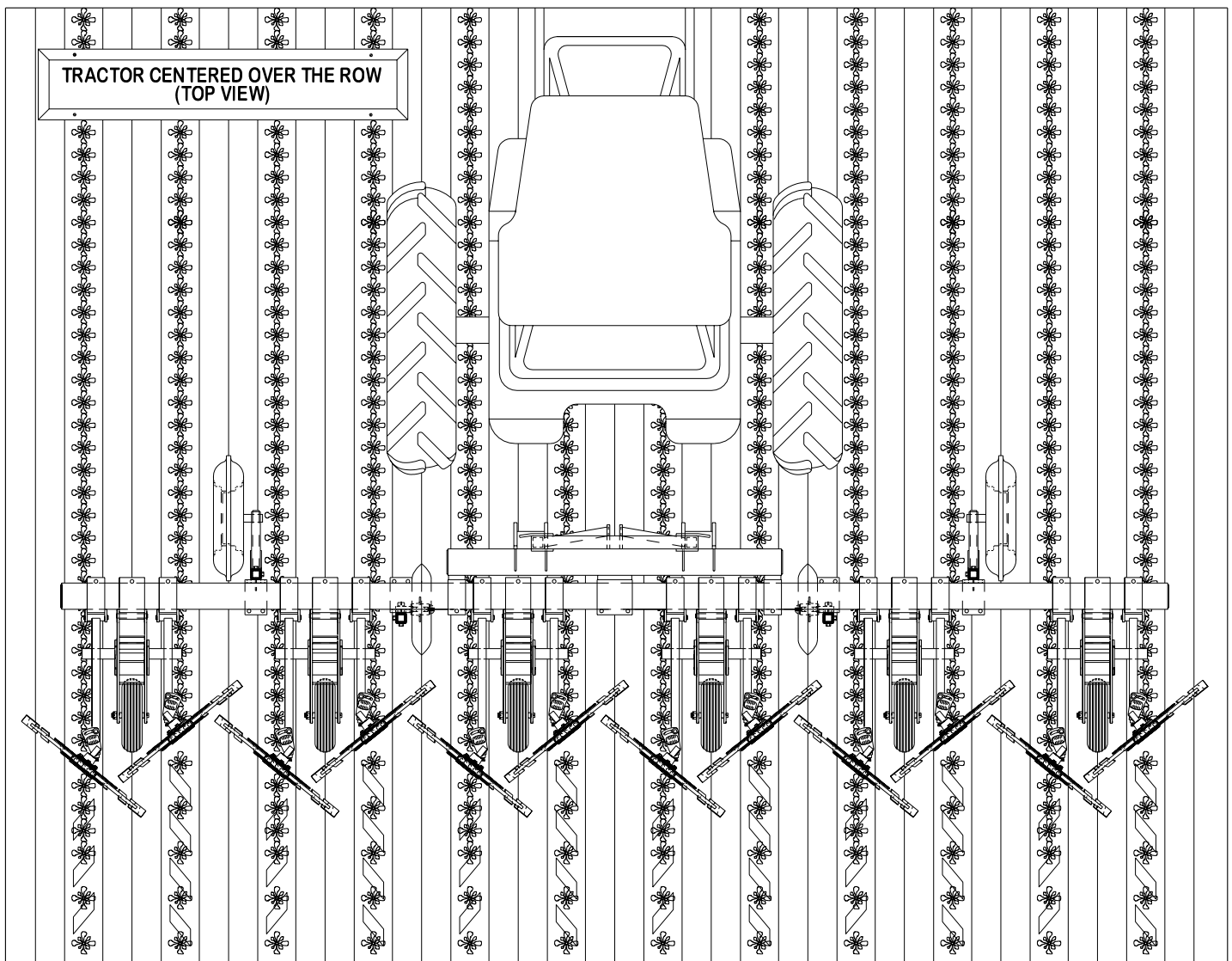
NOTES

SETTING UP THE TRACTOR



Setting up the Tractor

- ▲ The tractor top link should be in good working order, allowing easy adjustment.
- ▲ Lift arms need to be at the same height from the ground so the tool bar is held level during operation.
- ▲ Sway blocks may be added if side to side travel needs to be minimized.
- ▲ Pressure in the rear tires should be the same to keep the tractor level.
- ▲ Check the tractor draw bar, so it won't interfere with the Row Crop Manager operation.
- ▲ Make sure top 3rd link is hooked up parallel to the ground when the machine is in working conditions.



Tractor centered over the row

- ▲ Tractor needs to be centered between the rows.
- ▲ There should be guide marks, made by the cultivator, for the single rib tires or V-guide tires to follow, allowing the machine to stay centered on the rows.
- ▲ If the entire machine is off center, first adjust tires to achieve the proper row centering.
- ▲ If individual row modules are off, adjust them accordingly. This procedure is explained on page 3.

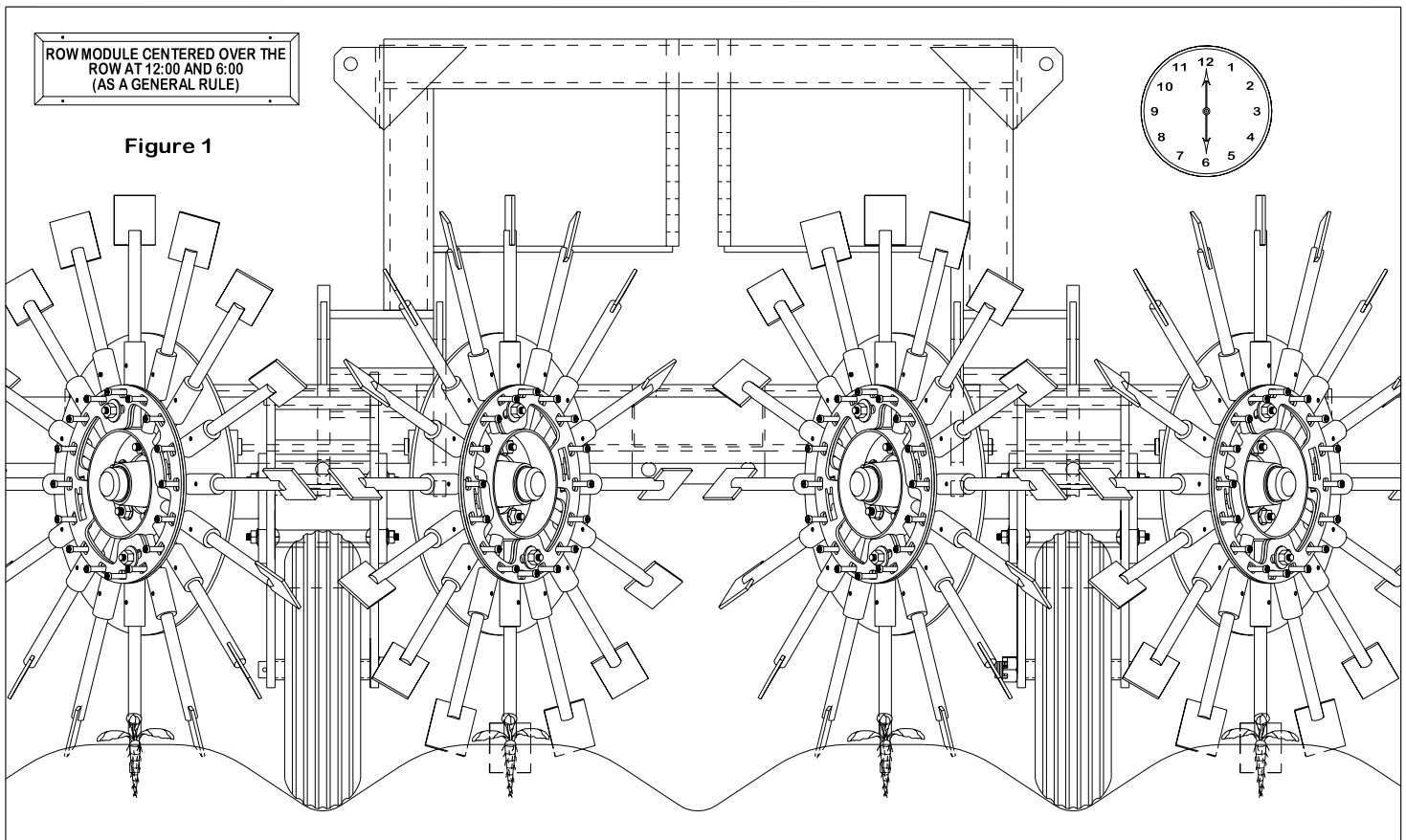


Figure 1

Module centered at 12:00 and 6:00

- ▲ The row module should be rotated so that one blade is straight upward at 12:00 o'clock and the opposite blade is straight downward at 6:00 o'clock. With the row module in this position the bottom blade should be centered directly over the row for maximum travel in the row. Figure 1.
- ▲ Each module should be set in this manner when the crop is small. When the crop is big, with a heavier leaf canopy the module can be moved away from the row an 1" to 1-1/2" so the crop is taken out on the up swing of the module, thus causing less wrapping.
- ▲ The module can be moved in either direction along the main bar by loosening the clamp bolts, making the adjustment and retightening the bolts. Figure 2.

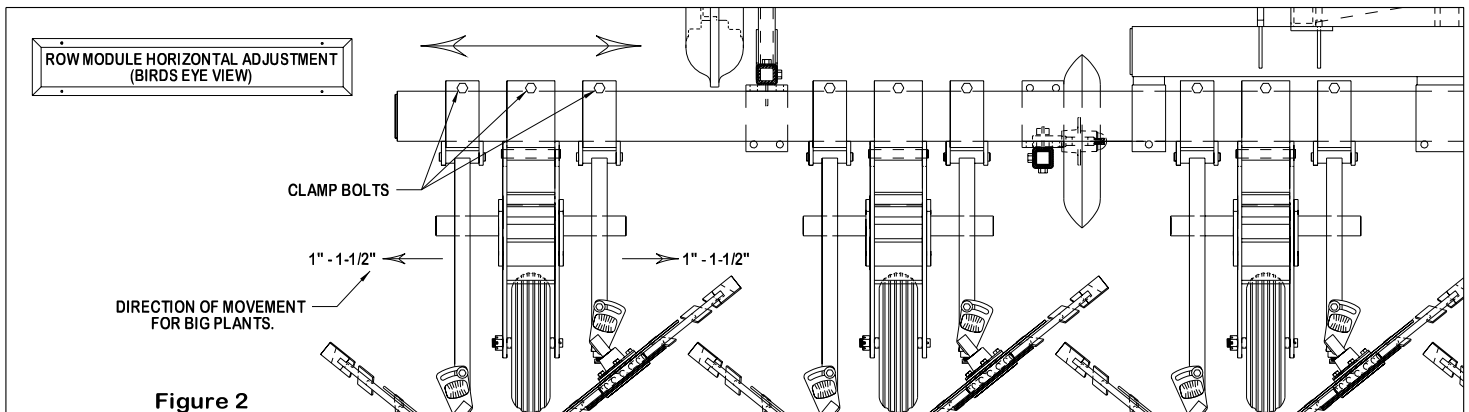
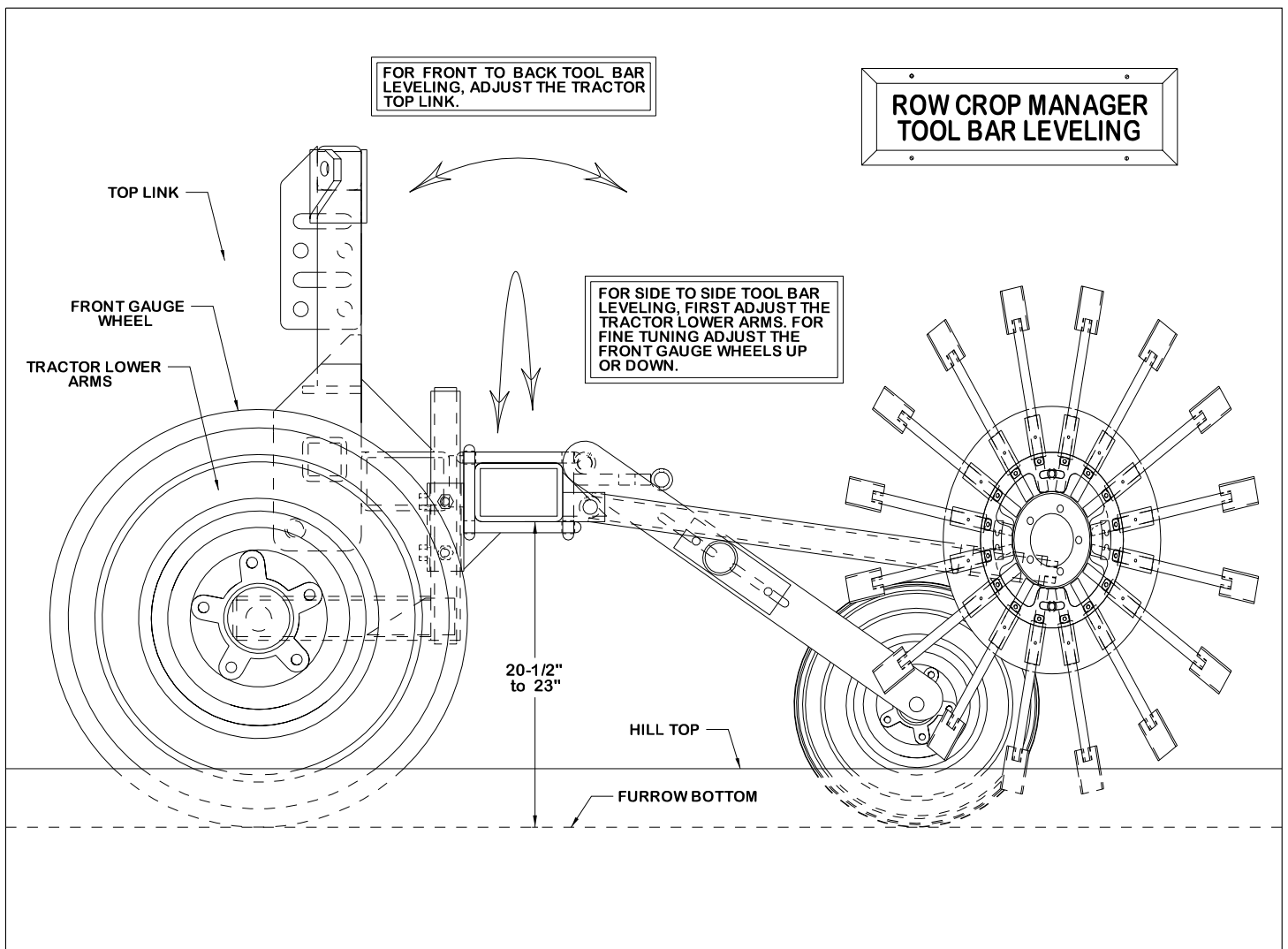
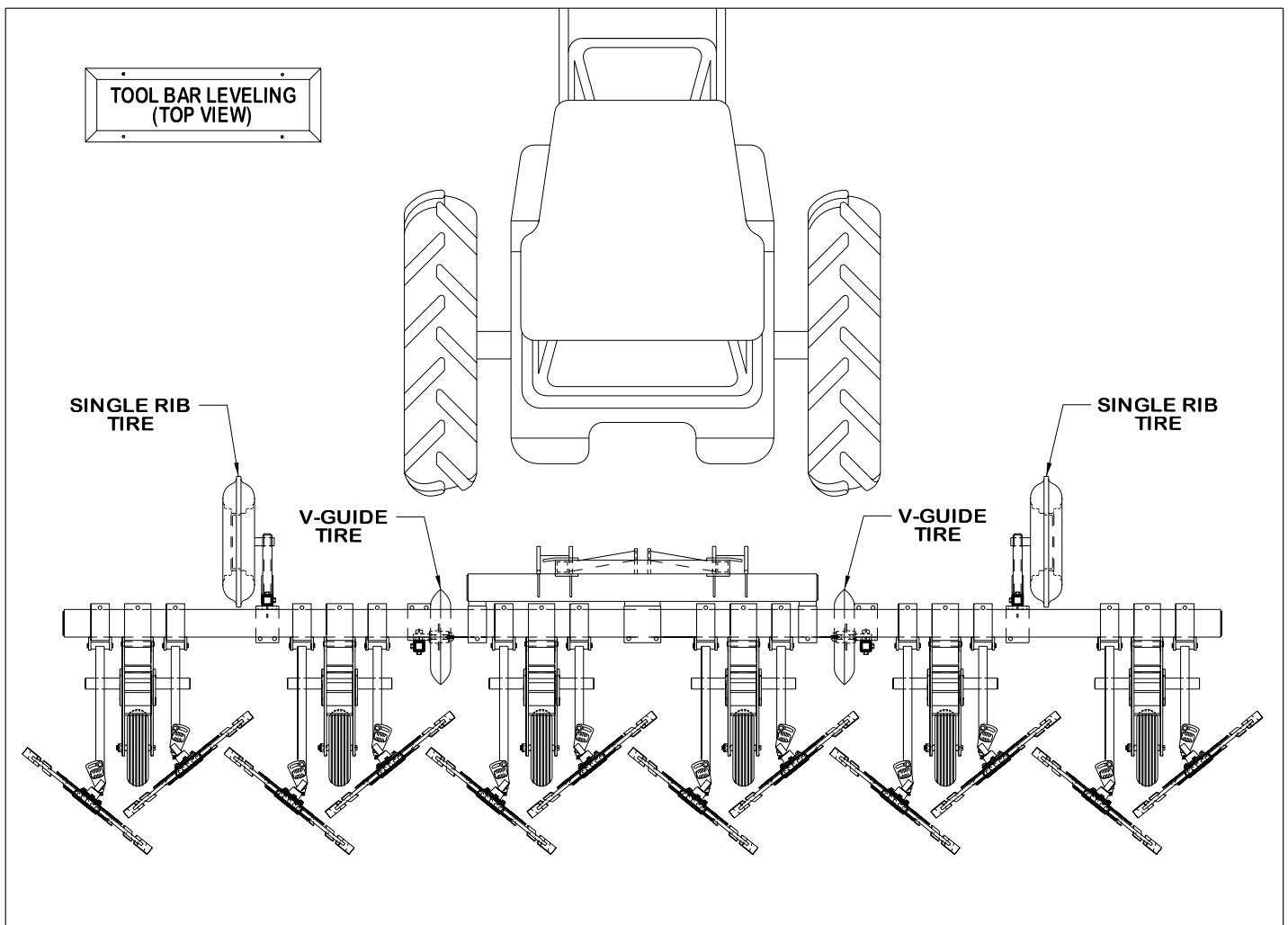


Figure 2



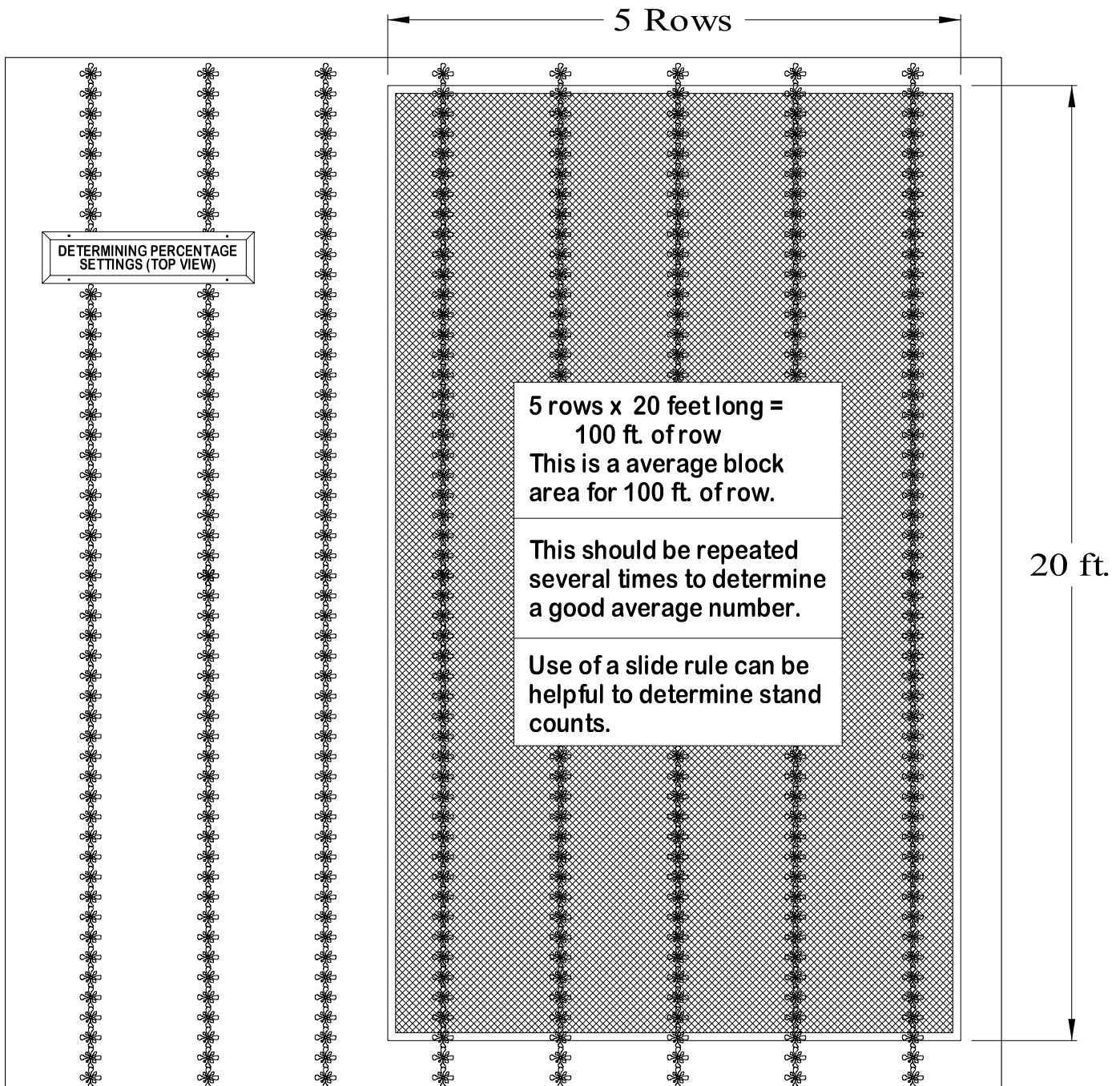
Tool Bar Leveling

- ▲ The tool bar should be horizontally level and vertically plumb by using the top link and lift arms.
- ▲ Tool bar height ranges from 16" to 21" from furrow bottom.
- ▲ Single rib gauge wheels should be adjusted according to bed height and field conditions.
- ▲ By raising single rib tires, this lowers the main tool bar which in turn raises the row module.
- ▲ By lowering single rib tires, this raises the main tool bar which in turn lowers the row module.



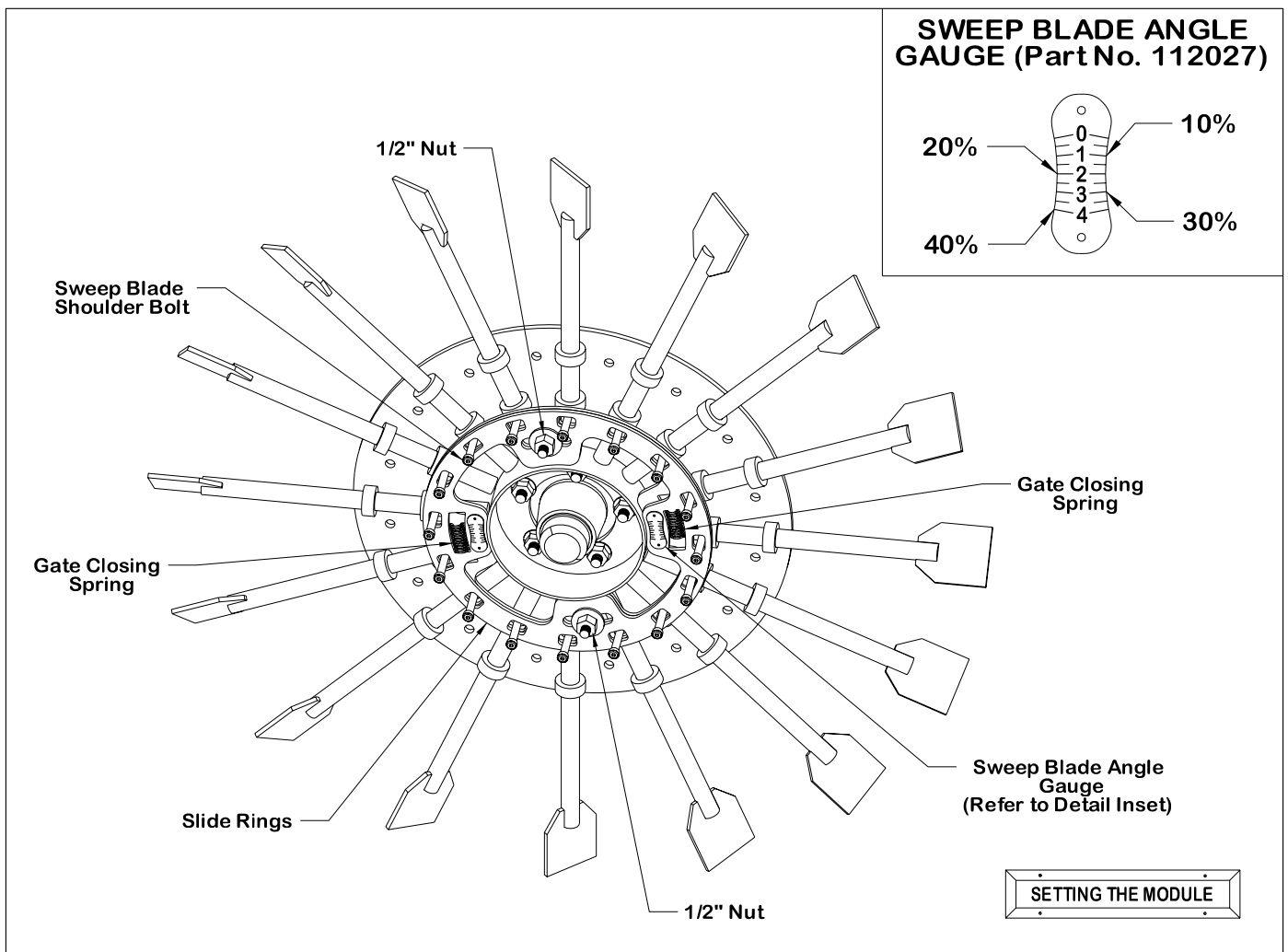
Tool Bar Leveling (Top View)

- ▲ Tractor top link is used to vertically plumb the tool bar, and should be hooked up so as to be as parallel to the ground as possible.
- ▲ The machine should travel with all the weight resting on the Single Rib and V-Guide Tires.
- ▲ The lift arms should be the same length allowing the machine to travel straight and square behind the tractor.
- ▲ The marks in between the rows should keep the machine centered on the rows.



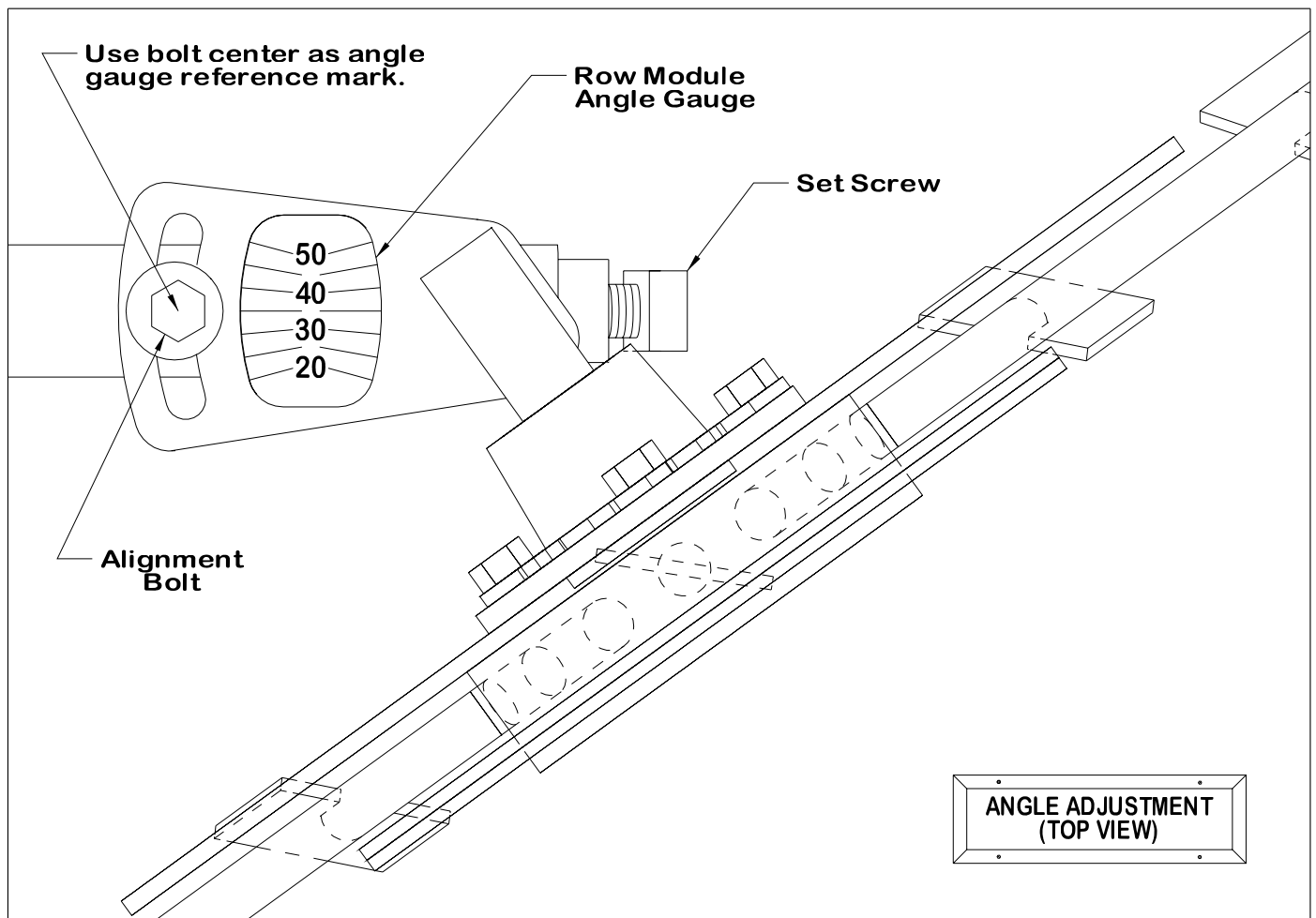
Determining Percentage Settings

- ▲ Stand counts should be taken before operation, especially when thinning is desired.
- ▲ Before setting the machine, we first need to know the numbers of plants per 100 ft. of row in the existing stand by field average.
- ▲ Take enough stand-counts across the field in order to determine a good average number that exists in the field or in the area to be worked.
- ▲ You can now determine by percentage the amount of crop needing to be removed, if any.
- ▲ Using the percentage number, now set the modules, see pg. 7.



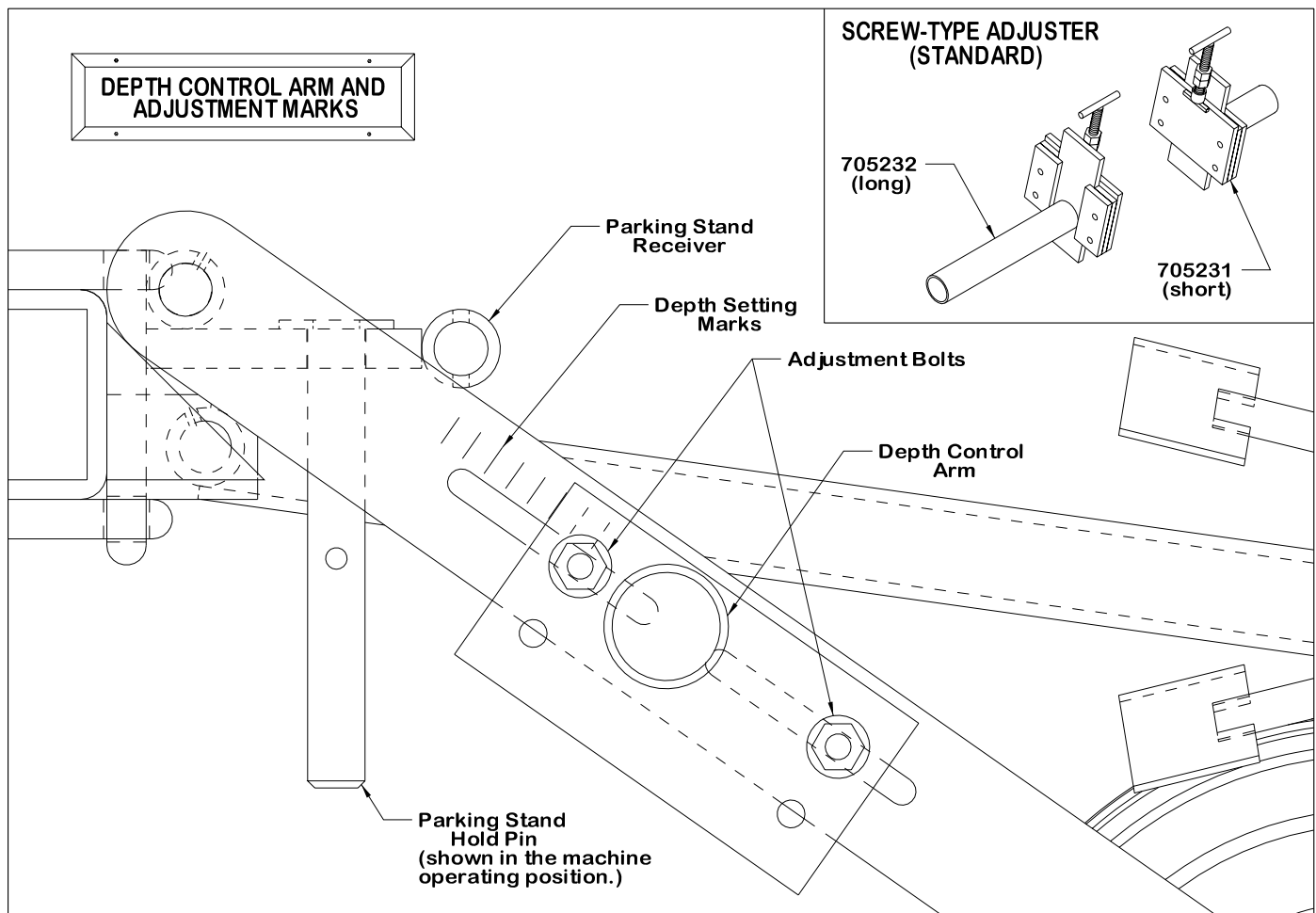
Setting the Module

- ▲ On each module there are two 1/2" nuts that tighten to secure the slide ring mechanism.
- ▲ Loosen these 2 nuts, 1 full turn, to release slide rings. (You may need to break the paint, to free-up the rings)
- ▲ The gauge labeled 0 to 4 represents 0% through 40% of the soil to be cut through at the certain setting. This is the percentage of soil that will be cut through in any given length of the row, not necessarily the amount of crop removed. Because of varying conditions, a post operation stand count is necessary.
- ▲ You must raise the modules out of the soil to achieve percentage adjustments needed.
- ▲ The spring closes the gate to help secure the blades at the desired setting.



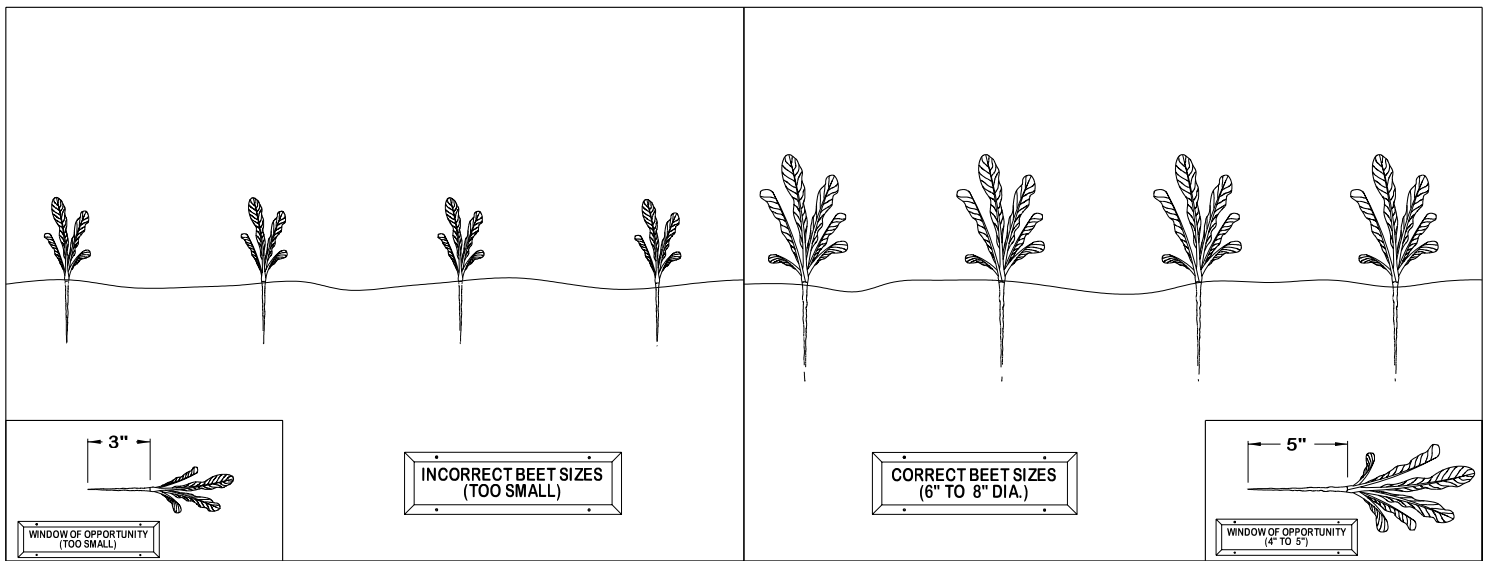
Angle Adjustment

- ▲ This gauge represents degrees of angle.
- ▲ This setting fine tunes crop removal and, primarily affects soil aggression, cultivation and aeration.
- ▲ 50 degrees is the most aggressive angle for more soil agitation, crust shatter & weeding.
- ▲ 50 degrees gives the longest cut through the row.
- ▲ 20 degrees is the other extreme, shortest cut & less aggressive, module turns slightly faster. The 20 degree setting also makes much less of a forward angle cut through the row and is closer to a straight across the row cut, with more frequent cuts.
- ▲ This adjustment is made as a "fine tune" to the desired result after blade percentage setting is made. It is held in place by a bolt and a set screw.



Depth Control Arm

- ▲ There is a Depth Control Arm for each module. This is the standard feature. An optional screw-type adjuster is available.
- ▲ Depth Control Arm limits module depth, allows free upward travel.
- ▲ By loosening the two bolts, the arm slides upward or downward in the slot in the direction needed.
- ▲ Deeper cuts gives more soil agitation.
- ▲ The narrower blade percentage setting usually requires a deeper cut for best soil agitation.
- ▲ Depth Arm can be reversed for more vertical adjustments.
- ▲ Operating range is usually from 1-3 inches deep. The usual average depth is 1" - 1-1/2".

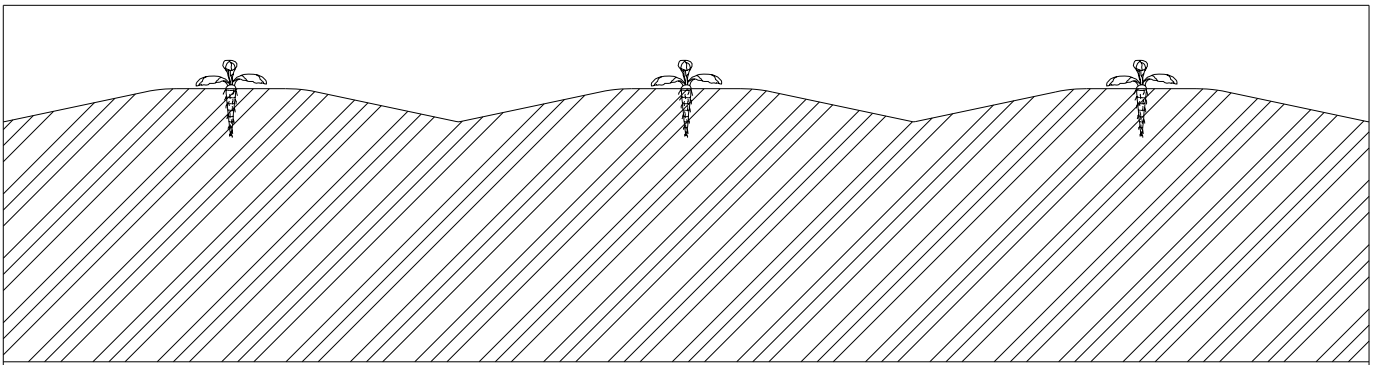


Plant size

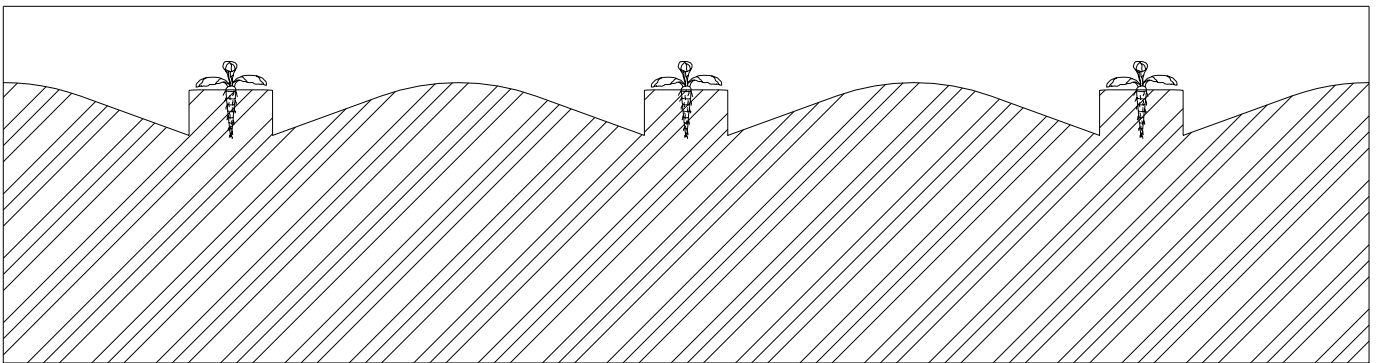
- ▲ The right size of the crop is important for best results. The size of the crop should be big enough to have an established root system, which allows the plant to remain attached in the soil when the blades pass through the row, thus shattering little weeds.
- ▲ The principle this machine works with, is the crop needs to be larger than the weeds to be taken out. This timing allows the crop to stay in the row and the small weeds to be shattered out. The adjustable module makes this possible.
- ▲ Less time is required making changes during field operating as depth is less of a critical issue.
- ▲ Easier to obtain the desired results.
- ▲ Operating in too small of crops, is not recommended.

Window of opportunity

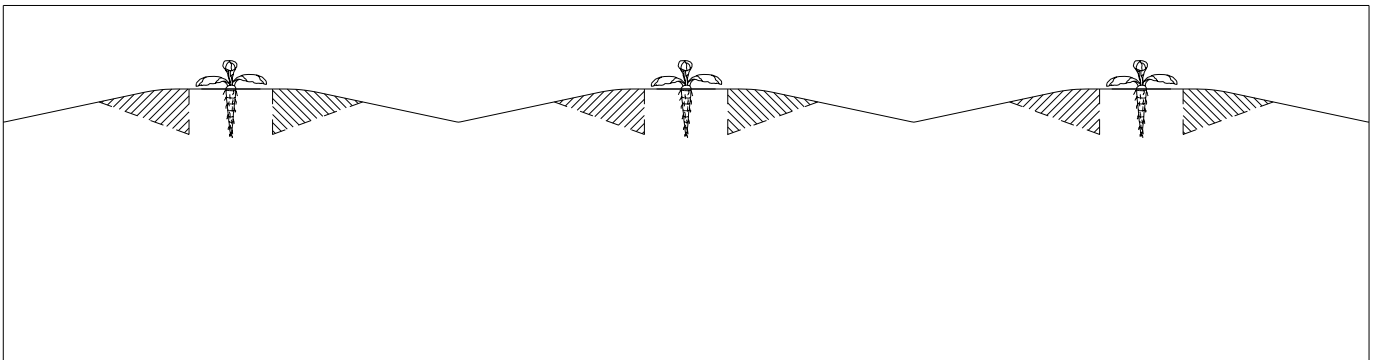
- ▲ There is a wide "window" of time where this machine will work effectively, beginning when the root system is substantial enough to hold the crop in the soil and the weeds are small.
- ▲ As the crop gets bigger speed of travel can be increased without heaving crop plants. Higher speed allows better soil agitation helping to remove small weeds.
- ▲ With larger size crop plants it takes a direct blade hit to remove the plants.



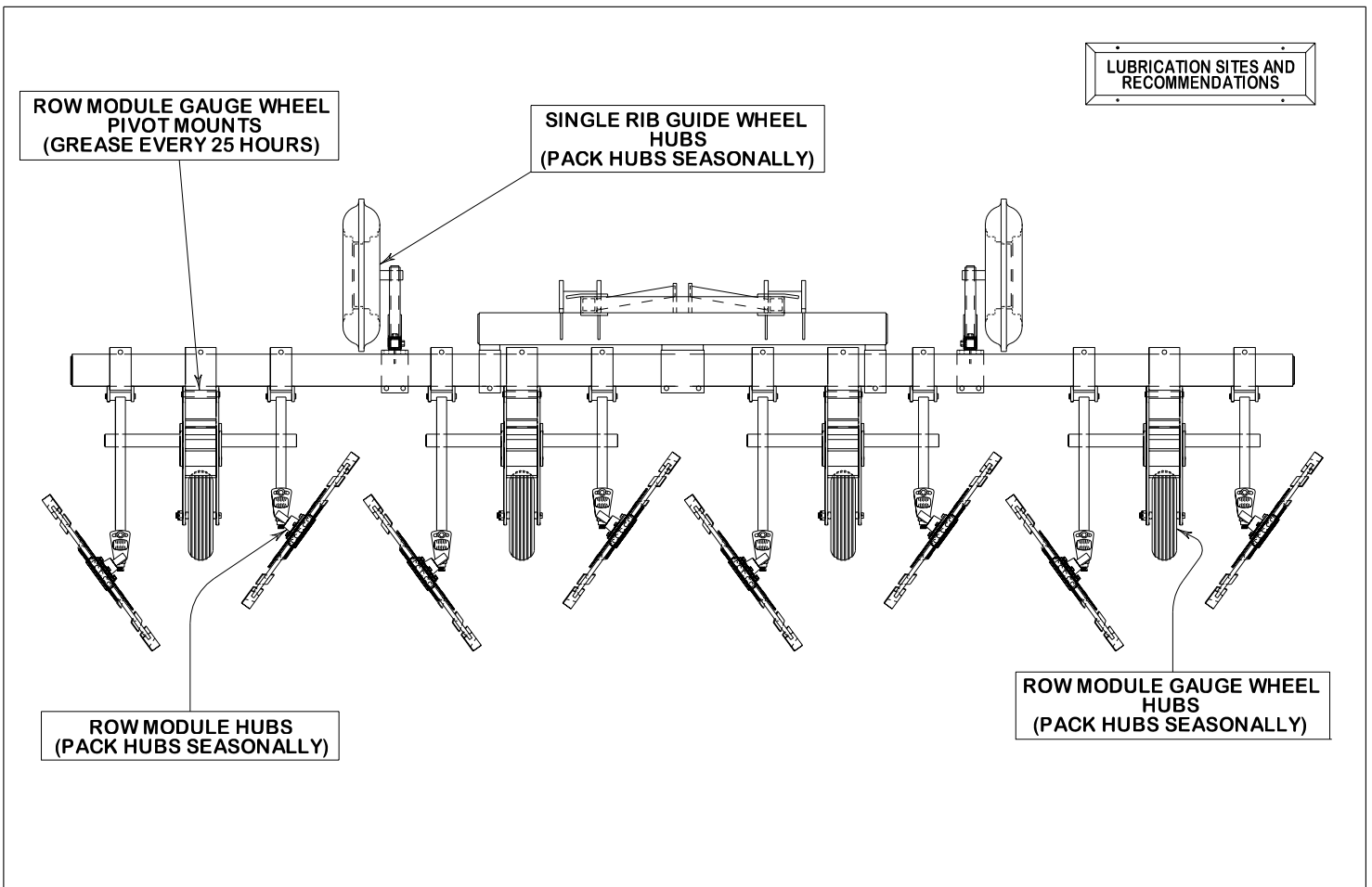
THE PROPER CULTIVATION TECHNIQUES ARE VERY NECESSARY TO INSURE THE EASE OF OPERATION OF THE ROW CROP MANAGER.



THE CUTAWAY DISCS MAY LEAVE A CONTINUOUS RIBBON OF SOIL, THIS RIBBON SHOULD NOT BE LEFT EXPOSED, AS SHOWN. THIS NARROW BAND OF SOIL MAY BE TIPPED OVER IN LARGE CHUNKS BY THE CROP MANAGER, UPROOTING AN EXCESSIVE NUMBER OF CROP PLANTS.

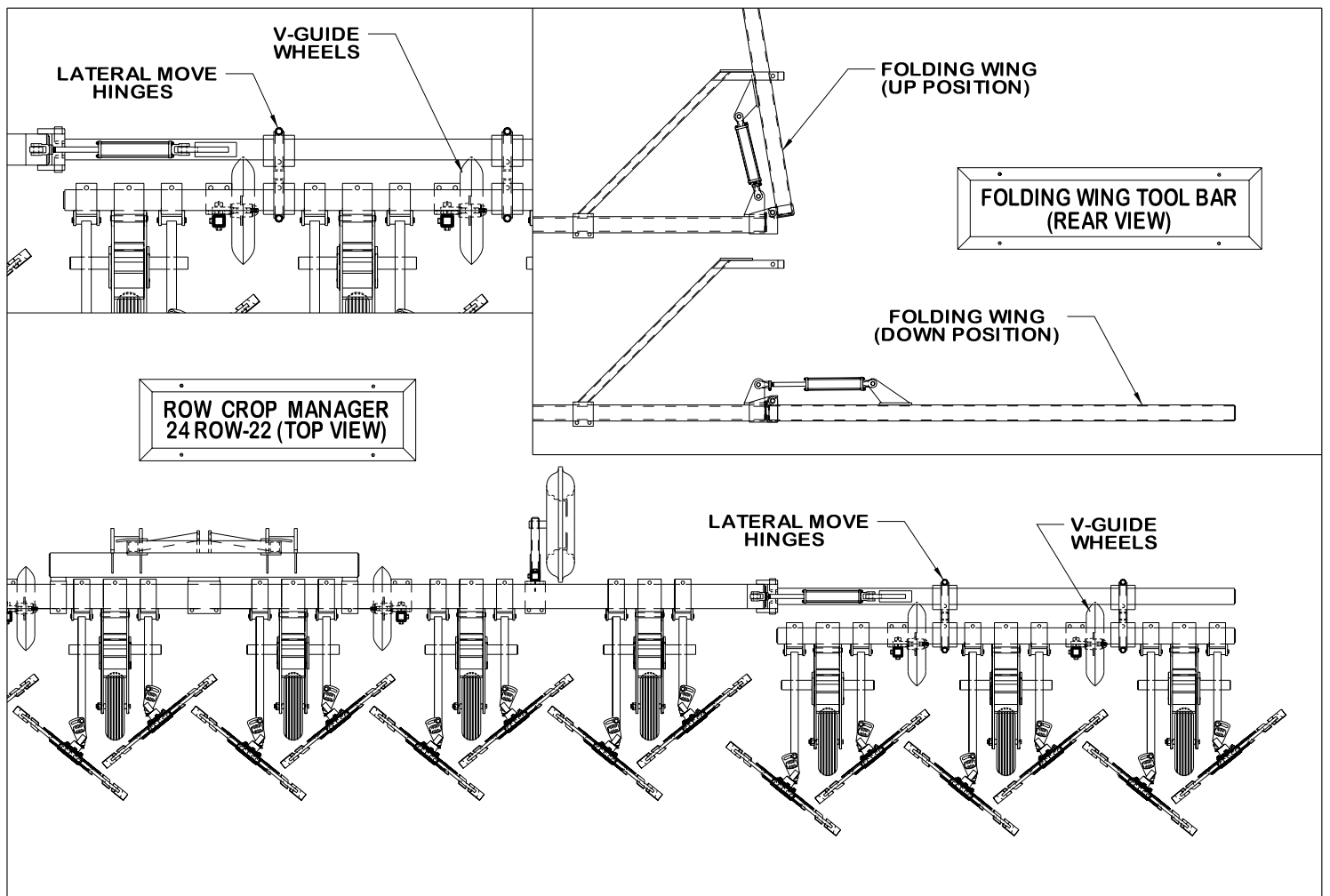


THE CUTAWAY DISC MARKS SHOULD BE FILLED BACK IN. AT THE SAME TIME A CENTER GUIDE MARK BETWEEN THE ROWS SHOULD BE MADE TO AID IN GUIDING THE ROW CROP MANAGER.



Lubrication Sites

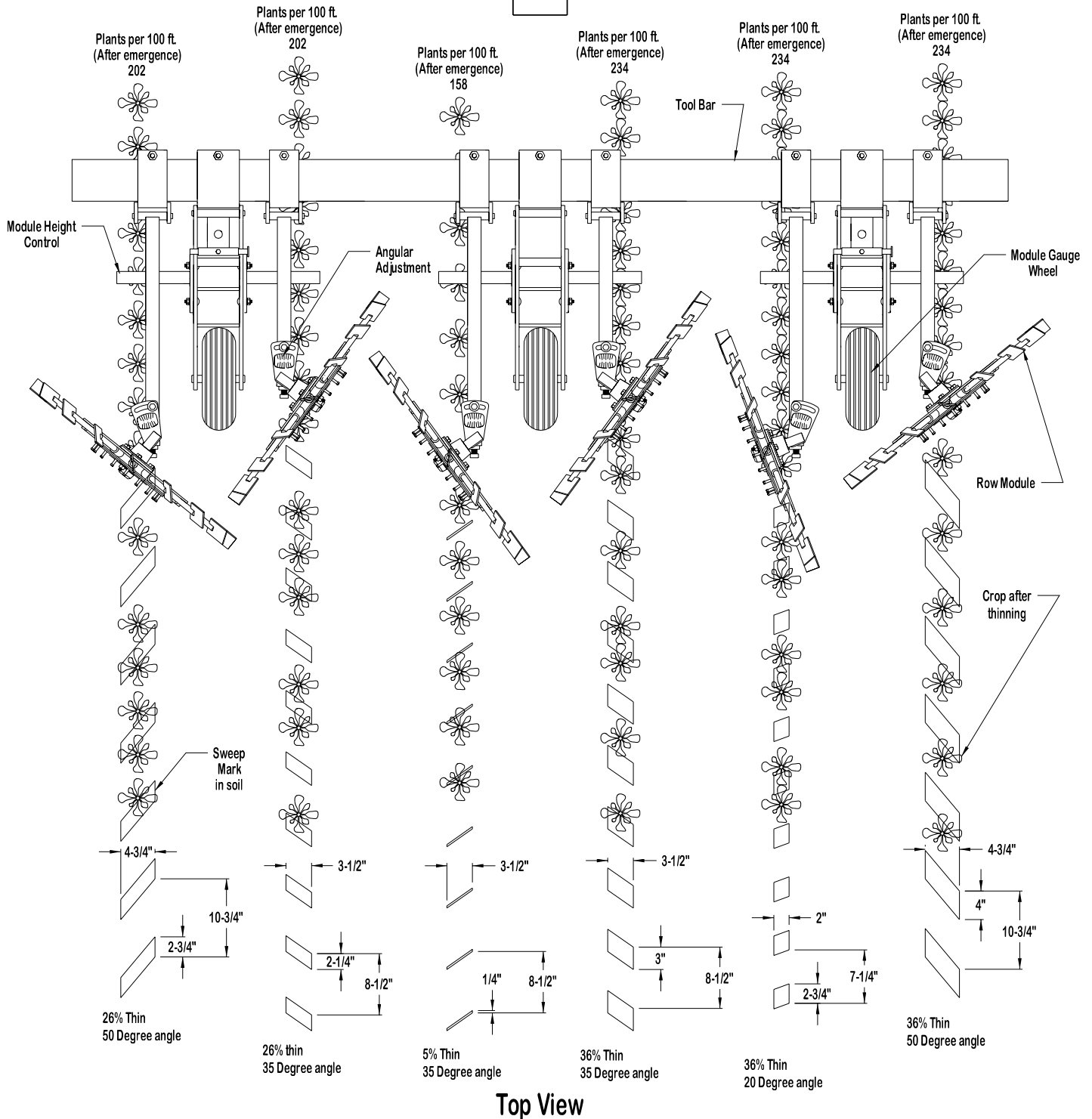
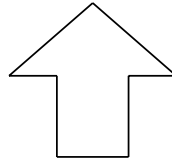
- ▲ Single Rib Guide Wheel Hubs--Pack hubs seasonally.
- ▲ Row Module Hubs--Pack hubs seasonally.
- ▲ Row Module Gauge Wheel Hubs--Pack hubs seasonally.



Lateral Move and Guide Tires

- ▲ The lateral move hinges are designed to compensate for straddling a guess row, allowing the operator to cover more rows each pass than were planted.
- ▲ The v-guide wheels are required to keep the lateral wings following on the rows.
- ▲ The v-guide wheels need to follow in a shank mark made by the cultivator.

Direction of Travel

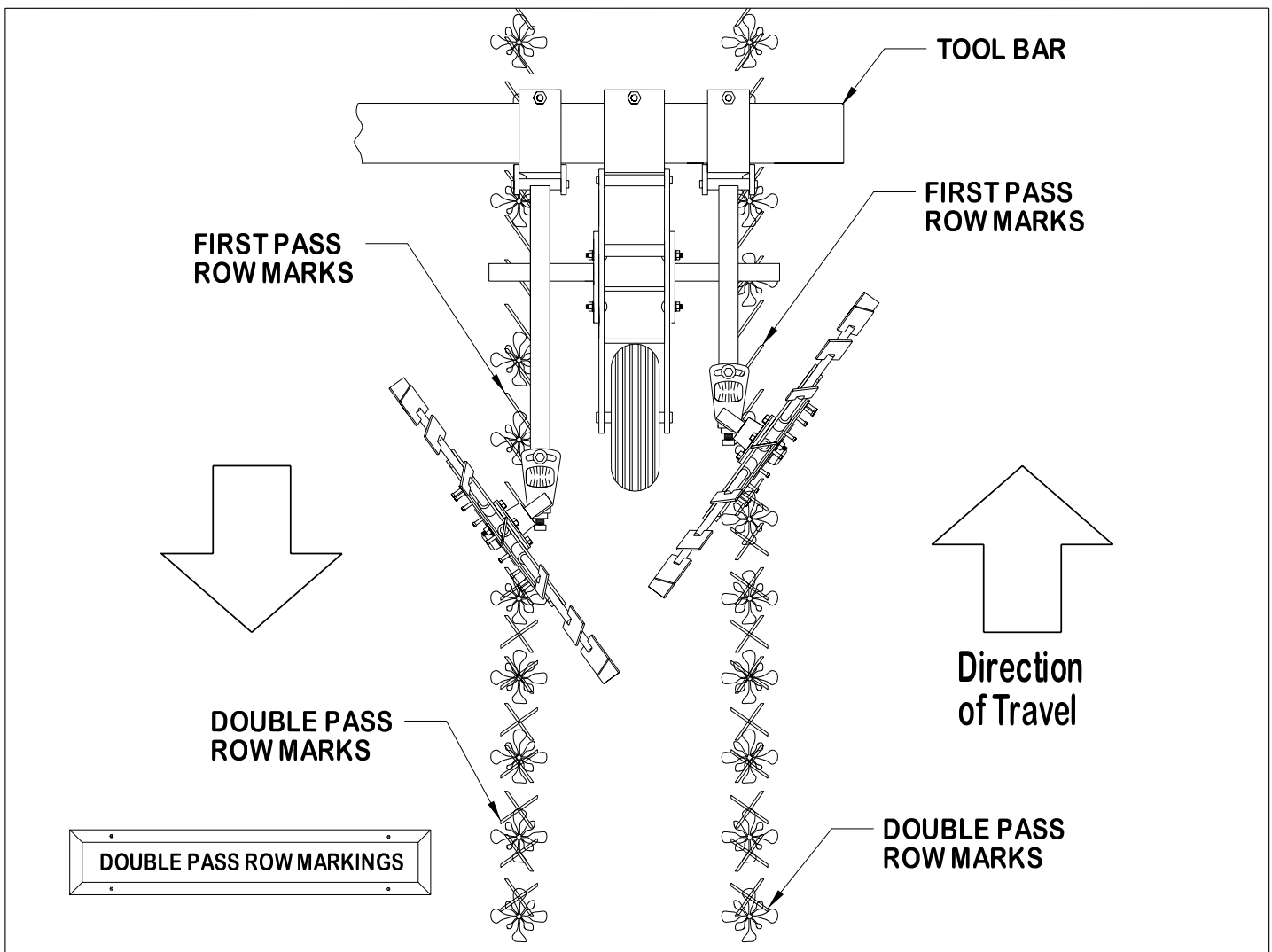


****THIS DIAGRAM REPRESENTS VARIOUS QUICK-SET MODULE SETTINGS. THE TARGET STAND COUNT (POST THIN) DEPICTED IS 150 PLANTS PER 100 FEET OF ROW.**

****THIS DIAGRAM ILLUSTRATES THE VARIATIONS OF ADJUSTMENTS;**

FROM A NARROW CUT TO A WIDE CUT

FROM A SHORT CUT TO A LONG CUT



Double pass row markings

- ▲ A Double Pass can be made for improved results in thinning and an even greater benefit in removing more small weeds.
- ▲ If a Double Pass is desired for better cultivation, in the row, the percentage gauge needs to be set lower for the first pass, then set for correct crop stand numbers on the second pass.
- ▲ Several variations of settings can be used on a Double Pass operation to achieve the desired results, depending on the growers preferences.

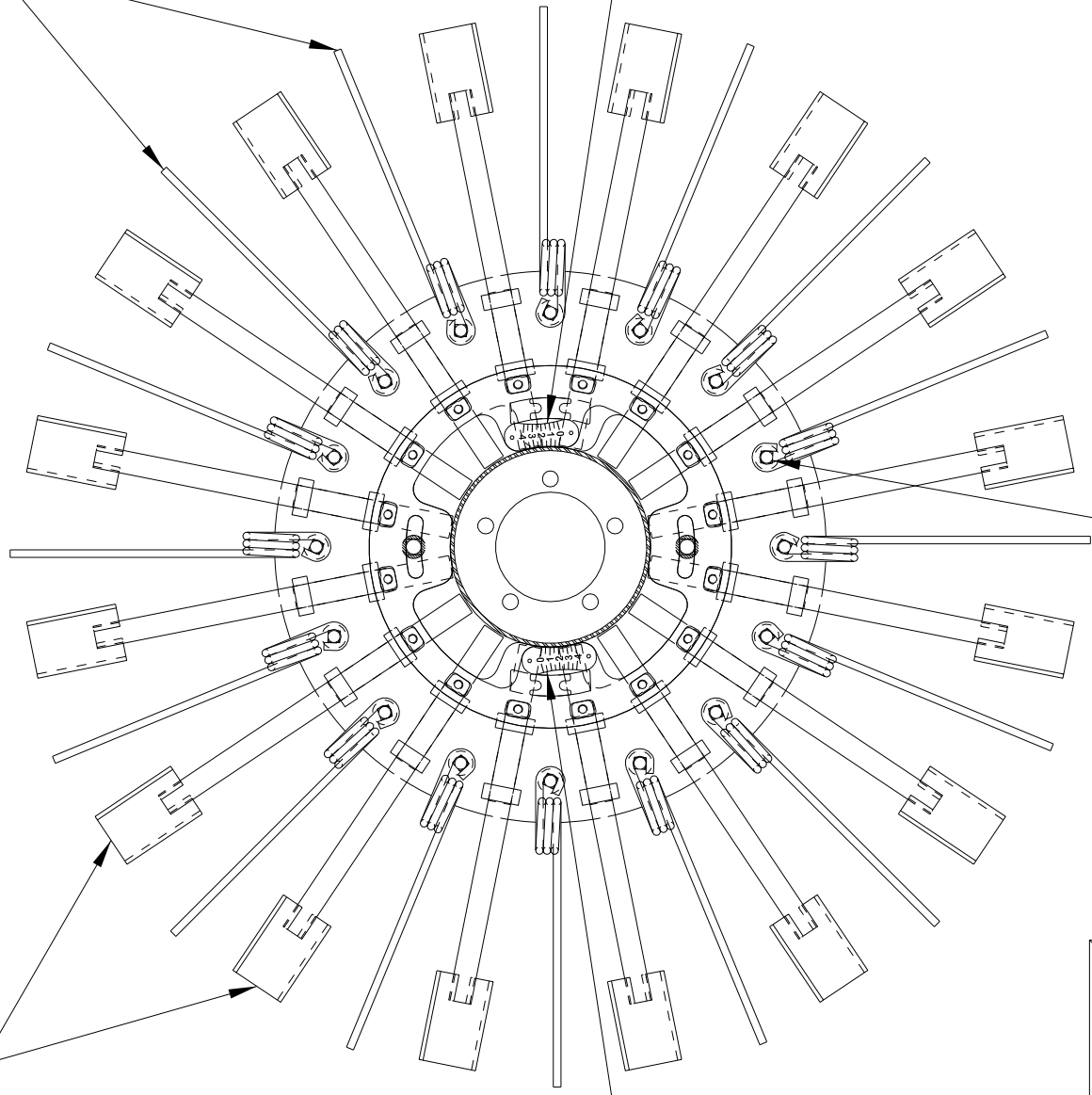
Spring Tines

Sweep Blade
Percentage
Gauge

Adjustable Blades

Sweep Blade
Percentage
Gauge

Spring Tine
Fastener

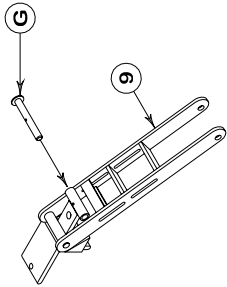


THE SPRING TINE IN-ROW
CULTIVATING MODULE

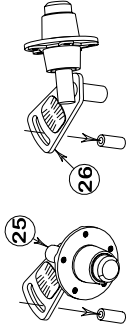
The Spring Tine Cultivating Option

- ▲ The addition of the spring tine to the module, in between each blade arm in the designated holes for the spring tine, will allow the module to do the cultivating in the crop row without thinning.
- ▲ There are 16 tines added to a 16 blade module and 22 tines added to a 22 blade module.
- ▲ The spring tines should be centered between the blades and the fasteners securely tightened.
- ▲ The addition of the spring tine allows a unique in-row cultivating action. The blades positively cut through the row and the tines shatter those remaining areas of crust between the blades. This soil action causes a higher percentage of small weeds to be shattered out of the row, keeping in mind the principle explained on page 10, of the crop size needing to be larger than the weed size for this to be the ideal working condition for speed and depth of operation.
- ▲ When crop plants need to be cultivated at a young and tender stage for weed control, then the module blade depth and speed of operation become more critical. Smaller crop sizes will require more shallow operating depths and slower row speed for preserving the crop and removing as many weeds as possible. With the addition of the screw-type depth control (page no.9), depth changes can be made quick and easy in these conditions. Simply loosen the locknut, turn the screw adjuster to desired depth. then retighten the locknut
- ▲ When cultivating without needing to thin the crop, the module adjustment needs to be set close to the 0% setting. As the percentage number is increased on the module setting, the cut through the row widens and the percent of the crop removed goes up. the correct setting is important to achieve the desired results. It is beneficial for cultivating purposes to make as wide a cut as possible for optimal soil agitation, while preserving the crop stand count.
- ▲ In heavy weed population conditions, a double pass (page 15) in opposite directions at a low percentage setting, may be necessary. The Row Crop Manager, when set up properly, utilizing correct settings and speeds, will preserve the crop while removing small weeds.
- ▲ These instructions are in reference with the illustration on page 16.

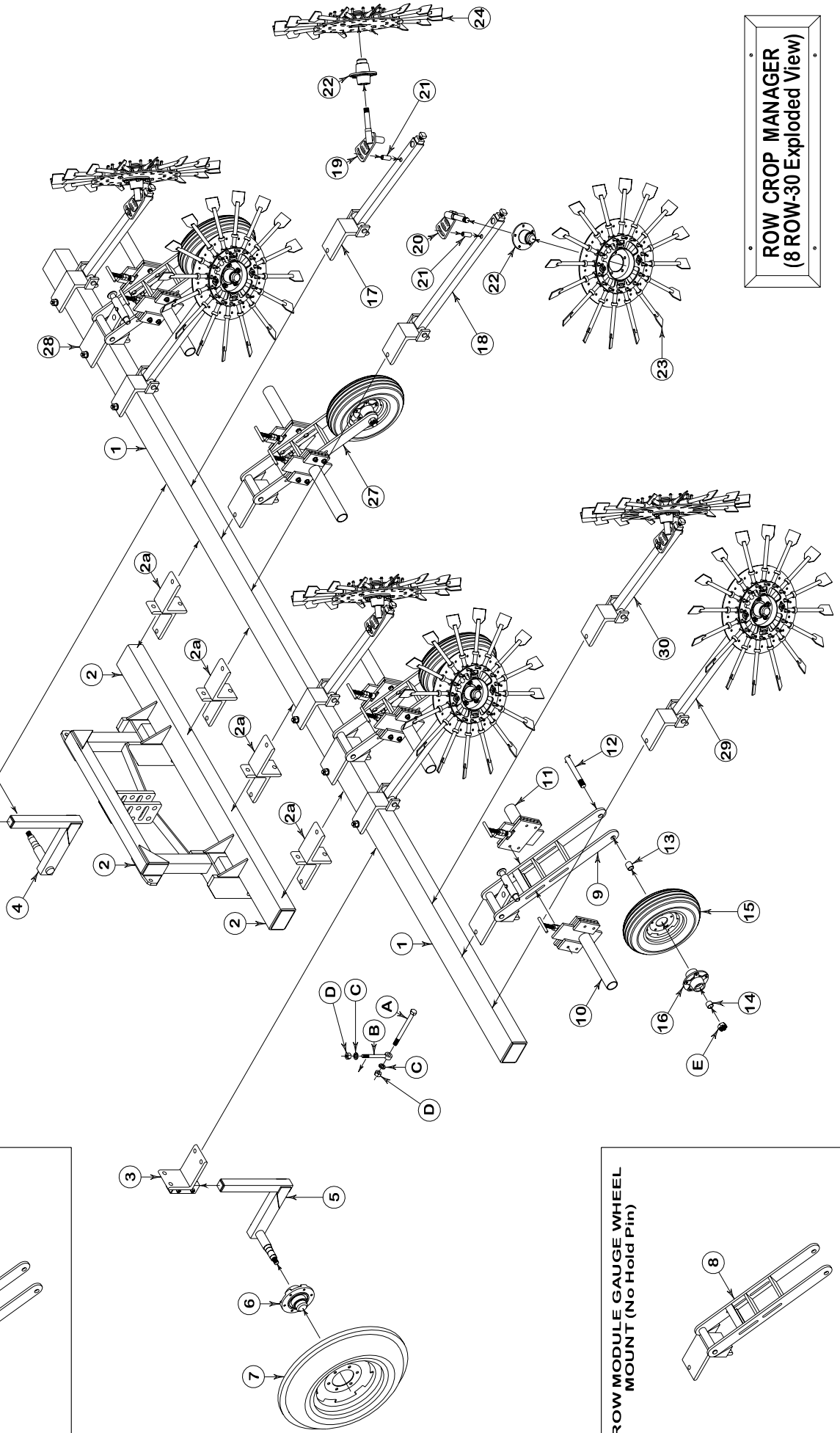
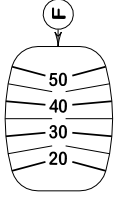
ROW MODULE GAUGE WHEEL MOUNT (With Hold Pin)



COMPLETE ROW MODULE SPINDLE MOUNT ASSEMBLIES (Part No.'s 705135 & 705134)



ROW MODULE ANGLE GAUGE (Part No. 112028)



ROW CROP MANAGER (8 ROW-30 Exploded View)

Complete Parts Breakdown—(8 Row 30 Exploded View)

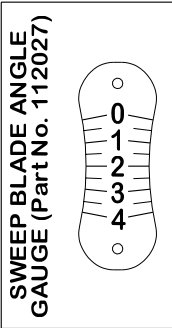
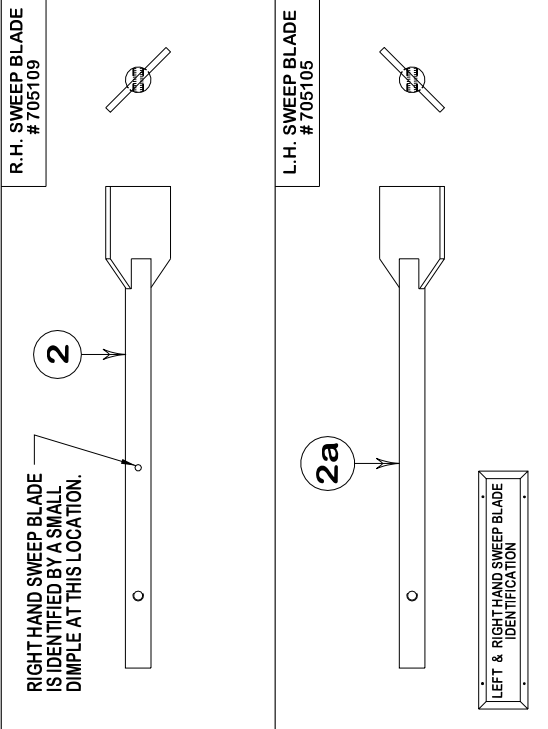
Parts List

<u>Item No.</u>	<u>Part No.</u>	<u>Description</u>
1.	705146	Main Mounting Tool Bar (8 row 30) 228"
2.	705215	Adjustable 3-point Hitch (19"–22" & 28"–30" row spacing)
2a.	705213	Bolt-on 3-Point Hitch Mount
3.	705030	Front Gauge Wheel Mount
4.	705034	R.H. Front Gauge Wheel Spindle Mount
5.	705035	L.H. Front Gauge Wheel Spindle Mount
6.	108057	6 on 6 Hub Assembly (includes: bearings, seals & cap)
7.	123024	16" Single Rib Tire Assembly (includes: 120016 & 123023)
8.	705015	Row Module Gauge Wheel Mount (no hold pin)
9.	705080	Row Module Gauge Wheel Mount (with hold pin)
10.	705232	Quick Adjust Depth Control Arm, Long (use on 28"–30" row spacing) (14" Long)
11.	705231	Quick Adjust Depth Control Arm, Short (use on 19"–22" row spacing) (7 1/2" Long)
12.	940177	Hub Axle (8 ³ / ₁₆ " long)
13.	705140	Row Module Gauge Wheel Spacer Bushing, Long (1 ⁵ / ₁₆ ")
14.	705141	Row Module Gauge Wheel Spacer Bushing, Short (1 ⁵ / ₁₆ ")
15.	123017	Wheel Assembly (includes: 120010 & 123016)
16.	108136	5 on 4.5 Hub Assembly (includes: bearings & seals)
17.	705010	Module Support Arm—R.H. Short
18.	705009	Module Support Arm—L.H. Long
19.	705129	R.H. Row Module Angle Adjustment
20.	705130	L.H. Row Module Angle Adjustment
21.	705139	Angle Adjustment Bushing (1 ¹⁵ / ₁₆ " Long)
22.	108136	5 on 4.5 Hub Assembly (includes: bearing & seals)
23.	705099	L.H. Adjustable Row Module (Complete) (16 Blade)
24.	705100	R.H. Adjustable Row Module (Complete) (16 Blade)
25.	705135	L.H. Row Module Angle Adj. Assem. (incl. 705130, 705139, 108136, 112028)
26.	705134	R.H. Row Module Angle Adj. Assem. (incl. 705129, 705139, 108136, 112028)
*27.	705142	Complete Row Module Gauge Wheel Mount Assembly (no hold pin)
*28.	705143	Complete Row Module Gauge Wheel Mount Assembly (with hold pin)
29.	705144	Complete L.H. Row Module—Support Assembly (16 Blade)
30.	705145	Complete R.H. Row Module—Support Assembly (16 Blade)

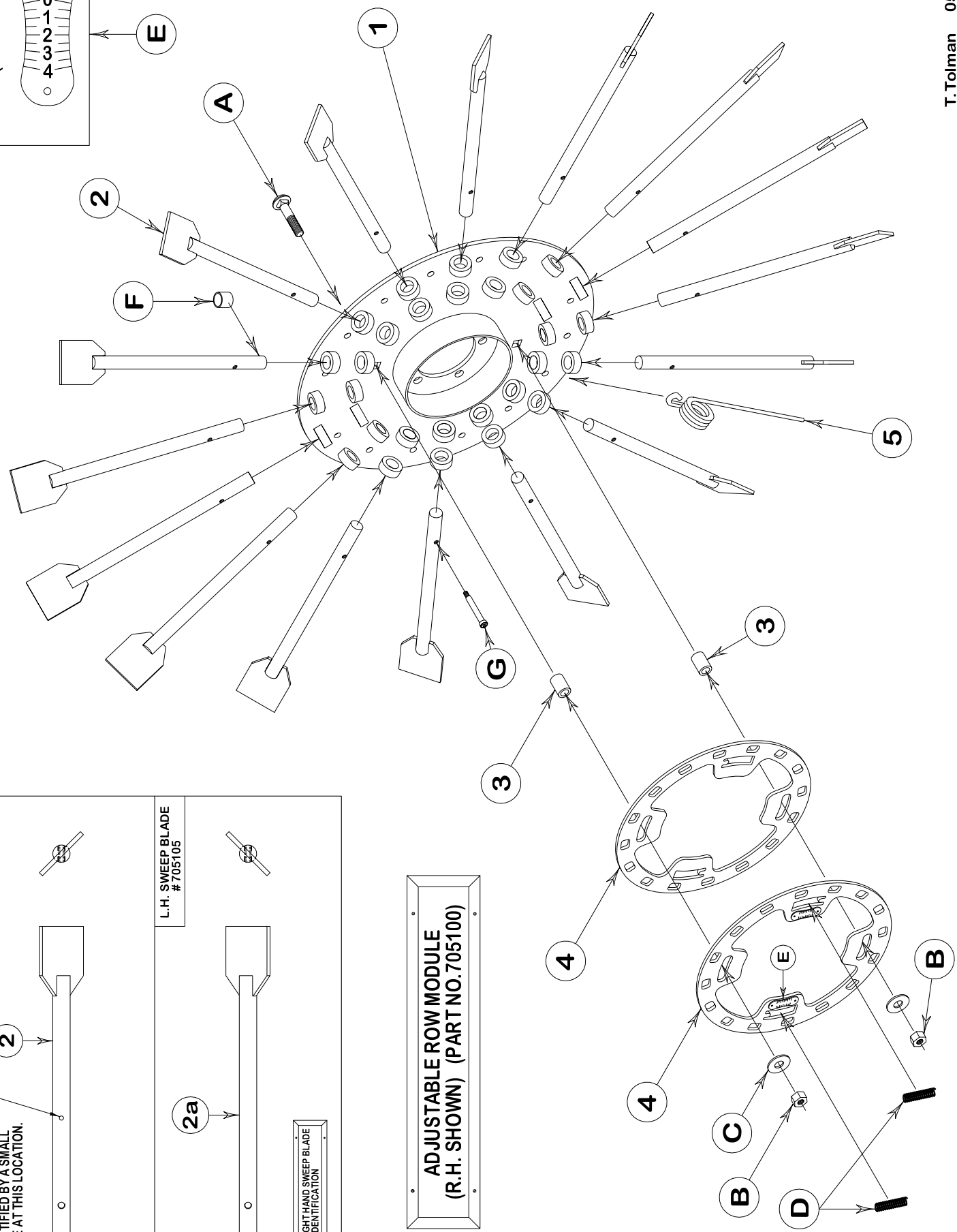
Hardware List

<u>Item No.</u>	<u>Part No.</u>	<u>Description</u>
A.	106009	3/4" x 9" NC Hex Bolt—Grade 8 (for use on all mounts)
B.	118010	3/4" x 6" NC Eye Bolt—Grade 8 (for use on all mounts)
C.		3/4" Lock Washer (for use on all mounts)
D.		3/4" NC Hex Nut—Grade 8 (for use on all mounts)
E.		1" NF Castellated Hex Nut
F.	112028	Row Module Angle Gauge
G.	705079	Parking Stand Hold Pin

*State row width when ordering, so the proper length of Depth Control Arms can be sent.



**ADJUSTABLE ROW MODULE
(R.H. SHOWN) (PART NO. 705100)**



Adjustable Row Module (16 Blade, Shown)

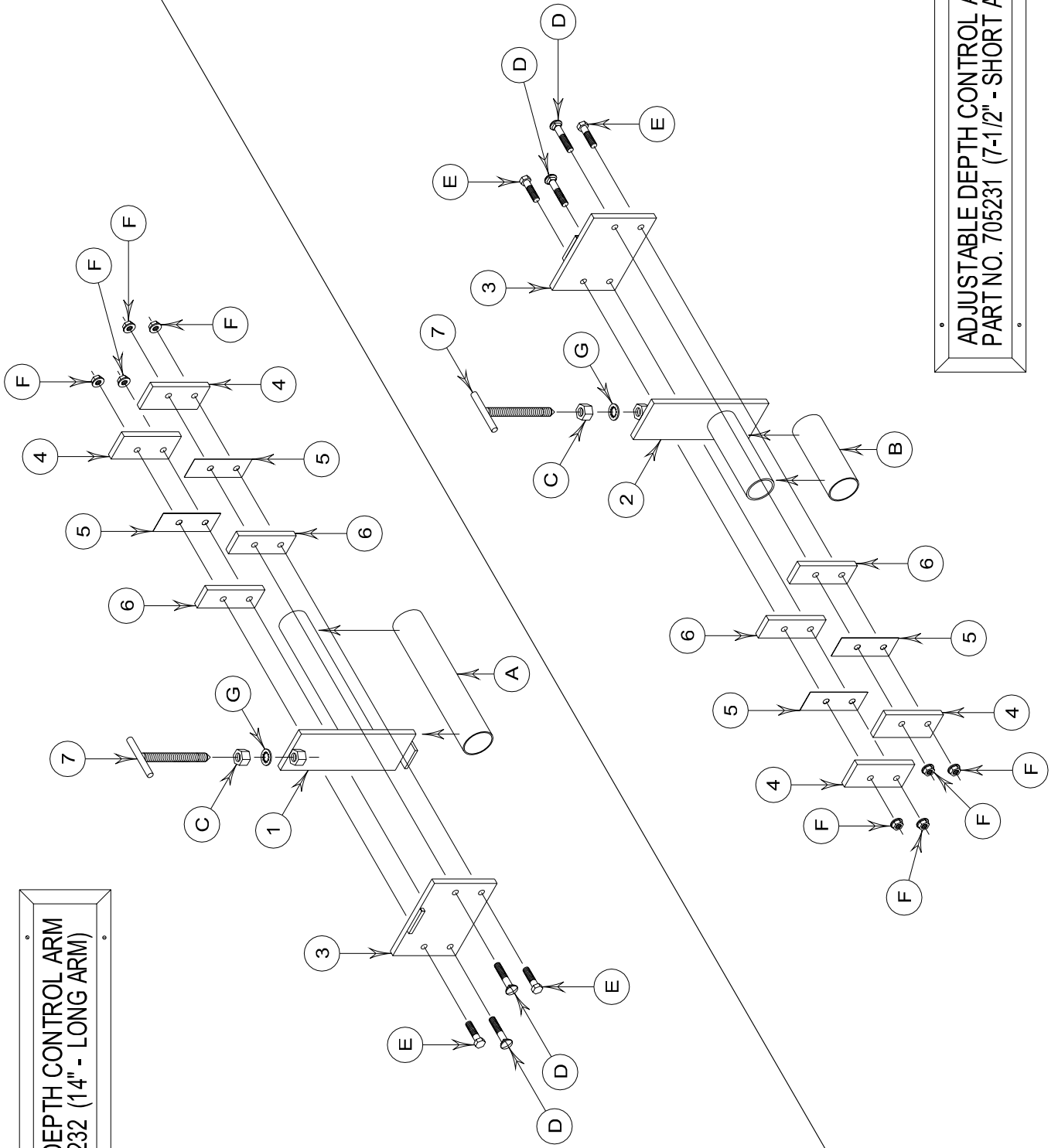
Parts List

<u>Item No.</u>	<u>Part No.</u>	<u>Qty</u>	<u>Description</u>
1.	705131	1	Module Base Plate (16 Blade)
1a.	705237	1	Module Base Plate (22 Blade) not shown
2.	705109	16	R.H. Adjustable Sweep Blade
2a.	705105	16	L.H. Adjustable Sweep Blade
3.	705107	2	Slide Plate Spacer Bushing
4.	705108	2	Adjustable Slide Plate (16 Blade)
4a.	705226	2	Adjustable Slide Plate (22 Blade) not shown
5.	119168	16	Base Plate Sweep Spring (Optional) (16 Blade)
Not Shown	705100	1	R.H. Complete Adjustable Row Module (16-blade)
Not Shown	705099	1	L.H. Complete Adjustable Row Module (16-blade)
Not Shown	705235	1	R.H. Complete Adjustable Row Module (22-blade)
Not Shown	705236	1	L.H. Complete Adjustable Row Module (22-blade)

Hardware

<u>Item</u>	<u>Part No.</u>	<u>Qty</u>	<u>Description</u>
A.		2	1/2" x 2 1/2" NC Carriage Bolt
B.		2	1/2" NC Center Lock Nut
C.		2	1/2" Flat Washer
D.	119157	2	Slide Plate Compression Spring
E.	112027	2	Sweep Blade Angle Gauge
F.	103103	16	Sweep Blade Spacer Cap
G.	102092	16	3/8" x 1 1/2" NC Shoulder Bolt (5/16" NC Threads)
H.	Not Shown	16	3/8" x 1 1/4" NC Carriage Bolt (for use on item No. 5)
I.	Not Shown	16	3/8" NC Whiz Nut (for use on item No. 5)

ADJUSTABLE DEPTH CONTROL ARM
PART NO. 705231 (7-1/2" - SHORT ARM)



ADJUSTABLE DEPTH CONTROL ARM
PART NO. 705232 (14" - LONG ARM)

Adjustable Depth Control Arm (Part No's 705232 & 705231)

Parts List

<u>Item No.</u>	<u>Part No.</u>	<u>Description</u>
1.	705258	Adjustable Arm (long) (14" pipe)
2.	705245	Adjustable Arm (short) (7 1/2" pipe)
3.	705255	Back Plate
4.	705251	Capture Plate
5.	705249	Spacer Plate
6.	705248	Slide Plate
7.	705250	T-Handle
8.	705232	Complete Adjustable Depth Control Arm (long) (14" pipe)
9.	705231	Complete Adjustable Depth Control Arm (short) (7 1/2" pipe)

Hardware List

<u>Item No.</u>	<u>Part No</u>	<u>Description</u>
A.	108211	Hose, Depth Control Arm (12" long) (used for shock absorption)
B.	108212	Hose, Depth Control Arm (6" long) (used for shock absorption)
C.		3/4" Acme Threaded Nut
D.		1/2" x 2 1/2" NC Carriage Bolt
E.		1/2" x 2" NC Hex Bolt
F.		1/2" NC Whiz Nut
G.		3/4" Internal Tooth Washer



Pickett Equipment

976 East Main Street * Phone: 208-678-0855 * www.pickettequipment.com
Burley, Idaho 83318 * Fax: 208-678-1404 * pickett@rvmi.com