

# Double Master Plus Combine

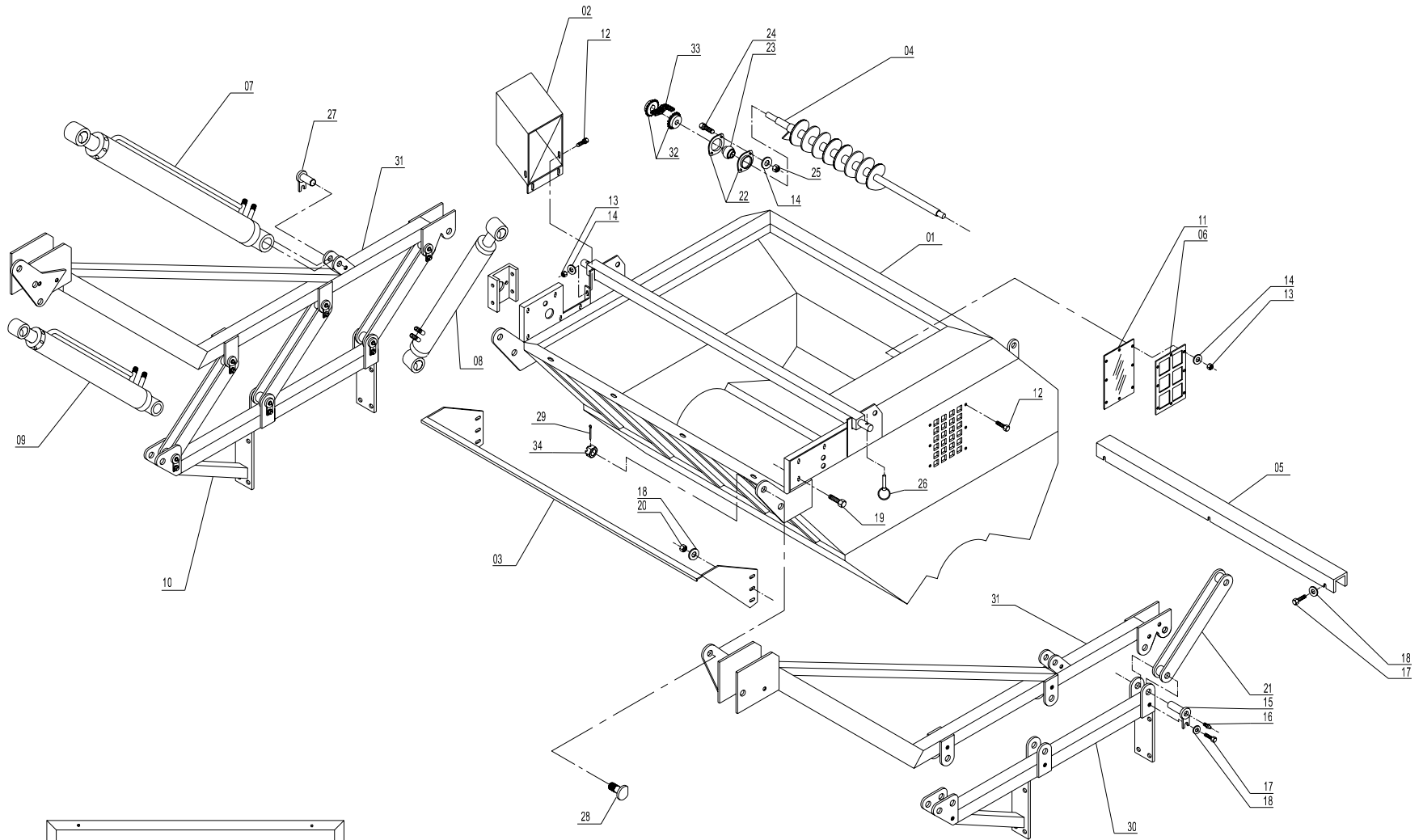
**Dump Bin**

**Section 4**

---

Dump Bin (2001 – 2009) .....	2-3
Dump Bin (2010 – Present).....	4-5

Return to this page by clicking the upper right corner of any page in this section.



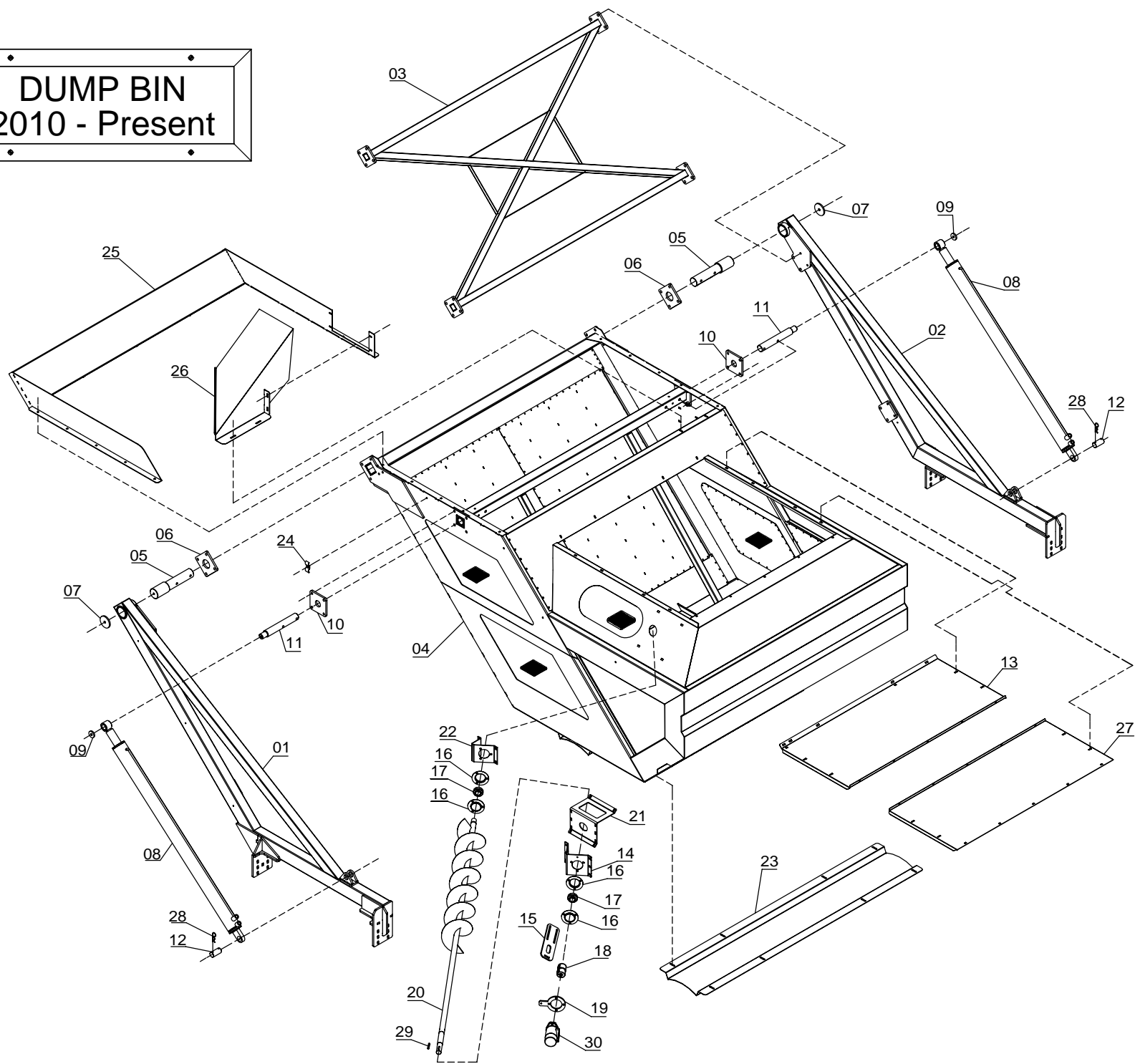
DUMP BIN ASSEMBLY

## DMP Dump Bin (2001 – 2009)

### Parts List

<u>Item</u>	<u>Part No.</u>	<u>Qty</u>	<u>Description</u>
00.	3.501.0008-1	1	Dump Bin, Complete
01.	3.503.0054-9	1	Dump Bin
02.	028.555-4	1	Chute
03.	3.503.0052-4	1	Dump Bin Side Lip
04.	021.392-6	1	Leveling Auger
05.	3.504.0183-1	2	Hydraulic Hose Shield
06.	3.504.0182-3	1	Bin Level Grill
07.	3.919.0022-1	2	Hydraulic Ram 3 1/2" x 1065mm
07a.	119194		Seal Kit for Above Ram
08.	3.919.0195-6	2	Hydraulic Ram 3" x 641mm LH
09.	3.919.0023-8	2	Hydraulic Ram 3" x 641mm RH
09a.	119193		Seal Kit for above rams
10.	3.502.0008-4	1	Lower Rear Lift System
11.	3.823.0010-8	1	Bin Level Window
12.	3.901.0073-3	30	Hex Bolt, 5/16" x 3/4"
13.	3.902.0015-2	30	Hex Nut, 5/16"
14.	3.934.0004-4	30	Flat Washer, 5/16"
15.	3.503.0025-7	12	Vertical Lift Arm Pins
16.	3.905.0004-7	12	Grease Zerk, 1/4"
17.	3.901.0066-9	26	Hex Bolt, 3/8" x 3/4"
18.	3.934.0003-3	26	Flat Washer, 3/8"
19.	3.901.0057-1	12	Hex Bolt, 3/8" x 1"
20.	3.902.0014-4	24	Hex Nut, 3/8"
21.	3.503.0018-4	6	Vertical Lift Arm
22.	106013	2	Flangette, 52 MST
23.	102005	2	Bearing, 1" Insert
24.	3.901.0100-8	4	Carriage Bolt, M8 x 30mm
25.	3.902.0008-8	4	Nylon Lock Nut, M8
26.	3.906.0013-9	2	Lynch Pin 1/4"
27.	3.503.0032-1	2	Ram Pin
28.	3.507.0035-7	2	Dump Bin Pivot Pin
29.	3.906.0011-4	2	Cotter Pin, 3/16" x 3"
30.	3.503.0075-1	1	Lower Front Lift System
31.	3.503.0074-3	2	Upper Lift System
32.	103127	2	Sprocket, Leveling Auger Chain Coupler 1"
33.	103128	1	Chain Coupler, Leveling Auger
34.	3.902.0004-7	2	Slotted Hex Nut, 1 1/2" NF

DUMP BIN  
2010 - Present



## DMP Dump Bin (2010 - Present)

<b>Parts List</b>			
<b>Item</b>	<b>Part No.</b>	<b>Qty</b>	<b>Description</b>
1.	106.082-0	1	Front Dump Bin Lift Frame
2.	106.089-6	1	Rear Dump Din Lift Frame
3.	037.952-6	1	Dump Bin Lift Frame Cross Brace
4.	106.056-1	1	Dump Bin
5.	058.263-7	2	Dump Bin Pivot Pin
6.	032.076-8	2	Dump Bin Pivot Pin Mount
7.	020.401-0	2	Dump Bin Pivot Pin Flat Washer
8.	036.740-7	2	Hydraulic Cylinder, 3 1/2" x 2 1/4" x1340mm
8a.	119335		Seal Kit For Item 8.
9.	036.302-4	2	Upper Hydraulic Cylinder Pin Flat Washer
10.	071.029-0	2	Upper Hydraulic Cylinder Pin Mount
11.	024.938-2	2	Upper Hydraulic Cylinder Pin
12.	009.343-3	2	Lower Hydraulic Cylinder Pin
13.	106.092-5	1	Right Bin Cover Plate
14.	106.093-9	1	Leveling Auger Bearing Mount
15.	034.623-0	1	Bolt on Hydraulic Motor Mount
16.	106049	2	Flangette, 72 MS
17.	102100	2	Bearing, Insert 35mm
18.	103155	1	Split Coupler 1" x 35mm
19.	005.382-2	1	Hydraulic Motor Mount
20.	106.090-8	1	Leveling Auger
21.	106.094-2	1	Leveling Auger Front Mount
22.	106.096-0	1	Leveling Auger Rear Mount
23.	050.215-0	1	Concave Top Cover
24.	072.836-3	7	Hose Clamp
25.	106.107-8	1	Dump Bin Extension
26.	105.984-0	1	Dump Bin Chute
27.	107.566-0	1	Left Bin Cover Plate
28.	032.208-5	4	Hair Pin
29.	111008		Keystock, 10mm x 8mm (1 foot)
30.	113041 119109	1	Hydraulic Motor, Leveling Auger Seal Kit, Leveling Auger Motor